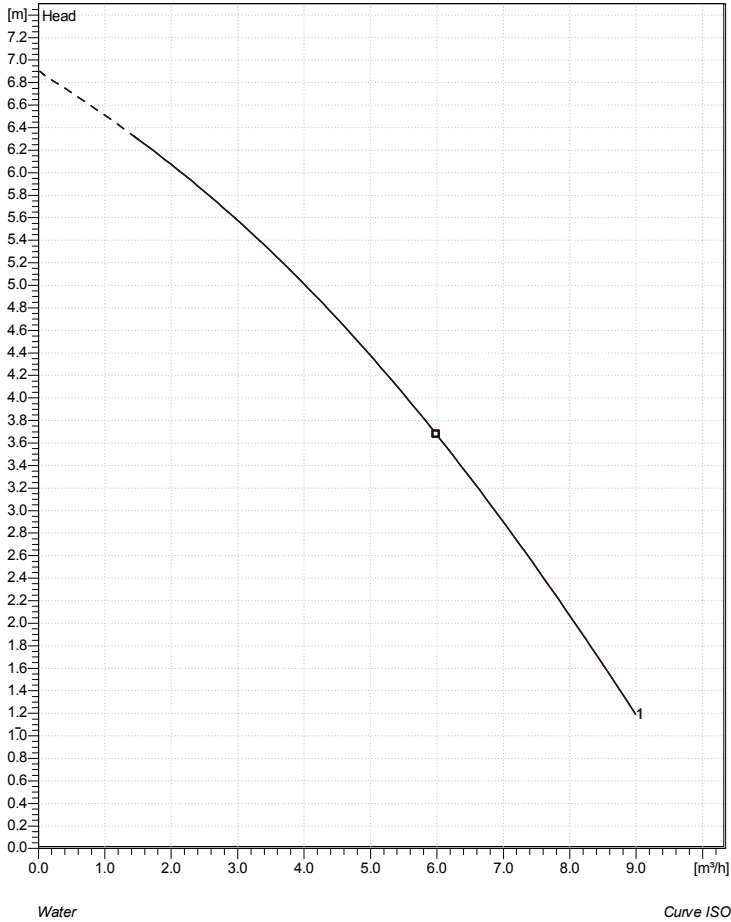


## SXM 2

RSK 5890079



### Technical specification



Note: Picture might not correspond to the current configuration.

#### Impeller

Outlet diameter	0 mm
Inlet diameter	
Impeller diameter	0 mm
Number of blades	0

#### Motor

Motor #	SA 25M63D
Stator variant	
Frequency	50 Hz
Rated voltage	230 V
Number of poles	2
Phases	1~
Rated power	0.25 kW
Rated current	1.43 A
Starting current	0 A
Rated speed	2900 rpm

Power factor	
1/1 Load	
3/4 Load	
1/2 Load	

Efficiency	
1/1 Load	
3/4 Load	
1/2 Load	

Installation: Pump with float switch

**Project:**

**Project ID:**

**Date:**

## SXM 2

### Performance curve

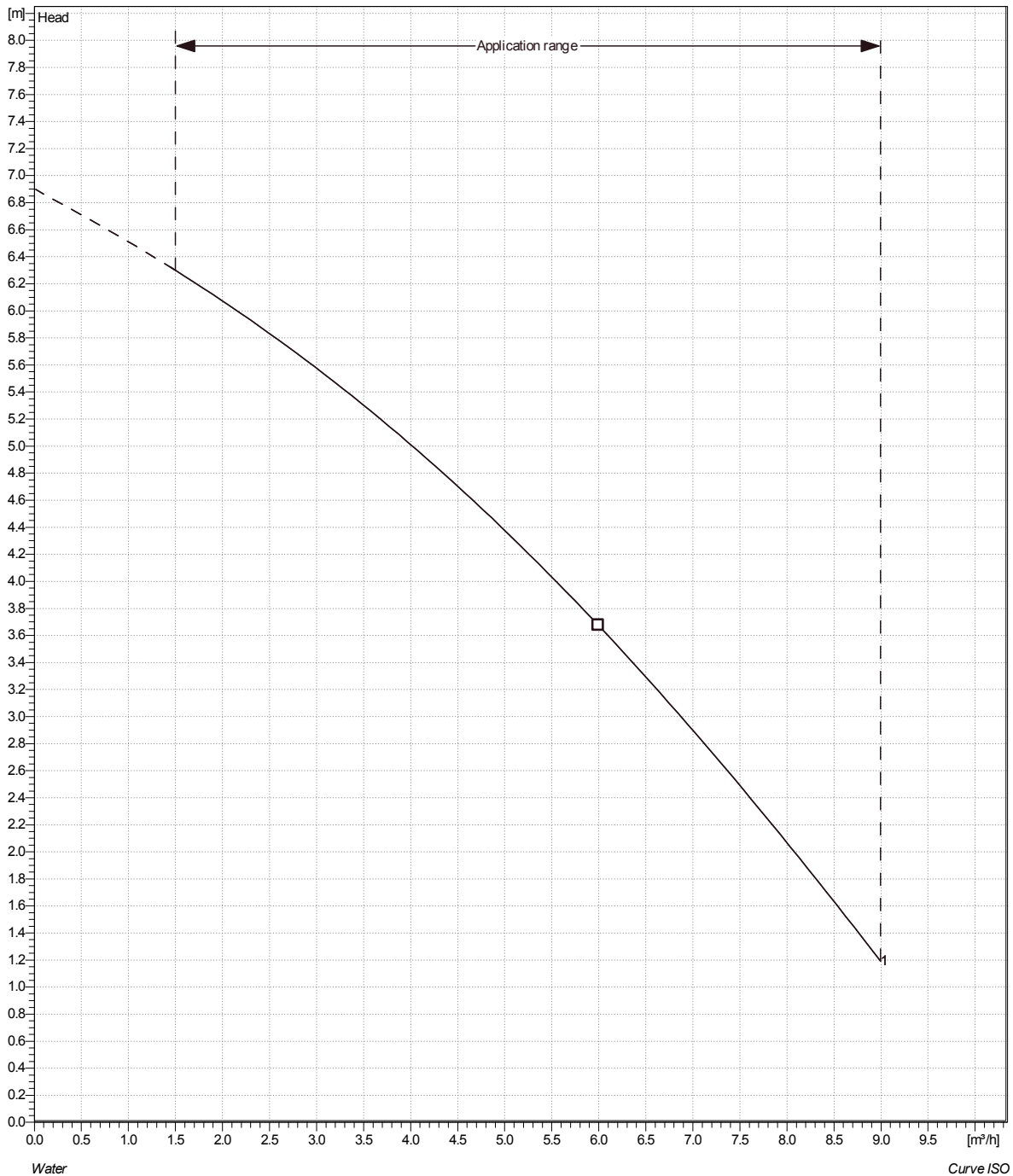
#### Pump

Outlet diameter 0 mm  
Inlet diameter 0 mm  
Impeller diameter 0 mm  
Number of blades 0

#### Motor

Motor # SA 25M63D  
Stator variant  
Frequency 50 Hz  
Rated voltage 230 V  
Number of poles 2  
Phases 1~  
Rated power 0.25 kW  
Rated current 1.43 A  
Starting current 0 A  
Rated speed 2900 rpm

Power factor  
1/1 Load  
3/4 Load  
1/2 Load  
Efficiency  
1/1 Load  
3/4 Load  
1/2 Load

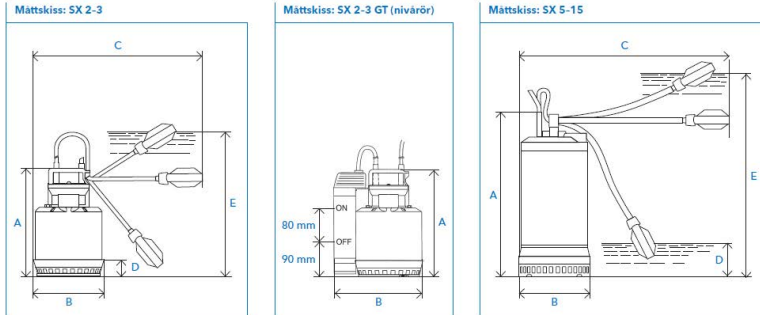


## SXM 2

## Installation: Pump with float switch



### Dimensional drawing



D = Miniminivå E = Lägsta startnivå

Pumptyp	RSK-nr	Nivåvippanivårör	Effekt kW	Märkström		Max tryckhöjd	Max flöde l/min	Pumputlopp inv. gänga, a	Max temp. vid utlopp	Max nedsläkningsslup	Vikt	Mått i mm (se skiss)				
				1-fas, 230 V	3-fas, 400 V							A	B	C	D	E
SXM 2	589 00 79	• -	0,25	1,4 A	-	6,5 m	135	1 1/4" (32 mm)	40°	5 m	4 kg	245	155	390	50	330
SXM 2 GT	589 00 90	- •	-	-	-	-	-	-	-	-	-	245	200	-	-	-
SXM 3	589 00 80	• -	0,55	3,0 A	-	11 m	225	1 1/4" (32 mm)	40°	5 m	6 kg	285	155	390	90	370
SXM 3 GT	589 00 92	- •	-	3,0 A	-	-	-	-	-	-	-	285	200	-	-	-
SXM 5	589 00 72	• -	0,55	3,9 A	-	11 m	225	1 1/4" (32 mm)	50°	7 m	12 kg	343	178	459	80	425
SXM 7	589 00 81	• -	0,75	6,2 A	-	14 m	325	1 1/4" (32 mm)	50°	7 m	14,5 kg	358	178	484	80	485

**Project:**  
**Project ID:**  
**Date:**