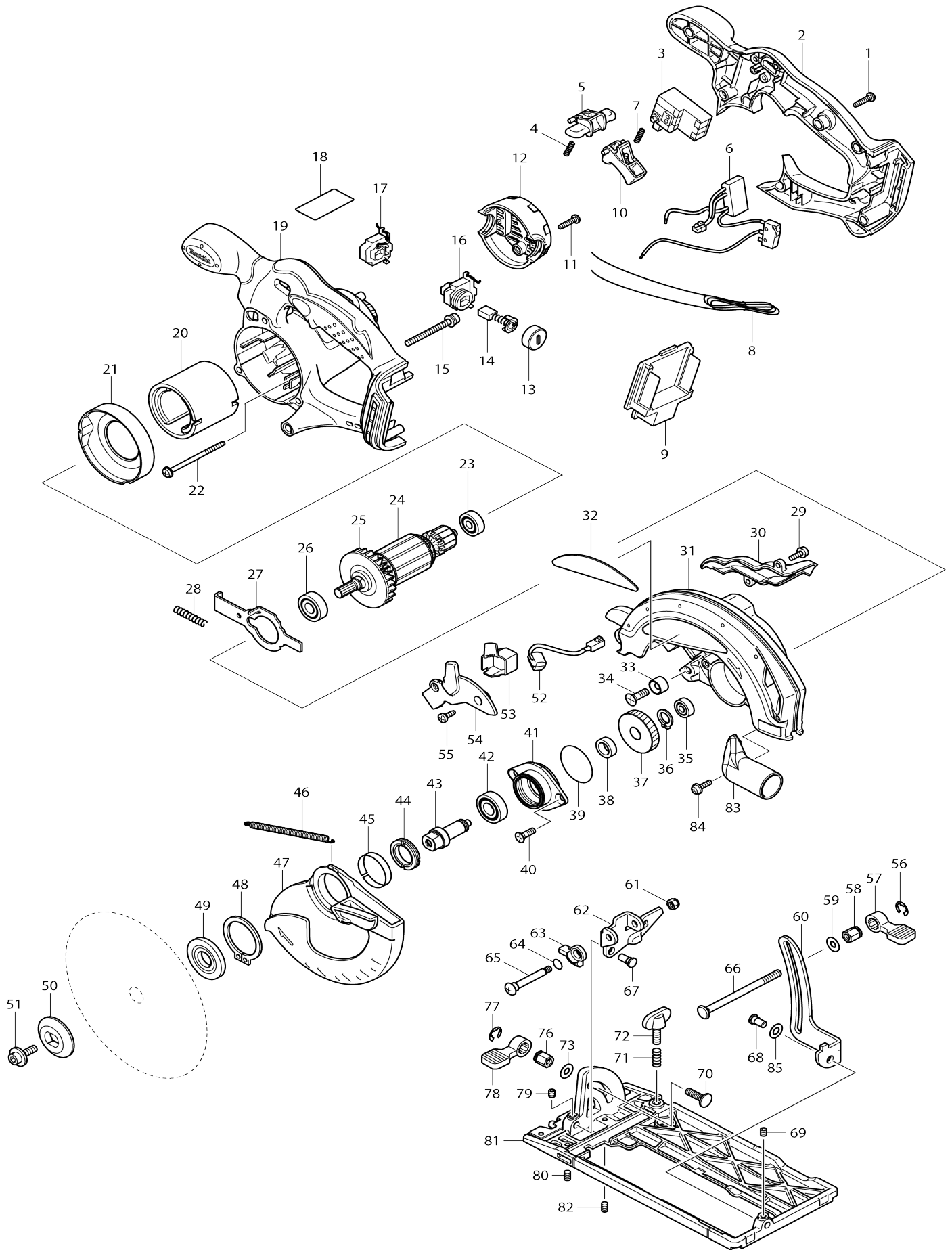


Model No.DSS610 CORDLESS CIRCULAR SAW 165MM



Model No.DSS610 CORDLESS CIRCULAR SAW 165MM

| Item No. | Parts No. | Description | Interchangeability | Q'ty | New/Old | Note1 | Note2 |
|----------|-----------|-----------------------------|--------------------|------|---------|-------|-------|
| 001 | 265995-6 | TAPPING SCREW 4X18 | | 6 | * | | |
| 001-1 | 266326-2 | TAPPING SCREW 4X18 | O | 6 | | | |
| 002 | 141470-5 | HANDLE COVER COMPLETE | | 1 | | | |
| 003 | 650631-1 | SWITCH | | 1 | | | |
| 004 | 231469-9 | COMPRESSION SPRING 4 | | 1 | | | |
| 005 | 419322-1 | LOCK OFF LEVER | | 1 | | | |
| 006 | 620088-0 | POWER SUPPLY CIRCUIT | | 1 | | | |
| 007 | 231469-9 | COMPRESSION SPRING 4 | | 1 | | | |
| 009 | 644808-8 | TERMINAL | | 1 | | | |
| 010 | 419176-6 | SWITCH LEVER | | 1 | | | |
| 011 | 265995-6 | TAPPING SCREW 4X18 | | 2 | * | | |
| 011-1 | 266326-2 | TAPPING SCREW 4X18 | O | 2 | | | |
| 012 | 419281-9 | REAR COVER | | 1 | | | |
| 013 | 643941-3 | BRUSH HOLDER CAP | | 2 | | | |
| 014 | 194435-6 | CARBON BRUSH CB-441 | | 1 | * | | |
| 014-1 | 195022-4 | CARBON BRUSH SET CB-441 | O | 1 | | | |
| 015 | 911263-2 | PAN HEAD SCREW M5X40 | | 3 | | | |
| 016 | 643882-3 | BRUSH HOLDER | | 1 | | | |
| 017 | 643883-1 | BRUSH HOLDER | | 1 | | | |
| 018 | 815E89-3 | DSS610 NAME PLATE | | 1 | | | |
| 019 | 141471-3 | MOTOR HOUSING COMPLETE | | 1 | | | |
| 020 | 638107-8 | YOKE UNIT | | 1 | | | |
| 021 | 419285-1 | BAFFLE PLATE | | 1 | | | |
| 022 | 266292-3 | TAPPING SCREW 4X65 | | 2 | | | |
| 023 | 210023-2 | BALL BEARING 627DDW | | 1 | * | | |
| 023-1 | 210193-7 | BALL BEARING 627DDW | > | 1 | | | |
| 024 | 519173-3 | ARMATURE ASS'Y 18V | | 1 | * | | |
| D10 | | INC. 23,25,26 | | | | | |
| 024-1 | 510585-3 | ARMATURE ASS'Y 18V | > | 1 | | | |
| D10 | | INC. 23,25,26 | | | | | |
| 025 | 241869-5 | FAN 55 | | 1 | | | |
| 026 | 211061-7 | BALL BEARING 6000LLB | | 1 | * | | |
| 026-1 | 210192-9 | BALL BEARING 6000LLB | O | 1 | | | |
| 027 | 346059-6 | SHAFT LOCK | | 1 | | | |
| 028 | 233092-6 | COMPRESSION SPRING 5 | | 1 | | | |
| 029 | 911118-1 | PAN HEAD SCREW M4X12 | | 2 | | | |
| 030 | 419284-3 | BLOWER NOZZLE | | 1 | | | |
| 031 | 188045-9 | BLADE CASE SET | | 1 | | | |
| C10 | 213434-0 | O RING 26 | | 1 | | | |
| D10 | | INC. 32 | | | | | |
| 032 | 819217-2 | MAKITA LOGO PLATE | | 1 | | | |
| 033 | 262049-0 | RUBBER RING 6 | | 1 | | | |
| 034 | 251368-9 | + COUNTERSUNK SCREW M6 | | 1 | * | | |
| 034-1 | 265694-0 | + COUNTERSUNK HEAD SCREW M6 | O | 1 | | | |
| 035 | 210028-2 | BALL BEARING 606ZZ | | 1 | | | |
| 036 | 961052-5 | RETAINING RING (EXT) S-12 | | 1 | | | |
| 037 | 227156-6 | SPUR GEAR 52 | | 1 | | | |

| | | | | | | |
|-------|----------|-----------------------------------|---|---|---|--|
| 038 | 257173-2 | RING 12 | | 1 | | |
| 039 | 213512-6 | O RING 39 | | 1 | | |
| 040 | 265034-2 | + COUNTERSUNK HEAD SCREW M5X16 | | 2 | | |
| 041 | 318009-1 | BEARING BOX | | 1 | | |
| 042 | 211131-2 | BALL BEARING 6001DDW | | 1 | * | |
| 042-1 | 210216-1 | BALL BEARING 6001DDW | > | 1 | | |
| 043 | 324626-7 | SPINDLE | | 1 | * | |
| 043-1 | 327A37-1 | SPINDLE | < | 1 | | |
| 044 | 285845-9 | BEARING RETAINER 19-29 | | 1 | | |
| 045 | 345469-4 | THICKNESS RING | | 1 | | |
| 046 | 231821-1 | TENSION SPRING 3 | | 1 | | |
| 047 | 419286-9 | SAFETY COVER | | 1 | | |
| 048 | 961152-1 | RETAINING RING (EXT) S-34 | | 1 | | |
| 049 | 224397-5 | INNER FLANGE 40 | | 1 | | |
| 050 | 224282-2 | OUTER FLANGE 40 | | 1 | | |
| 051 | 266133-3 | HEX. SOCKET HEAD BOLT M6X20 | | 1 | | |
| 052 | 631694-6 | LED CIRCUIT | | 1 | | |
| 053 | 419341-7 | CONNECTOR BOX | | 1 | | |
| 054 | 419282-7 | LIGHT COVER | | 1 | | |
| 055 | 266026-4 | TAPPING SCREW BIND CT 4X12 | | 2 | | |
| 056 | 961014-3 | STOP RING E-8 | | 1 | | |
| 057 | 272229-0 | LEVER 40 | | 1 | | |
| 058 | 252158-3 | HEX.NUT M6 | | 1 | | |
| 059 | 941151-9 | FLAT WASHER 6 | | 1 | | |
| 060 | 345658-1 | DEPTH GUIDE | | 1 | | |
| 061 | 252103-8 | HEX. LOCK NUT M5-8 | | 1 | | |
| 062 | 345657-3 | ANGULAR GUIDE | | 1 | | |
| 063 | 317986-4 | STOPPER | | 1 | | |
| 064 | 213062-1 | O RING 9 | | 1 | | |
| 065 | 265084-7 | + TRUSS HEAD SCREW M5 | | 1 | | |
| 066 | 266194-3 | FLAT HEAD SCREW M6X90 | | 1 | | |
| 067 | 256480-0 | SHOULDER PIN 6-7 | | 1 | | |
| 068 | 256480-0 | SHOULDER PIN 6-7 | | 1 | | |
| 069 | 266264-8 | H.S.SET SCREW(FLAT POINT)M5X 6 | | 1 | | |
| 070 | 251919-8 | CAP SQUARE NECK BOLT M6X20 | | 1 | | |
| 071 | 231007-7 | COMPRESSION SPRING 6 | | 1 | | |
| 072 | 251896-4 | SCREW M5X20 | | 1 | | |
| 073 | 941151-9 | FLAT WASHER 6 | | 1 | | |
| 076 | 252133-9 | HEX. NUT M6 | | 1 | | |
| 077 | 961014-3 | STOP RING E-8 | | 1 | | |
| 078 | 272251-7 | LEVER 30 | | 1 | | |
| 079 | 266264-8 | H.S.SET SCREW(FLAT POINT)M5X 6 | | 1 | | |
| 080 | 266229-0 | H.S.SET SCREW(CUP POINT)M5X8 | | 1 | | |
| 081 | 154832-8 | BASE COMPLETE | | 1 | | |
| C10 | 816851-9 | SCALE PLATE | | 1 | | |
| 082 | 266229-0 | H.S.SET SCREW(CUP POINT)M5X8 | | 1 | | |
| 083 | 419283-5 | DUST NOZZLE | | 1 | | |
| 084 | 911118-1 | PAN HEAD SCREW M4X12 | | 1 | | |
| 085 | 253186-1 | FLAT WASHER 7 | | 1 | | |

| | | | | | | |
|-------|-----------|------------------------------------|---|---|---|--|
| A01 | 164095-8 | GUIDE RULE | | 1 | | |
| A02 | 783203-8 | HEX. WRENCH 5 | | 1 | | |
| A03 | A-85101 | T.C.T.SAW BLADE 165X24TX20 | | 1 | | |
| A04 | 141353-9 | PLASTIC CARRYING CASE COMPL ETE | | 1 | | |
| C10 | 163455-1 | LATCH | | 2 | | |
| C20 | 419360-3 | HANDLE | | 1 | | |
| A05 | ***DC18RC | DC18RC FAST CHARGER | | 1 | | |
| A06 | 194204-5 | BATTERY BL1830 SET | | 1 | * | |
| A06-1 | 194204-5 | BATTERY BL1830 SET | O | 1 | * | |
| A06-2 | 197600-6 | BATTERY BL1830B SET | < | 1 | * | |
| A06-3 | 197600-6 | BATTERY BL1830B SET | O | 1 | | |
| A07 | 802U19-9 | DSS610RF PLASTIC CASE LABEL | | 1 | | |
| E01 | 620258-1 | CONTROLLER | | 1 | * | |
| E01-1 | 620G71-9 | CONTROLLER | < | 1 | | |
| E02 | 688163-8 | LINE FILTER | | 1 | | |
| F08-3 | 197606-4 | BATTERY BL1830B SET (2PIECES) | O | 1 | * | |
| F11-2 | 196235-0 | BATTERY BL1815N SET | O | 1 | | |
| F12-1 | 196449-1 | BATTERY BL1815N SET | O | 1 | | |
| F13-2 | 196449-1 | BATTERY BL1815N SET | O | 1 | | |
| A07 | 802U23-8 | DSS610RFE PLASTIC CASE LABEL | | 1 | * | |
| A08 | 450128-8 | BATTERY COVER | | 1 | | |
| A07 | 802U28-8 | DSS610RFE3 PLASTIC CASE LABE L | | 1 | | |
| A04 | 821551-8 | CONNECTOR PLASTIC CASE (TYP E3) | | 1 | | |
| C10 | 453974-8 | LATCH | | 4 | | |
| A07 | 837642-5 | INNER TRAY | | 1 | | |
| A09 | 802U09-2 | DSS610RFJ INDICATION LABEL | | 1 | | |
| A10 | 802U22-0 | DSS610RFJ PLASTIC CASE LABEL | | 2 | | |
| A05 | 837642-5 | INNER TRAY | | 1 | | |
| A06 | 802U10-7 | DSS610ZJ INDICATION LABEL | | 1 | | |
| A07 | 802U17-3 | DSS610ZJ PLASTIC CASE LABEL | | 2 | | |
| A06 | 196399-0 | BATTERY BL1840 SET | | 2 | * | |
| A06-1 | 196399-0 | BATTERY BL1840 SET | O | 2 | * | |
| A06-2 | 197265-4 | BATTERY BL1840B SET | < | 2 | * | |
| A06-3 | 197265-4 | BATTERY BL1840B SET | O | 2 | | |
| A09 | 803S46-7 | DSS610RMJ INDICATION LABEL | | 1 | | |
| A10 | 803S45-9 | DSS610RMJ PLASTIC CASE LABEL | | 2 | | |
| A06 | 803X42-5 | DSS610YJ INDICATION LABEL | | 1 | * | |
| A06-1 | 805U30-0 | DSS610Y1J INDICATION LABEL | < | 1 | | |
| A07 | 803X43-3 | DSS610YJ PLASTIC CASE LABEL | | 2 | * | |
| A07-1 | 805U31-8 | DSS610Y1J PLASTIC CASE LABEL | < | 2 | | |
| A08 | 196235-0 | BATTERY BL1815N SET | | 1 | * | |
| A08-1 | 196235-0 | BATTERY BL1815N SET | O | 1 | | |
| A06-2 | 197280-8 | BATTERY BL1850B SET | | 2 | * | |
| A06-3 | 197280-8 | BATTERY BL1850B SET | O | 2 | | |
| A09 | 808Y64-6 | DSS610RTJ INDICATION LABEL | | 1 | | |
| A10 | 808Y63-8 | DSS610RTJ PLASTIC CASE LABEL | | 2 | | |

Please state Parts No. when your order.

Print Date 08/28/2024