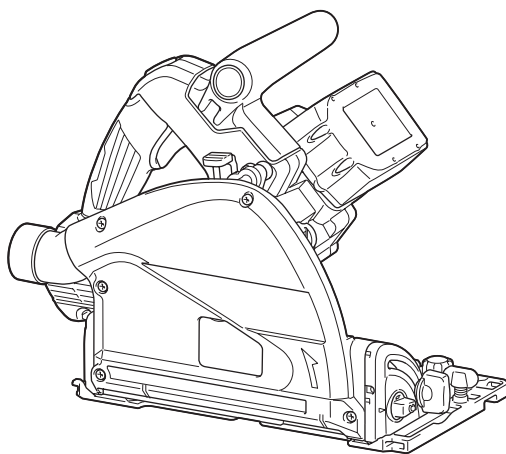




EN	Cordless Plunge Cut Saw	INSTRUCTION MANUAL	9
SV	Batteridrivnen dyksåg	BRUKSANVISNING	22
NO	Batteridrevet dykksag	BRUKSANVISNING	35
FI	Akkukäyttöinen upotussaha	KÄYTTÖOHJE	48
DA	Akku dyksav	BRUGSANVISNING	61
LV	Bezvadu iezāgēšanas zāģis	LIETOŠANAS INSTRUKCIJA	74
LT	Belaidis įleidžiamųjų pjūvių pjūklas	NAUDOJIMO INSTRUKCIJA	88
ET	Akuga vertikaaleddenihkega saag	KASUTUSJUHEND	101
RU	Акумуляторная Погружная Дисквая Пила	РУКОВОДСТВО ПО ЭКСПЛУАТАЦИИ	114

DSP600
DSP601



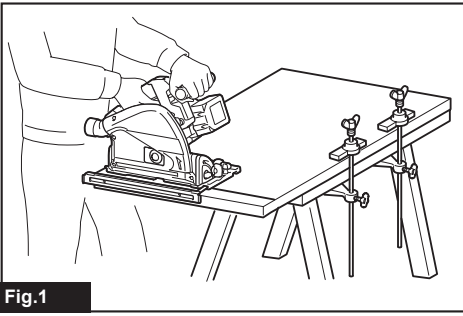


Fig.1

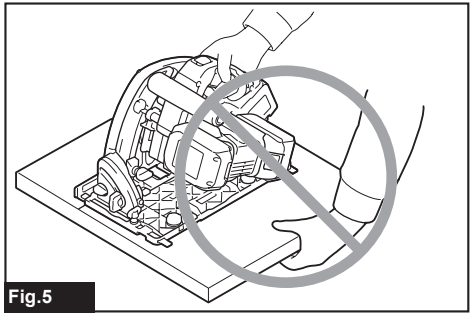


Fig.5

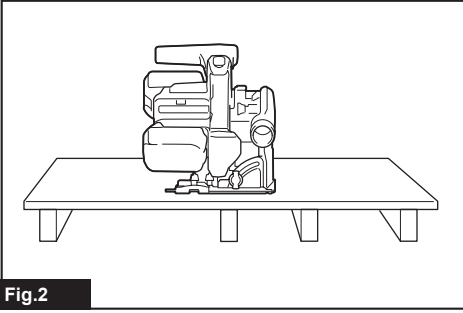


Fig.2

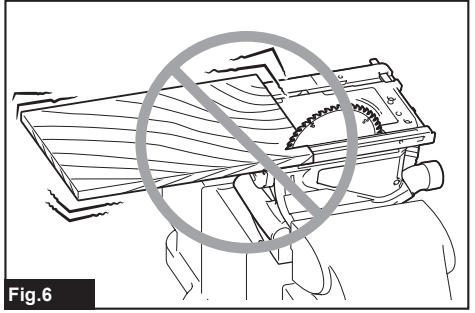


Fig.6

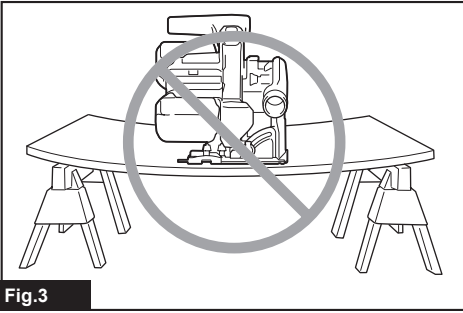


Fig.3

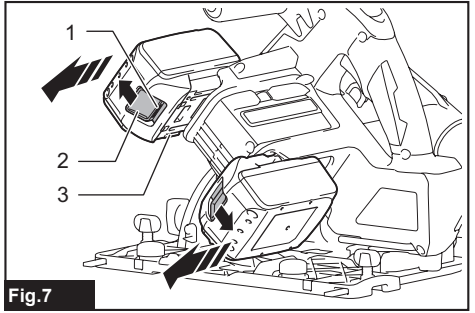


Fig.7

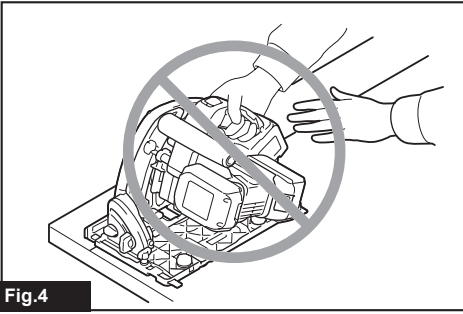


Fig.4

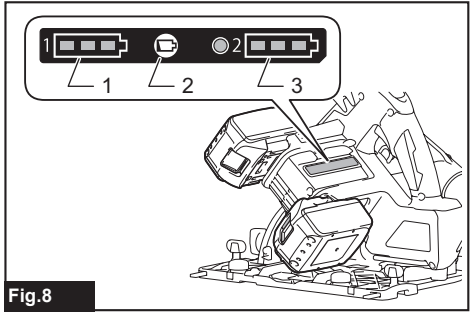


Fig.8

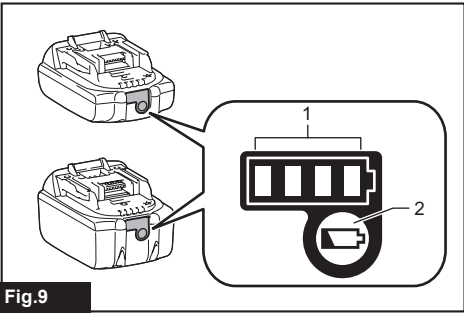


Fig.9

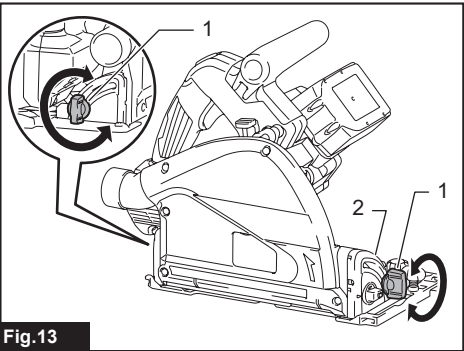


Fig.13

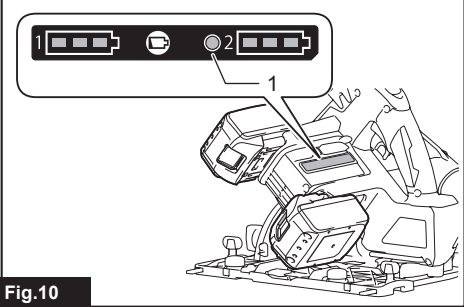


Fig.10

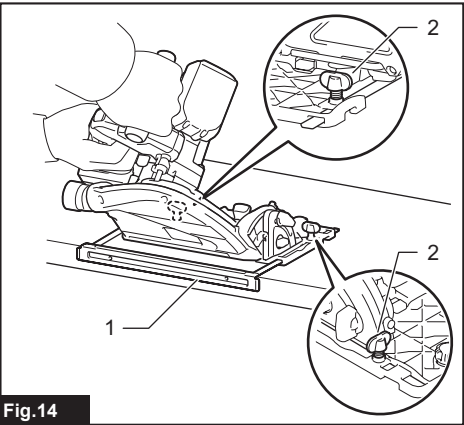


Fig.14

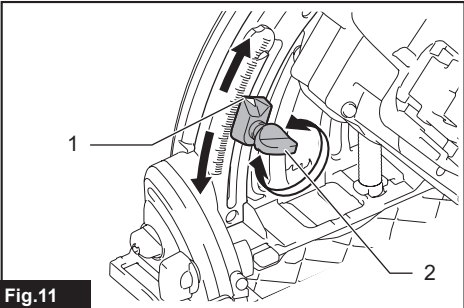


Fig.11

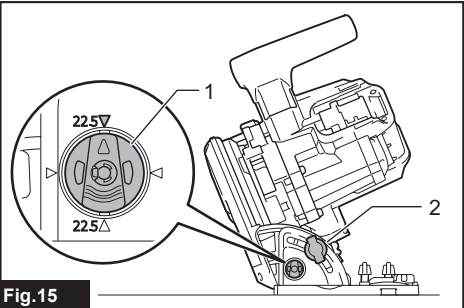


Fig.15

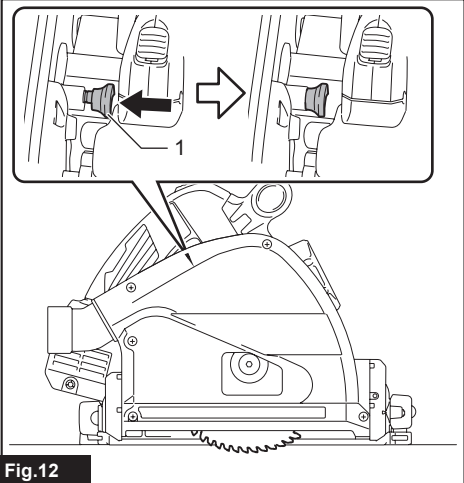


Fig.12

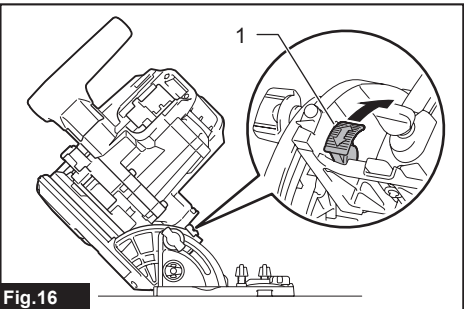
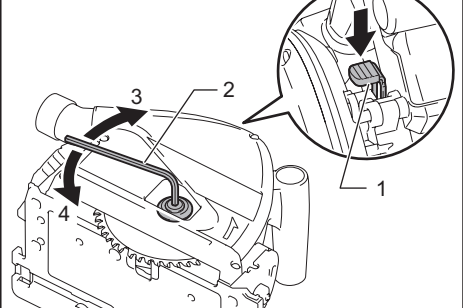
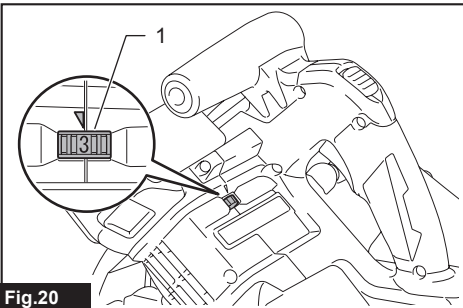
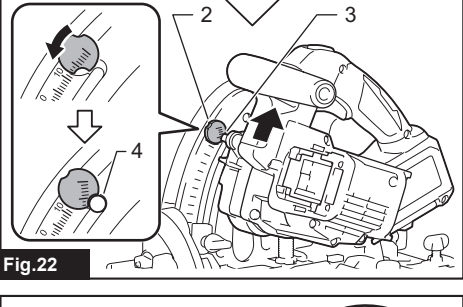
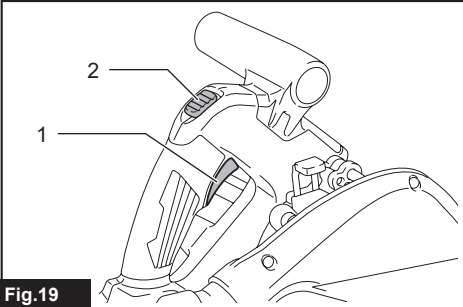
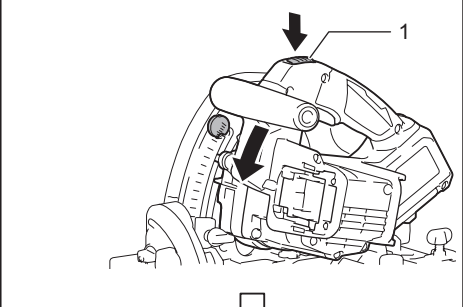
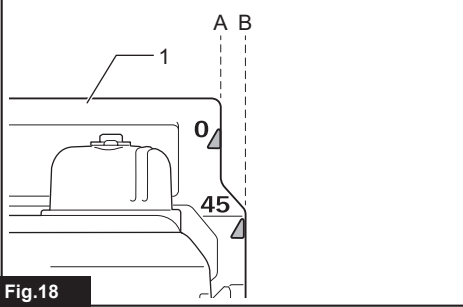
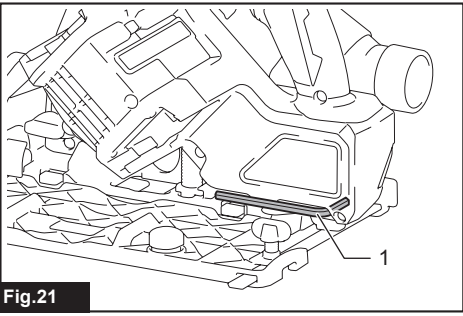
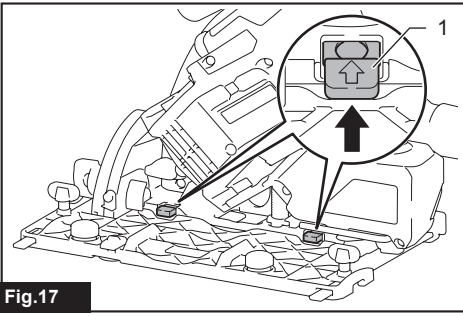


Fig.16



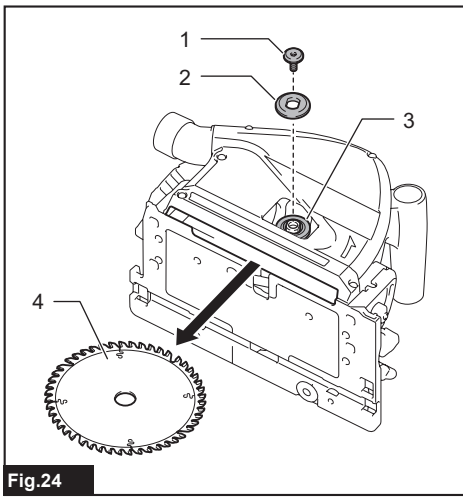


Fig. 24

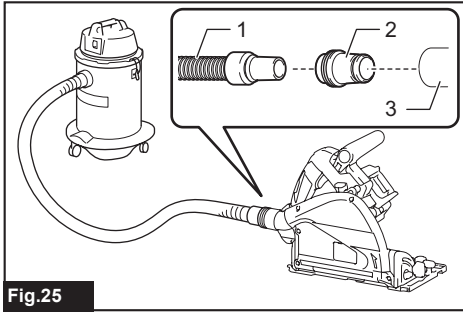


Fig. 25

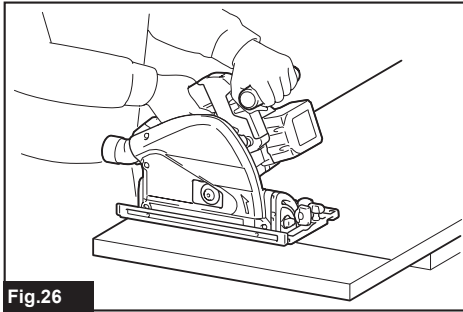


Fig. 26

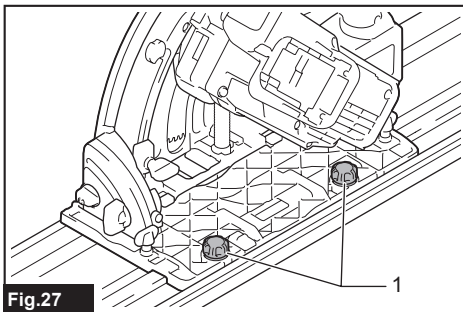


Fig. 27

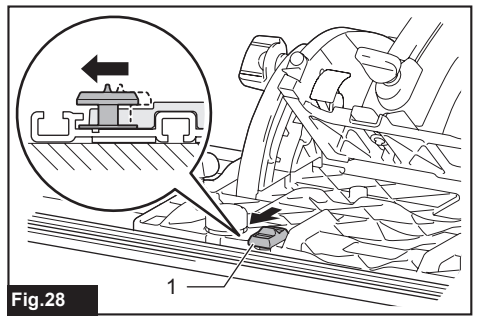


Fig. 28

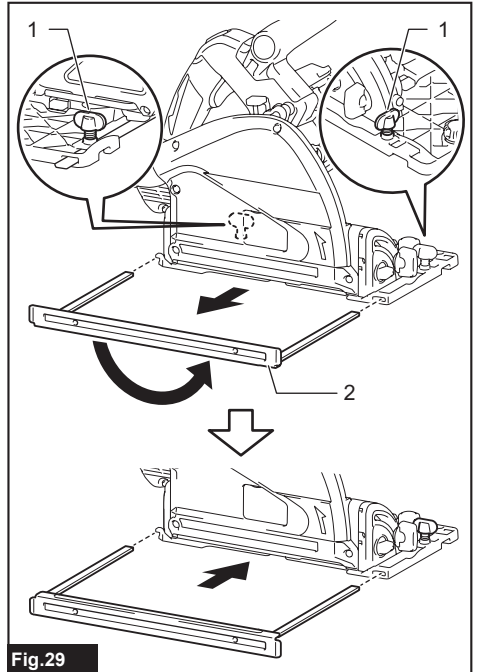


Fig. 29

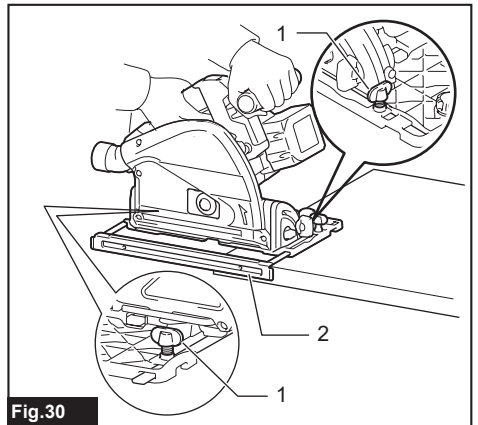


Fig. 30

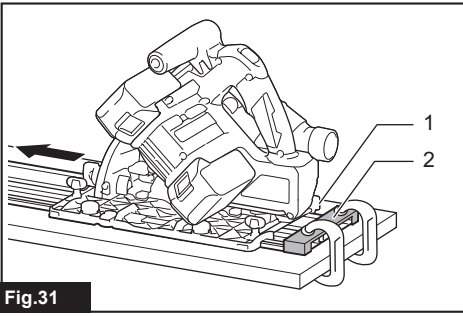


Fig.31

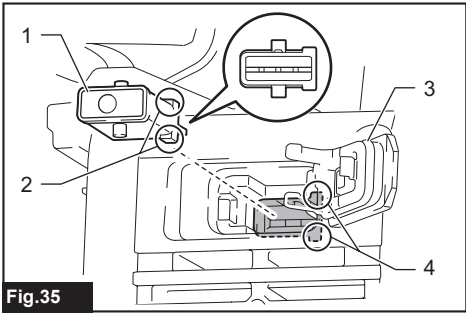


Fig.35

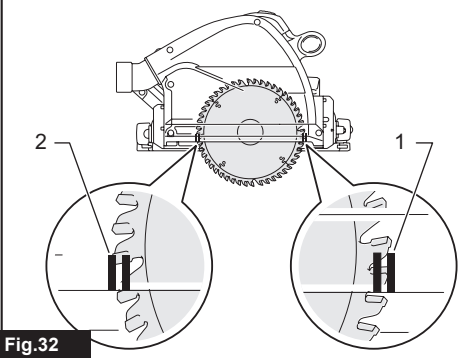


Fig.32

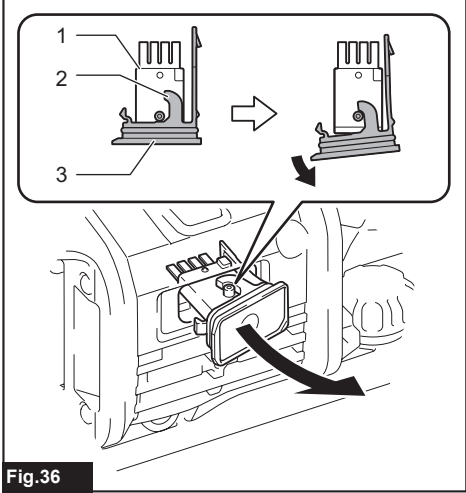


Fig.36

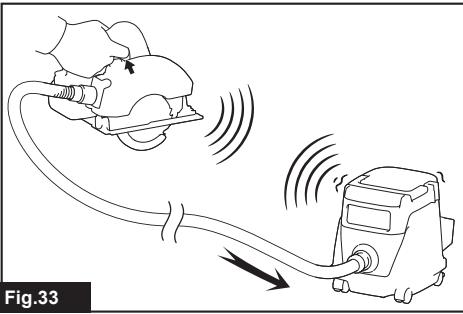


Fig.33

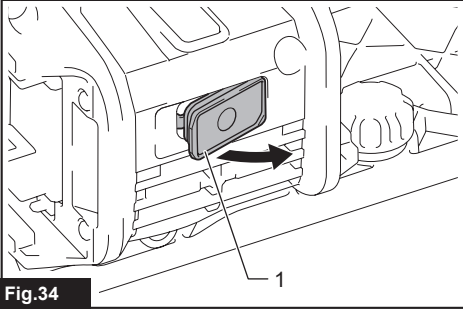


Fig.34

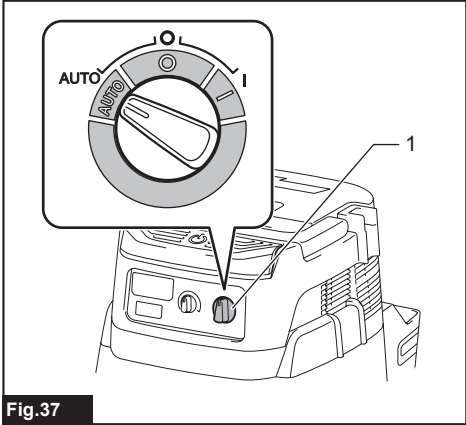


Fig.37

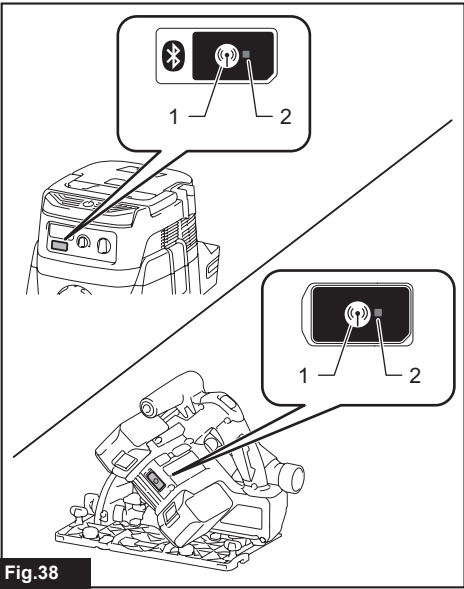


Fig.38

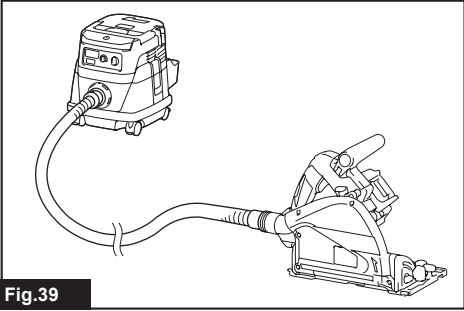


Fig.39

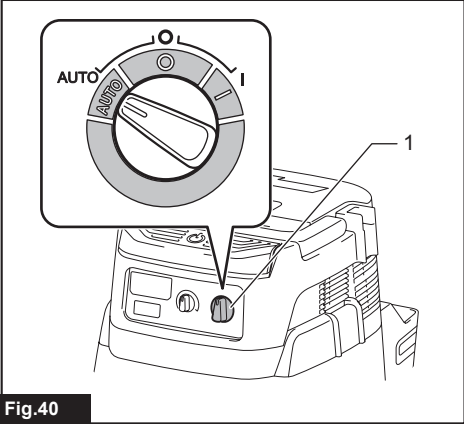


Fig.40

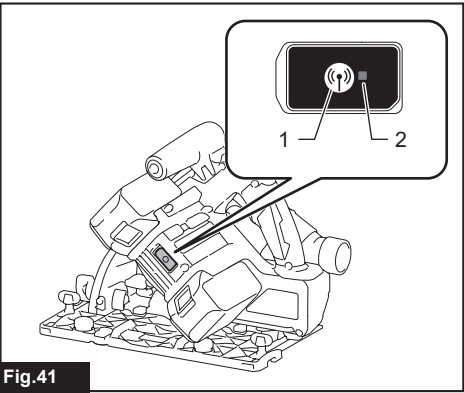


Fig.41

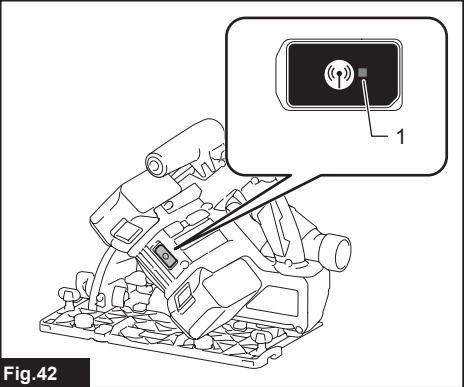


Fig.42

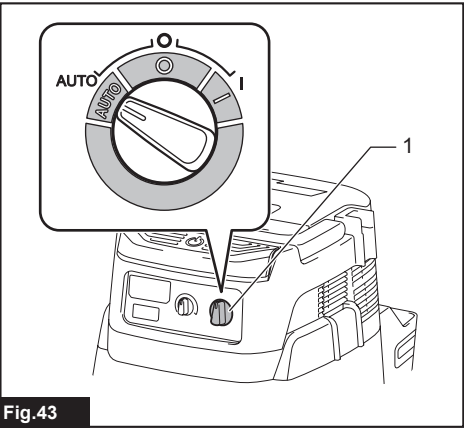


Fig.43

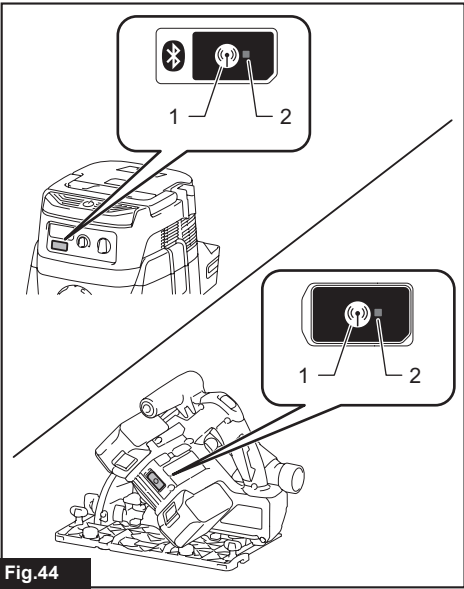


Fig.44

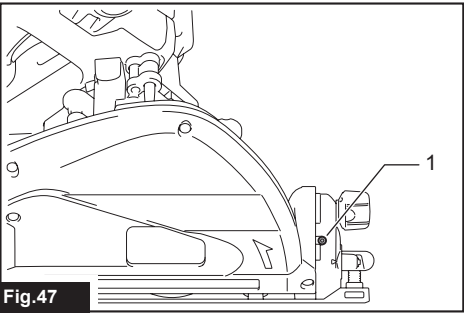


Fig.47

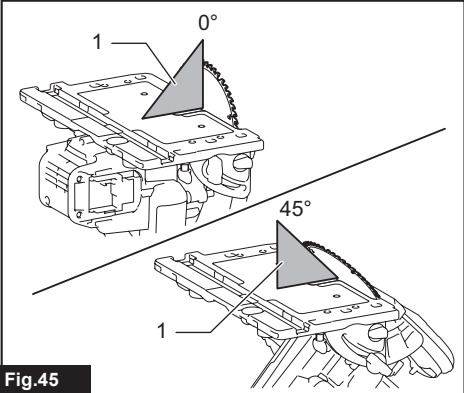


Fig.45

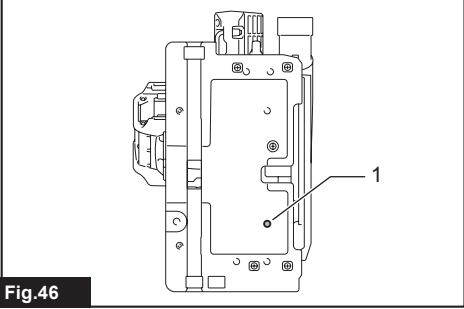


Fig.46

SPECIFICATIONS

Model:		DSP600	DSP601
Blade diameter		165 mm	
Max. Cutting depth	at 0°	56 mm	
	at 45° bevel	40 mm	
	at 48° bevel	38 mm	
No load speed		2,500 - 6,300 min ⁻¹	
Overall length		346 mm	
Rated voltage		D.C. 36 V	
Net weight		4.4 - 5.1 kg	

- Due to our continuing program of research and development, the specifications herein are subject to change without notice.
- Specifications and battery cartridge may differ from country to country.
- The weight may differ depending on the attachment(s), including the battery cartridge. The lightest and heaviest combinations, according to EPTA-Procedure 01/2014, are shown in the table.

Applicable battery cartridge and charger

Battery cartridge	BL1815N / BL1820B / BL1830B / BL1840B / BL1850B / BL1860B
Charger	DC18RC / DC18RD / DC18RE / DC18SD / DC18SE / DC18SF / DC18SH / DC18WC

- Some of the battery cartridges and chargers listed above may not be available depending on your region of residence.

⚠WARNING: Only use the battery cartridges and chargers listed above. Use of any other battery cartridges and chargers may cause injury and/or fire.

Intended use

The tool is specially intended for performing plunge cuts. The tool is also intended for rip and cross cuts in wood. If the tool is equipped with proper circular saw blade, the tool can be used for sawing aluminum, plastic, mineral contained plastic, and similar materials.

Noise

The typical A-weighted noise level determined according to EN62841-2-5:

Model DSP600

Sound pressure level (L_{pA}) : 95 dB (A)

Sound power level (L_{WA}) : 103 dB (A)

Uncertainty (K) : 3 dB (A)

Model DSP601

Sound pressure level (L_{pA}) : 95 dB(A)

Sound power level (L_{WA}) : 103 dB (A)

Uncertainty (K) : 3 dB(A)

NOTE: The declared noise emission value(s) has been measured in accordance with a standard test method and may be used for comparing one tool with another.

NOTE: The declared noise emission value(s) may also be used in a preliminary assessment of exposure.

⚠WARNING: Wear ear protection.

⚠WARNING: The noise emission during actual use of the power tool can differ from the declared value(s) depending on the ways in which the tool is used especially what kind of workpiece is processed.

⚠WARNING: Be sure to identify safety measures to protect the operator that are based on an estimation of exposure in the actual conditions of use (taking account of all parts of the operating cycle such as the times when the tool is switched off and when it is running idle in addition to the trigger time).

Vibration

The vibration total value (tri-axial vector sum) determined according to EN62841-2-5:

Model DSP600

Work mode: cutting wood

Vibration emission ($a_{h,W}$) : 2.5 m/s² or less

Uncertainty (K) : 1.5 m/s²

Work mode: cutting metal

Vibration emission ($a_{h,M}$) : 2.5 m/s² or less

Uncertainty (K) : 1.5 m/s²

Model DSP601

Work mode: cutting wood

Vibration emission ($a_{h,W}$) : 2.5 m/s² or less

Uncertainty (K) : 1.5 m/s²
Work mode: cutting metal
Vibration emission (a_{n,M}) : 2.5 m/s² or less
Uncertainty (K) : 1.5 m/s²

NOTE: The declared vibration total value(s) has been measured in accordance with a standard test method and may be used for comparing one tool with another.

NOTE: The declared vibration total value(s) may also be used in a preliminary assessment of exposure.

⚠WARNING: The vibration emission during actual use of the power tool can differ from the declared value(s) depending on the ways in which the tool is used especially what kind of workpiece is processed.

⚠WARNING: Be sure to identify safety measures to protect the operator that are based on an estimation of exposure in the actual conditions of use (taking account of all parts of the operating cycle such as the times when the tool is switched off and when it is running idle in addition to the trigger time).

Declarations of Conformity

For European countries only

The Declarations of conformity are included in Annex A to this instruction manual.

SAFETY WARNINGS

General power tool safety warnings

⚠WARNING Read all safety warnings, instructions, illustrations and specifications provided with this power tool. Failure to follow all instructions listed below may result in electric shock, fire and/or serious injury.

Save all warnings and instructions for future reference.

The term "power tool" in the warnings refers to your mains-operated (corded) power tool or battery-operated (cordless) power tool.

Cordless circular saw safety warnings

Cutting procedures

- ⚠DANGER:** Keep hands away from cutting area and the blade. Keep your second hand on auxiliary handle, or motor housing. If both hands are holding the saw, they cannot be cut by the blade.
- Do not reach underneath the workpiece.** The guard cannot protect you from the blade below the workpiece.
- Adjust the cutting depth to the thickness of the workpiece.** Less than a full tooth of the blade teeth should be visible below the workpiece.

- Never hold the workpiece in your hands or across your leg while cutting. Secure the workpiece to a stable platform.** It is important to support the work properly to minimise body exposure, blade binding, or loss of control.

► Fig.1

- Hold the power tool by insulated gripping surfaces, when performing an operation where the cutting tool may contact hidden wiring.** Contact with a "live" wire will also make exposed metal parts of the power tool "live" and could give the operator an electric shock.
- When ripping, always use a rip fence or straight edge guide.** This improves the accuracy of cut and reduces the chance of blade binding.
- Always use blades with correct size and shape (diamond versus round) of arbour holes.** Blades that do not match the mounting hardware of the saw will run off-centre, causing loss of control.
- Never use damaged or incorrect blade washers or bolt.** The blade washers and bolt were specially designed for your saw, for optimum performance and safety of operation.

Kickback causes and related warnings

- kickback is a sudden reaction to a pinched, jammed or misaligned saw blade, causing an uncontrolled saw to lift up and out of the workpiece toward the operator;
- when the blade is pinched or jammed tightly by the kerf closing down, the blade stalls and the motor reaction drives the unit rapidly back toward the operator;
- if the blade becomes twisted or misaligned in the cut, the teeth at the back edge of the blade can dig into the top surface of the wood causing the blade to climb out of the kerf and jump back toward the operator.

Kickback is the result of saw misuse and/or incorrect operating procedures or conditions and can be avoided by taking proper precautions as given below.

- Maintain a firm grip with both hands on the saw and position your arms to resist kickback forces. Position your body to either side of the blade, but not in line with the blade.** Kickback could cause the saw to jump backwards, but kickback forces can be controlled by the operator, if proper precautions are taken.
- When blade is binding, or when interrupting a cut for any reason, release the trigger and hold the saw motionless in the material until the blade comes to a complete stop. Never attempt to remove the saw from the work or pull the saw backward while the blade is in motion or kickback may occur.** Investigate and take corrective actions to eliminate the cause of blade binding.
- When restarting a saw in the workpiece, centre the saw blade in the kerf so that the saw teeth are not engaged into the material.** If a saw blade binds, it may walk up or kickback from the workpiece as the saw is restarted.
- Support large panels to minimise the risk of blade pinching and kickback.** Large panels tend to sag under their own weight. Supports must be

placed under the panel on both sides, near the line of cut and near the edge of the panel.

► Fig.2

► Fig.3

5. **Do not use dull or damaged blades.** Unsharpened or improperly set blades produce narrow kerf causing excessive friction, blade binding and kickback.
6. **Blade depth and bevel adjusting locking levers must be tight and secure before making the cut.** If blade adjustment shifts while cutting, it may cause binding and kickback.
7. **Use extra caution when sawing into existing walls or other blind areas.** The protruding blade may cut objects that can cause kickback.
8. **ALWAYS hold the tool firmly with both hands. NEVER place your hand, leg or any part of your body under the tool base or behind the saw, especially when making cross-cuts.** If kickback occurs, the saw could easily jump backwards over your hand, leading to serious personal injury.

► Fig.4

9. **Never force the saw. Push the saw forward at a speed so that the blade cuts without slowing.** Forcing the saw can cause uneven cuts, loss of accuracy, and possible kickback.

Guard function

1. **Check the guard for proper closing before each use. Do not operate the saw if the guard does not move freely and enclose the blade instantly. Never clamp or tie the guard so that the blade is exposed.** If the saw is accidentally dropped, the guard may be bent. Check to make sure that the guard moves freely and does not touch the blade or any other part, in all angles and depths of cut.
2. **Check the operation and condition of the guard return spring. If the guard and the spring are not operating properly, they must be serviced before use.** The guard may operate sluggishly due to damaged parts, gummy deposits, or a build-up of debris.
3. **Assure that the base plate of the saw will not shift while performing a "plunge cut".** Blade shifting sideways will cause binding and likely kick back.
4. **Always observe that the guard is covering the blade before placing the saw down on bench or floor.** An unprotected, coasting blade will cause the saw to walk backwards, cutting whatever is in its path. Be aware of the time it takes for the blade to stop after the switch is released.

Additional safety warnings

1. **Use extra caution when cutting damp wood, pressure treated lumber, or wood containing knots.** Maintain smooth advancement of tool without decrease in blade speed to avoid overheating the blade tips and if cutting plastics, to avoid melting the plastic.
2. **Do not attempt to remove cut material when blade is moving. Wait until blade stops before grasping cut material.** Blades coast after turn off.
3. **Avoid cutting nails. Inspect for and remove all**

nails from lumber before cutting.

4. **Place the wider portion of the saw base on that part of the workpiece which is solidly supported, not on the section that will fall off when the cut is made. If the workpiece is short or small, clamp it down. DO NOT TRY TO HOLD SHORT PIECES BY HAND!**

► Fig.5

5. **Before setting the tool down after completing a cut, be sure that the guard has closed and the blade has come to a complete stop.**
6. **Never attempt to saw with the circular saw held upside down in a vise. This is extremely dangerous and can lead to serious accidents.**

► Fig.6

7. **Some material contains chemicals which may be toxic. Take caution to prevent dust inhalation and skin contact. Follow material supplier safety data.**
8. **Do not stop the blades by lateral pressure on the saw blade.**
9. **Do not use any abrasive wheels.**
10. **Only use the saw blade with the diameter that is marked on the tool or specified in the manual. Use of an incorrectly sized blade may affect the proper guarding of the blade or guard operation which could result in serious personal injury.**
11. **Keep blade sharp and clean.** Gum and wood pitch hardened on blades slows saw and increases potential for kickback. Keep blade clean by first removing it from tool, then cleaning it with gum and pitch remover, hot water or kerosene. Never use gasoline.
12. **Wear a dust mask and hearing protection when use the tool.**
13. **Always use the saw blade intended for cutting the material that you are going to cut.**
14. **Only use the saw blades that are marked with a speed equal or higher than the speed marked on the tool.**
15. **(For European countries only) Always use the blade which conforms to EN847-1, if intended for wood and analogous materials.**

SAVE THESE INSTRUCTIONS.

⚠WARNING: DO NOT let comfort or familiarity with product (gained from repeated use) replace strict adherence to safety rules for the subject product. MISUSE or failure to follow the safety rules stated in this instruction manual may cause serious personal injury.

Important safety instructions for battery cartridge

1. **Before using battery cartridge, read all instructions and cautionary markings on (1) battery charger, (2) battery, and (3) product using battery.**
2. **Do not disassemble or tamper with the battery cartridge.** It may result in a fire, excessive heat, or explosion.

3. **If operating time has become excessively shorter, stop operating immediately.** It may result in a risk of overheating, possible burns and even an explosion.
4. **If electrolyte gets into your eyes, rinse them out with clear water and seek medical attention right away.** It may result in loss of your eyesight.
5. **Do not short the battery cartridge:**
 - (1) **Do not touch the terminals with any conductive material.**
 - (2) **Avoid storing battery cartridge in a container with other metal objects such as nails, coins, etc.**
 - (3) **Do not expose battery cartridge to water or rain.**

A battery short can cause a large current flow, overheating, possible burns and even a breakdown.

6. **Do not store and use the tool and battery cartridge in locations where the temperature may reach or exceed 50 °C (122 °F).**
7. **Do not incinerate the battery cartridge even if it is severely damaged or is completely worn out.** The battery cartridge can explode in a fire.
8. **Do not nail, cut, crush, throw, drop the battery cartridge, or hit against a hard object to the battery cartridge.** Such conduct may result in a fire, excessive heat, or explosion.
9. **Do not use a damaged battery.**
10. **The contained lithium-ion batteries are subject to the Dangerous Goods Legislation requirements.**

For commercial transports e.g. by third parties, forwarding agents, special requirement on packaging and labeling must be observed.

For preparation of the item being shipped, consulting an expert for hazardous material is required.

Please also observe possibly more detailed national regulations.

Tape or mask off open contacts and pack up the battery in such a manner that it cannot move around in the packaging.

11. **When disposing the battery cartridge, remove it from the tool and dispose of it in a safe place. Follow your local regulations relating to disposal of battery.**
12. **Use the batteries only with the products specified by Makita.** Installing the batteries to non-compliant products may result in a fire, excessive heat, explosion, or leak of electrolyte.
13. **If the tool is not used for a long period of time, the battery must be removed from the tool.**
14. **During and after use, the battery cartridge may take on heat which can cause burns or low temperature burns. Pay attention to the handling of hot battery cartridges.**
15. **Do not touch the terminal of the tool immediately after use as it may get hot enough to cause burns.**
16. **Do not allow chips, dust, or soil stuck into the terminals, holes, and grooves of the battery cartridge.** It may cause heating, catching fire, burst and malfunction of the tool or battery

cartridge, resulting in burns or personal injury.

17. **Unless the tool supports the use near high-voltage electrical power lines, do not use the battery cartridge near high-voltage electrical power lines.** It may result in a malfunction or breakdown of the tool or battery cartridge.
18. **Keep the battery away from children.**

SAVE THESE INSTRUCTIONS.

⚠ CAUTION: Only use genuine Makita batteries. Use of non-genuine Makita batteries, or batteries that have been altered, may result in the battery bursting causing fires, personal injury and damage. It will also void the Makita warranty for the Makita tool and charger.

Tips for maintaining maximum battery life

1. **Charge the battery cartridge before completely discharged.** Always stop tool operation and charge the battery cartridge when you notice less tool power.
2. **Never recharge a fully charged battery cartridge.** Overcharging shortens the battery service life.
3. **Charge the battery cartridge with room temperature at 10 °C - 40 °C (50 °F - 104 °F).** Let a hot battery cartridge cool down before charging it.
4. **When not using the battery cartridge, remove it from the tool or the charger.**
5. **Charge the battery cartridge if you do not use it for a long period (more than six months).**

Important safety instructions for wireless unit

1. **Do not disassemble or tamper with the wireless unit.**
2. **Keep the wireless unit away from young children. If accidentally swallowed, seek medical attention immediately.**
3. **Use the wireless unit only with Makita tools.**
4. **Do not expose the wireless unit to rain or wet conditions.**
5. **Do not use the wireless unit in places where the temperature exceeds 50 °C (122 °F).**
6. **Do not operate the wireless unit in places where medical instruments, such as heart pace makers are nearby.**
7. **Do not operate the wireless unit in places where automated devices are nearby.** If operated, automated devices may develop malfunction or error.
8. **Do not operate the wireless unit in places under high temperature or places where static electricity or electrical noise could be generated.**
9. **The wireless unit can produce electromagnetic fields (EMF) but they are not harmful to the user.**
10. **The wireless unit is an accurate instrument. Be careful not to drop or strike the wireless unit.**

11. Avoid touching the terminal of the wireless unit with bare hands or metallic materials.
12. Always remove the battery on the product when installing the wireless unit into it.
13. When opening the lid of the slot, avoid the place where dust and water may come into the slot. Always keep the inlet of the slot clean.
14. Always insert the wireless unit in the correct direction.
15. Do not press the wireless activation button on the wireless unit too hard and/or press the button with an object with a sharp edge.
16. Always close the lid of the slot when operating.
17. Do not remove the wireless unit from the slot while the power is being supplied to the tool. Doing so may cause a malfunction of the wireless unit.
18. Do not remove the sticker on the wireless unit.
19. Do not put any sticker on the wireless unit.
20. Do not leave the wireless unit in a place where static electricity or electrical noise could be generated.
21. Do not leave the wireless unit in a place subject to high heat, such as a car sitting in the sun.
22. Do not leave the wireless unit in a dusty or powdery place or in a place corrosive gas could be generated.
23. Sudden change of the temperature may bedew the wireless unit. Do not use the wireless unit until the dew is completely dried.
24. When cleaning the wireless unit, gently wipe with a dry soft cloth. Do not use benzine, thinner, conductive grease or the like.
25. When storing the wireless unit, keep it in the supplied case or a static-free container.
26. Do not insert any devices other than Makita wireless unit into the slot on the tool.
27. Do not use the tool with the lid of the slot damaged. Water, dust, and dirt come into the slot may cause malfunction.
28. Do not pull and/or twist the lid of the slot more than necessary. Restore the lid if it comes off from the tool.
29. Replace the lid of the slot if it is lost or damaged.

SAVE THESE INSTRUCTIONS.

FUNCTIONAL DESCRIPTION

CAUTION: Always be sure that the tool is switched off and the battery cartridge is removed before adjusting or checking function on the tool.

Installing or removing battery cartridge

CAUTION: Always switch off the tool before installing or removing of the battery cartridge.

CAUTION: Hold the tool and the battery cartridge firmly when installing or removing battery cartridge. Failure to hold the tool and the battery cartridge firmly may cause them to slip off your hands and result in damage to the tool and battery cartridge and a personal injury.

To install the battery cartridge, align the tongue on the battery cartridge with the groove in the housing and slip it into place. Insert it all the way until it locks in place with a little click. If you can see the red indicator as shown in the figure, it is not locked completely.

To remove the battery cartridge, slide it from the tool while sliding the button on the front of the cartridge.

► Fig.7: 1. Red indicator 2. Button 3. Battery cartridge

CAUTION: Always install the battery cartridge fully until the red indicator cannot be seen. If not, it may accidentally fall out of the tool, causing injury to you or someone around you.

CAUTION: Do not install the battery cartridge forcibly. If the cartridge does not slide in easily, it is not being inserted correctly.

NOTE: The tool does not work with only one battery cartridge.

Tool / battery protection system

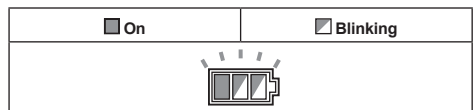
The tool is equipped with a tool/battery protection system. This system automatically cuts off power to the motor to extend tool and battery life. The tool will automatically stop during operation if the tool or battery is placed under one of the following conditions.

Overload protection

When the tool is operated in a manner that causes it to draw an abnormally high current, the tool automatically stops. In this situation, turn the tool off and stop the application that caused the tool to become overloaded. Then turn the tool on to restart.

Overheat protection

When the tool is overheated, the tool stops automatically, and the battery indicator blink about 60 seconds. In this situation, let the tool cool down before turning the tool on again.



Overdischarge protection

When the battery capacity becomes low, the tool stops automatically. If the product does not operate even when the switches are operated, remove the batteries

from the tool and charge the batteries.

Indicating the remaining battery capacity

- **Fig.8:** 1. Battery indicator (for upper battery)
2. Check button 3. Battery indicator (for lower battery)

Press the check button to indicate the remaining battery capacities. The battery indicators correspond to each battery.

Battery indicator status			Remaining battery capacity
On	Off	Blinking	
			50% to 100%
			20% to 50%
			0% to 20%
			Charge the battery

Indicating the remaining battery capacity

Only for battery cartridges with the indicator

Press the check button on the battery cartridge to indicate the remaining battery capacity. The indicator lamps light up for a few seconds.

- **Fig.9:** 1. Indicator lamps 2. Check button

Indicator lamps			Remaining capacity
Lighted	Off	Blinking	
			75% to 100%
			50% to 75%
			25% to 50%
			0% to 25%
			Charge the battery.
			The battery may have malfunctioned.

NOTE: Depending on the conditions of use and the ambient temperature, the indication may differ slightly from the actual capacity.

NOTE: The first (far left) indicator lamp will blink when the battery protection system works.

Automatic speed change function

NOTE: Automatic speed change function is only available when the speed adjusting dial is in 5.

This tool has "high speed mode" and "high torque mode".

The tool automatically changes the operation mode depending on the work load. When the work load is low, the tool will run in the "high speed mode" for quicker cutting operation. When the work load is high, the tool will run in the "high torque mode" for powerful cutting operation.

- **Fig.10:** 1. Mode indicator

The mode indicator lights up in green when the tool is running in "high torque mode".

If the tool is operated with excessive load, the mode indicator will blink in green. The mode indicator stops blinking and then lights up or turns off if you reduce the load on the tool.

Mode indicator status			Operation mode
On	Off	Blinking	
			High speed mode
			High torque mode
			Overload alert

Adjusting depth of cut

CAUTION: After adjusting the depth of cut, always tighten the clamping screw securely.

Loosen the clamping screw on the depth guide and move the blade lower limit stopper to the desired depth on the scale plate. At the desired depth of cut, tighten the clamping screw firmly.

For cleaner, safer cuts, set cut depth so that no more than one blade tooth projects below workpiece. Using proper cut depth helps to reduce potential for dangerous KICKBACKS which can cause personal injury.

- **Fig.11:** 1. Blade lower limit stopper 2. Clamping screw

Quick stop button for 2 to 3 mm depth of cut when using guide rail (optional accessory)

This tool has the quick stop button for 2 to 3 mm depth of cut on the gear housing aside the rear handle when using guide rail. This is used when avoiding splinter on

the workpiece in the cut. Make a pass of the 2 to 3 mm first cut and then make another pass of usual cut.

► **Fig.12:** 1. Quick stop button

To obtain the 2 to 3 mm depth of cut, push in the quick stop button toward the saw blade. This is convenient for avoiding splinter on the workpiece.

To release the depth of cut from this position for free depth of cut, just pull the button back.

Bevel cutting

Loosen the clamping screws. Set for the desired angle by tilting accordingly, then tighten the clamping screws securely.

► **Fig.13:** 1. Clamping screw 2. Bevel scale plate

► **Fig.14:** 1. Sub base (Optional accessory)
2. Clamping screw

Positive stopper

The positive stopper is useful for setting the designated angle quickly. Turn the positive stopper so that the arrow on it points 22.5°. Loosen the clamping screws in front and back. Then tilt the blade until it stops and secure the base with the clamping screws.

► **Fig.15:** 1. Positive stopper 2. Clamping screw

48°-bevel cutting

To perform 48°-bevel cutting, loosen the clamping screws and fully tilt the lever toward the direction of the arrow in the figure. Then set the bevel angle to 48° and tighten the clamping screws.

► **Fig.16:** 1. Lever

-1°-bevel cutting

To perform -1°-bevel cutting, loosen the clamping screws and press the levers toward the direction of the arrow in the figure. Then set the bevel angle to -1° and tighten the clamping screws.

► **Fig.17:** 1. Lever

Sighting

► **Fig.18:** 1. Base

The cutting line varies depending on the cutting angle and whether you use the guide rail (optional accessory).

When using the tool without guide rail

For straight cuts, align the A position on the front of the base with your cutting line. For 45° bevel cuts, align the B position with it.

When using the tool with guide rail

For both straight cuts and 45° bevel cuts, always align the A position on the front of the base with your cutting line.

Switch action

⚠WARNING: Before installing the battery cartridge into the tool, always check to see that the switch trigger actuates properly and returns to the "OFF" position when released.

⚠WARNING: NEVER defeat the lock-off button by taping down or some other means. A switch with a negated lock-off button may result in unintentional operation and serious personal injury.

⚠WARNING: NEVER use the tool if it runs when you simply pull the switch trigger without pressing the lock-off button. A switch in need of repair may result in unintentional operation and serious personal injury. Return tool to a Makita service center for proper repairs BEFORE further usage.

To prevent the switch trigger from being accidentally pulled, a lock-off button is provided. To start the tool, depress the lock-off button and pull the switch trigger. Release the switch trigger to stop.

► **Fig.19:** 1. Switch trigger 2. Lock-off button

NOTICE: Do not pull the switch trigger hard without pressing in the lock-off button. This can cause switch breakage.

Speed adjusting dial

The tool speed can be adjusted by turning the adjusting dial. The speed of the blade rotation increases as you increase the number on the speed adjusting dial.

► **Fig.20:** 1. Speed adjusting dial

Refer to the table to select the proper speed for the workpiece to be cut. However, the appropriate speed may differ with the type or thickness of the workpiece. In general, higher speeds will allow you to cut workpieces faster but the service life of the blade will be reduced.

Number	Blade rotating speed per minute (min ⁻¹)
1	2,500 min ⁻¹
2	2,900 min ⁻¹
3	3,900 min ⁻¹
4	4,900 min ⁻¹
5	6,300 min ⁻¹

⚠CAUTION: The speed adjusting dial is not for using low speed rated saw blades but for obtaining a speed which is suitable to material of workpiece. Use only saw blades which are rated for at least the maximum no load speed stated in the SPECIFICATIONS.

NOTICE: The speed adjusting dial can be turned only as far as 5 and back to 1. Do not force it past 5 or 1, or the speed adjusting function may no longer work.

Electronic function

The tools equipped with electronic function are easy to operate because of the following features.

Overload protector

When the tool is overloaded and current flows above a certain level, the tool automatically stops to protect motor.

Constant speed control

Electronic speed control for obtaining constant speed. Possible to get fine finish, because the rotating speed is kept constant even under load condition.

Soft start feature

Soft start because of suppressed starting shock.

ASSEMBLY

⚠ CAUTION: Always be sure that the tool is switched off and the battery cartridge is removed before carrying out any work on the tool.

Hex wrench storage

When not in use, store the hex wrench as shown in the figure to keep it from being lost.

► Fig.21: 1. Hex wrench

Removing or installing circular saw blade

⚠ CAUTION: Be sure the circular saw blade is installed with teeth pointing up at the front of the tool.

⚠ CAUTION: Use only the Makita wrench to install or remove the circular saw blade.

To remove the circular saw blade:

1. Depress the lock-off button and lower the handle a little. Turn the locking lever and lower the handle until the lock pin fits in the hole.

► Fig.22: 1. Lock-off button 2. Locking lever 3. Lock pin 4. Hole for lock pin

2. Press the shaft lock fully so that the blade cannot revolve and use the hex wrench to loosen the hex bolt.

► Fig.23: 1. Shaft lock 2. Hex wrench 3. Tighten 4. Loosen

3. Remove the hex bolt, outer flange, and circular saw blade.

► Fig.24: 1. Hex bolt 2. Outer flange 3. Inner flange 4. Circular saw blade

⚠ WARNING: If the inner flange is removed, be sure to install it on the spindle. When installing, choose a correct side on which protrusion fits into the saw blade hole perfectly. Mounting the blade on the wrong side can result in the dangerous vibration.

To install the circular saw blade, follow the removal procedure in reverse. Depress the lock-off button to release the lock pin from the hole.

⚠ WARNING: BE SURE TO TIGHTEN THE HEX BOLT SECURELY. Also be careful not to tighten the bolt forcibly. Slipping your hand from the hex wrench can cause a personal injury.

Blade guard cleaning

When changing the circular saw blade, make sure to also clean the blade guard of accumulated sawdust as discussed in the Maintenance section. Such efforts do not replace the need to check guard operation before each use.

Connecting a vacuum cleaner

Optional accessory

When you wish to perform clean cutting operation, connect a Makita vacuum cleaner to your tool. Connect a hose of the vacuum cleaner to the dust nozzle using the front cuff 24.

► Fig.25: 1. Hose of the vacuum cleaner 2. Front cuff 24 3. Dust nozzle

OPERATION

⚠ CAUTION: Be sure to move the tool forward in a straight line gently. Forcing or twisting the tool will result in overheating the motor and dangerous kickback, possibly causing severe injury.

⚠ CAUTION: Never approach any part of your body under the tool base when section cutting, especially at starting. Doing so may cause serious personal injuries. The blade is exposed under the tool base.

NOTE: When the battery cartridge temperature is low, the tool may not work to its full capacity. At this time, for example, use the tool for a light-duty cut for a while until the battery cartridge warms up as high as room temperature. Then, the tool can work to its full capacity.

Section cutting (ordinary sawing)

► Fig.26

Hold the tool firmly. The tool is provided with both a front grip and rear handle. Use both to best grasp the tool. If both hands are holding saw, they cannot be cut by the circular saw blade. Set the base on the workpiece to be cut without the circular saw blade making any contact. Then push in the lock-off button and pull the switch trigger. Wait until the circular saw blade attains full speed. Now press down the saw head slowly to the preset depth of cut and simply move the tool forward over the workpiece surface, keeping it flat and advancing smoothly until the sawing is completed.

To get clean cuts, keep your sawing line straight and your speed of advance uniform. If the cut fails to properly follow your intended cut line, do not attempt to turn or force the tool back to the cut line. Doing so may bind the circular saw blade and lead to dangerous kickback and possible serious injury. Release the switch, wait

for the circular saw blade to stop and then withdraw the tool. Realign the tool on new cut line, and start cut again. Attempt to avoid positioning which exposes operator to chips and wood dust being ejected from the saw. Use eye protection to help avoid injury.

Guide rail

Optional accessory

Place the tool on the rear end of guide rail. Turn two adjusting screws on the tool base so that the tool slides smoothly without a clatter. Hold both the front grip and rear handle of the tool firmly. Turn on the tool, press down the tool to the preset cutting depth and cut the splinterguard along the full length with a stroke. Now the edge of the splinterguard corresponds to the cutting edge.

► **Fig.27:** 1. Adjusting screws

When bevel cutting with the guide rail, use the slide lever to prevent the tool from falling over. Move the slide lever on the tool base in the direction of arrow so that it engages the undercut groove in the guide rail.

► **Fig.28:** 1. Slide lever

Sub base (Guide rule)

Optional accessory

By using the sub base as a guide rule, you can perform extra-accurate straight cuts. Loosen the clamping screws and slide the sub base out from the tool then insert it upside down.

► **Fig.29:** 1. Clamping screw 2. Sub base

Simply slide the fence of the sub base snugly against the side of the workpiece and secure it in position with the clamping screws. It also makes repeated cuts of uniform width possible.

► **Fig.30:** 1. Clamping screw 2. Sub base

Plunge cutting (Cutting-out)

⚠ WARNING: To avoid a kickback, be sure to observe the following instructions.

► **Fig.31:** 1. Rear edge of tool base 2. Fixed stop

When using the tool without guide rail, place the tool on the workpiece with the rear edge of tool base against a fixed stop or equivalent which is devised by an operator.

When using the tool with guide rail, place the tool on the guide rail with the rear edge of tool base against a fixed stop or equivalent which is clamped on the guide rail.

Hold the tool firmly with one hand on the front grip and the other on the tool handle. Then push in the lock-off button and turn the tool on and wait until the blade attains full speed. Now press down the saw head slowly to the preset depth of cut and simply move the tool forward to the desired plunge position.

NOTE: The markings on the side of the blade guard show the front and rear cutting points of the saw blade at the maximum cutting depth when using the guide rail.

► **Fig.32:** 1. Front cutting point 2. Rear cutting point

Guide device

Optional accessory

Use of the bevel guide allows exact miter cuts with angles and fitting works.

Use of the clamp ensures firm hold of workpiece on the table.

WIRELESS ACTIVATION FUNCTION

For DSP601 only

What you can do with the wireless activation function

The wireless activation function enables clean and comfortable operation. By connecting a supported vacuum cleaner to the tool, you can run the vacuum cleaner automatically along with the switch operation of the tool.

► **Fig.33**

To use the wireless activation function, prepare following items:

- A wireless unit (optional accessory)
- A vacuum cleaner which supports the wireless activation function

The overview of the wireless activation function setting is as follows. Refer to each section for detail procedures.

1. Installing the wireless unit
2. Tool registration for the vacuum cleaner
3. Starting the wireless activation function

Installing the wireless unit

Optional accessory

⚠ CAUTION: Place the tool on a flat and stable surface when installing the wireless unit.

NOTICE: Clean the dust and dirt on the tool before installing the wireless unit. Dust or dirt may cause malfunction if it comes into the slot of the wireless unit.

NOTICE: To prevent the malfunction caused by static, touch a static discharging material, such as a metal part of the tool, before picking up the wireless unit.

NOTICE: When installing the wireless unit, always be sure that the wireless unit is inserted in the correct direction and the lid is completely closed.

1. Open the lid on the tool as shown in the figure.

► **Fig.34:** 1. Lid

2. Insert the wireless unit to the slot and then close the lid.

When inserting the wireless unit, align the projections with the recessed portions on the slot.

- **Fig.35:** 1. Wireless unit 2. Projection 3. Lid
4. Recessed portion

When removing the wireless unit, open the lid slowly. The hooks on the back of the lid will lift the wireless unit as you pull up the lid.

- **Fig.36:** 1. Wireless unit 2. Hook 3. Lid

After removing the wireless unit, keep it in the supplied case or a static-free container.

NOTICE: Always use the hooks on the back of the lid when removing the wireless unit. If the hooks do not catch the wireless unit, close the lid completely and open it slowly again.

Tool registration for the vacuum cleaner

NOTE: A Makita vacuum cleaner supporting the wireless activation function is required for the tool registration.

NOTE: Finish installing the wireless unit to the tool before starting the tool registration.

NOTE: During the tool registration, do not pull the switch trigger or turn on the power switch on the vacuum cleaner.

NOTE: Refer to the instruction manual of the vacuum cleaner, too.

If you wish to activate the vacuum cleaner along with the switch operation of the tool, finish the tool registration beforehand.

1. Install the batteries to the vacuum cleaner and the tool.
2. Set the stand-by switch on the vacuum cleaner to "AUTO".
► **Fig.37:** 1. Stand-by switch

3. Press the wireless activation button on the vacuum cleaner for 3 seconds until the wireless activation lamp blinks in green. And then press the wireless activation button on the tool in the same way.

- **Fig.38:** 1. Wireless activation button 2. Wireless activation lamp

If the vacuum cleaner and the tool are linked successfully, the wireless activation lamps will light up in green for 2 seconds and start blinking in blue.

NOTE: The wireless activation lamps finish blinking in green after 20 seconds elapsed. Press the wireless activation button on the tool while the wireless activation lamp on the cleaner is blinking. If the wireless activation lamp does not blink in green, push the wireless activation button briefly and hold it down again.

NOTE: When performing two or more tool registrations for one vacuum cleaner, finish the tool registration one by one.

Starting the wireless activation function

NOTE: Finish the tool registration for the vacuum cleaner prior to the wireless activation.

NOTE: Refer to the instruction manual of the vacuum cleaner, too.

After registering a tool to the vacuum cleaner, the vacuum cleaner will automatically run along with the switch operation of the tool.

1. Install the wireless unit to the tool.
2. Connect the hose of the vacuum cleaner with the tool.
► **Fig.39**

3. Set the stand-by switch on the vacuum cleaner to "AUTO".

- **Fig.40:** 1. Stand-by switch

4. Push the wireless activation button on the tool briefly. The wireless activation lamp will blink in blue.

- **Fig.41:** 1. Wireless activation button 2. Wireless activation lamp

5. Turn on the tool. Check if the vacuum cleaner runs while the tool is operating.

To stop the wireless activation of the vacuum cleaner, push the wireless activation button on the tool.

NOTE: The wireless activation lamp on the tool will stop blinking in blue when there is no operation for 2 hours. In this case, set the stand-by switch on the vacuum cleaner to "AUTO" and push the wireless activation button on the tool again.

NOTE: The vacuum cleaner starts/stops with a delay. There is a time lag when the vacuum cleaner detects a switch operation of the tool.

NOTE: The transmission distance of the wireless unit may vary depending on the location and surrounding circumstances.

NOTE: When two or more tools are registered to one vacuum cleaner, the vacuum cleaner may start running even if you do not turn on your tool because another user is using the wireless activation function.

Description of the wireless activation lamp status

- **Fig.42:** 1. Wireless activation lamp

The wireless activation lamp shows the status of the wireless activation function. Refer to the table below for the meaning of the lamp status.

Status	Wireless activation lamp			Description
	Color	<input type="checkbox"/> On <input type="checkbox"/> Blinking	Duration	
Standby	Blue	<input type="checkbox"/>	2 hours	The wireless activation of the vacuum cleaner is available. The lamp will automatically turn off when no operation is performed for 2 hours.
		<input type="checkbox"/>	When the tool is running.	The wireless activation of the vacuum cleaner is available and the tool is running.
Tool registration	Green	<input type="checkbox"/>	20 seconds	Ready for the tool registration. Waiting for the registration by the vacuum cleaner.
		<input type="checkbox"/>	2 seconds	The tool registration has been finished. The wireless activation lamp will start blinking in blue.
Cancelling tool registration	Red	<input type="checkbox"/>	20 seconds	Ready for the cancellation of the tool registration. Waiting for the cancellation by the vacuum cleaner.
		<input type="checkbox"/>	2 seconds	The cancellation of the tool registration has been finished. The wireless activation lamp will start blinking in blue.
Others	Red	<input type="checkbox"/>	3 seconds	The power is supplied to the wireless unit and the wireless activation function is starting up.
	Off	-	-	The wireless activation of the vacuum cleaner is stopped.

Cancelling tool registration for the vacuum cleaner

Perform the following procedure when cancelling the tool registration for the vacuum cleaner.

1. Install the batteries to the vacuum cleaner and the tool.
2. Set the stand-by switch on the vacuum cleaner to "AUTO".
▶ **Fig.43:** 1. Stand-by switch
3. Press the wireless activation button on the vacuum cleaner for 6 seconds. The wireless activation lamp blinks in green and then become red. After that,

press the wireless activation button on the tool in the same way.

▶ **Fig.44:** 1. Wireless activation button 2. Wireless activation lamp

If the cancellation is performed successfully, the wireless activation lamps will light up in red for 2 seconds and start blinking in blue.

NOTE: The wireless activation lamps finish blinking in red after 20 seconds elapsed. Press the wireless activation button on the tool while the wireless activation lamp on the cleaner is blinking. If the wireless activation lamp does not blink in red, push the wireless activation button briefly and hold it down again.

Troubleshooting for wireless activation function

Before asking for repairs, conduct your own inspection first. If you find a problem that is not explained in the manual, do not attempt to dismantle the tool. Instead, ask Makita Authorized Service Centers, always using Makita replacement parts for repairs.

State of abnormality	Probable cause (malfunction)	Remedy
The wireless activation lamp does not light/blink.	The wireless unit is not installed into the tool. The wireless unit is improperly installed into the tool.	Install the wireless unit correctly.
	The terminal of the wireless unit and/or the slot is dirty.	Gently wipe off dust and dirt on the terminal of the wireless unit and clean the slot.
	The wireless activation button on the tool has not been pushed.	Push the wireless activation button on the tool briefly.
	The stand-by switch on the vacuum cleaner is not set to "AUTO".	Set the stand-by switch on the vacuum cleaner to "AUTO".
	No power supply	Supply the power to the tool and the vacuum cleaner.

State of abnormality	Probable cause (malfunction)	Remedy
Cannot finish tool registration / cancelling tool registration successfully.	The wireless unit is not installed into the tool. The wireless unit is improperly installed into the tool.	Install the wireless unit correctly.
	The terminal of the wireless unit and/or the slot is dirty.	Gently wipe off dust and dirt on the terminal of the wireless unit and clean the slot.
	The stand-by switch on the vacuum cleaner is not set to "AUTO".	Set the stand-by switch on the vacuum cleaner to "AUTO".
	No power supply	Supply the power to the tool and the vacuum cleaner.
	Incorrect operation	Push the wireless activation button briefly and perform the tool registration/cancellation procedures again.
	The tool and vacuum cleaner are away from each other (out of the transmission range).	Get the tool and vacuum cleaner closer to each other. The maximum transmission distance is approximately 10 m however it may vary according to the circumstances.
	Before finishing the tool registration/cancellation; - the switch of the tool is turned on or; - the power button on the vacuum cleaner is turned on.	Push the wireless activation button briefly and perform the tool registration/cancellation procedures again.
	The tool registration procedures for the tool or vacuum cleaner have not finished.	Perform the tool registration procedures for both the tool and the vacuum cleaner at the same timing.
	Radio disturbance by other appliances which generate high-intensity radio waves.	Keep the tool and vacuum cleaner away from the appliances such as Wi-Fi devices and microwave ovens.
The vacuum cleaner does not run along with the switch operation of the tool.	The wireless unit is not installed into the tool. The wireless unit is improperly installed into the tool.	Install the wireless unit correctly.
	The terminal of the wireless unit and/or the slot is dirty.	Gently wipe off dust and dirt on the terminal of the wireless unit and clean the slot.
	The wireless activation button on the tool has not been pushed.	Push the wireless activation button briefly and make sure that the wireless activation lamp is blinking in blue.
	The stand-by switch on the vacuum cleaner is not set to "AUTO".	Set the stand-by switch on the vacuum cleaner to "AUTO".
	More than 10 tools are registered to the vacuum cleaner.	Perform the tool registration again. If more than 10 tools are registered to the vacuum cleaner, the tool registered earliest will be cancelled automatically.
	The vacuum cleaner erased all tool registrations.	Perform the tool registration again.
	No power supply	Supply the power to the tool and the vacuum cleaner.
	The tool and vacuum cleaner are away from each other (out of the transmission range).	Get the tool and vacuum cleaner closer each other. The maximum transmission distance is approximately 10 m however it may vary according to the circumstances.
	Radio disturbance by other appliances which generate high-intensity radio waves.	Keep the tool and vacuum cleaner away from the appliances such as Wi-Fi devices and microwave ovens.
The vacuum cleaner runs while the tool is not operating.	Other users are using the wireless activation of the vacuum cleaner with their tools.	Turn off the wireless activation button of the other tools or cancel the tool registration of the other tools.

MAINTENANCE

⚠ CAUTION: Always be sure that the tool is switched off and the battery cartridge is removed before attempting to perform inspection or maintenance.

⚠ CAUTION: Clean out the guard to ensure there is no accumulated sawdust which may impede the operation of the guarding system. A dirty guarding system may limit the proper operation which could result in serious personal injury. The most effective way to accomplish this cleaning is with compressed air. **If the dust is being blown out of the guard, be sure the proper eye and breathing protection is used.**

NOTICE: Never use gasoline, benzine, thinner, alcohol or the like. Discoloration, deformation or cracks may result.

Adjusting 0°-cut and 45°-cut accuracy

NOTICE: Do not engage the levers for -1° bevel angle when adjusting 0°-cut accuracy.

NOTICE: Do not engage the lever for 48° bevel angle when adjusting 45°-cut accuracy.

These adjustments have been made at the factory. But if they are off, you can adjust them as the following procedures.

1. Slightly loosen the clamping screws on the front and rear of the tool.
2. Adjust the blade angle.
▶ **Fig.45:** 1. Triangular rule

To adjust the 0°-cut accuracy, make the base perpendicular to the blade using a triangular rule, square rule, etc. by turning the adjusting bolt.

▶ **Fig.46:** 1. Adjusting bolt for 0°-cut

To adjust the 45°-cut accuracy, make the base 45° to the blade using a triangular rule by turning the adjusting bolt.

▶ **Fig.47:** 1. Adjusting bolt for 45°-cut

3. Tighten the clamping screws and make a test cut.
- To maintain product SAFETY and RELIABILITY, repairs, any other maintenance or adjustment should be performed by Makita Authorized or Factory Service Centers, always using Makita replacement parts.

OPTIONAL ACCESSORIES

⚠ CAUTION: These accessories or attachments are recommended for use with your Makita tool specified in this manual. The use of any other accessories or attachments might present a risk of injury to persons. Only use accessory or attachment for its stated purpose.

If you need any assistance for more details regarding these accessories, ask your local Makita Service Center.

- Circular saw blade
- Sub base
- Hex wrench
- Guide rail
- Bevel guide
- Clamp
- Sheet
- Rubber sheet
- Position sheet
- Wireless unit (for DSP601)
- Makita genuine battery and charger

NOTE: Some items in the list may be included in the tool package as standard accessories. They may differ from country to country.

SPECIFIKATIONER

Modell:	DSP600	DSP601
Klingans diameter	165 mm	
Max. sågdjup	vid 0°	56 mm
	vid 45° vinkel	40 mm
	vid 48° vinkel	38 mm
Hastighet utan belastning	2 500 - 6 300 min ⁻¹	
Total längd	346 mm	
Märkspänning	36 V likström	
Nettovikt	4,4 - 5,1 kg	

- På grund av vårt pågående program för forskning och utveckling kan dessa specifikationer ändras utan föregående meddelande.
- Specifikationer och batterikassett kan variera mellan olika länder.
- Vikten kan variera beroende på tillbehören, inklusive batterikassett. Den lättaste och den tyngsta kombinationen enligt EPTA-procedur 01/2014 visas i tabellen.

Tillgänglig batterikassett och laddare

Batterikassett	BL1815N / BL1820B / BL1830B / BL1840B / BL1850B / BL1860B
Laddare	DC18RC / DC18RD / DC18RE / DC18SD / DC18SE / DC18SF / DC18SH / DC18WC

- Vissa av batterikassetterna och laddarna på listan ovan kanske inte finns tillgängliga i din region.

⚠ VARNING: Använd endast batterikassetter och laddare från listan ovan. Användning av andra batterikassetter och laddare kan orsaka personskada och/eller brand.

Avsedd användning

Verktyget är avsett för genomstickssågning. Verktyget är även avsett för längsgående och tvärgående sågning i trä. Om maskinen är utrustad med en lämplig cirkelsågklinga, kan maskinen användas för att såga i aluminium, plast, mineralinnehållande plast och liknande material.

Buller

Den normala bullernivån för A-belastning är bestämd enligt EN62841-2-5:

Modell DSP600

Ljudtrycksnivå (L_{pA}): 95 dB (A)
Ljudeffektnivå (L_{WA}): 103 dB (A)
Måttolerans (K): 3 dB (A)

Modell DSP601

Ljudtrycksnivå (L_{pA}): 95 dB (A)
Ljudeffektnivå (L_{WA}): 103 dB (A)
Måttolerans (K): 3 dB (A)

OBS: Det deklarerade bullervärdet har uppmätts i enlighet med standardtestmetoden och kan användas för jämförandet av en maskin med en annan.

OBS: Det deklarerade bulleremissionsvärdet kan också användas i en preliminär bedömning av exponering för vibration.

⚠ VARNING: Använd hörselskydd.

⚠ VARNING: Bulleremissionen under faktisk användning av maskinen kan skilja sig från det deklarerade värdet, beroende på hur maskinen används och särskilt vilken typ av arbetsstycke som behandlas.

⚠ VARNING: Var noga med att identifiera säkerhetsåtgärder för att skydda användaren, vilka är grundade på en uppskattning av graden av exponering för vibrationer under de faktiska användningsförhållandena, (ta, förutom avtryckartiden, med alla delar av användarcykeln i beräkningen, som till exempel tiden då maskinen är avstängd och när den går på tomgång).

Vibration

Det totala vibrationsvärdet (treaxlad vektorsumma) bestämt enligt EN62841-2-5:

Modell DSP600

Arbetsläge: sågning i trä
Vibrationsemission ($a_{h,W}$): 2,5 m/s² eller lägre
Måttolerans (K): 1,5 m/s²

Arbetsläge: sågning i metall
Vibrationsemission ($a_{h,W}$): 2,5 m/s² eller lägre
Måttolerans (K): 1,5 m/s²

Modell DSP601

Arbetsläge: sågning i trä
Vibrationsemission ($a_{h,W}$): 2,5 m/s² eller lägre

Måttolerans (K): 1,5 m/s²
Arbetsläge: sågning i metall
Vibrationsemission (a_{h,m}): 2,5 m/s² eller lägre
Måttolerans (K): 1,5 m/s²

OBS: Det deklarerade totala vibrationsvärdet har uppmätts i enlighet med standardtestmetoden och kan användas för jämförandet av en maskin med en annan.

OBS: Det deklarerade totala vibrationsvärdet kan också användas i en preliminär bedömning av exponering för vibration.

⚠ VARNING: Vibrationsemissionen under faktisk användning av maskinen kan skilja sig från det deklarerade värdet, beroende på hur maskinen används och särskilt vilken typ av arbetsstycke som behandlas.

⚠ VARNING: Var noga med att identifiera säkerhetsåtgärder för att skydda användaren, vilka är grundade på en uppskattning av graden av exponering för vibrationer under de faktiska användningsförhållandena, (ta, förutom avtryckartiden, med alla delar av användarcykeln i beräkningen, som till exempel tiden då maskinen är avstängd och när den går på tomgång).

Försäkran om överensstämmelse

Gäller endast inom EU

Försäkran om överensstämmelse ingår i bilaga A till denna bruksanvisning.

SÄKERHETSVARNINGAR

Allmänna säkerhetsvarningar för maskiner

⚠ VARNING Läs alla säkerhetsvarningar, instruktioner, illustrationer och specifikationer som medföljer detta elverktyg. Underlåtenhet att följa alla instruktioner nedan kan leda till elstöt, brand och/eller allvarliga personskador.

Spara alla varningar och instruktioner för framtida referens.

Termen "maskin" som anges i varningarna hänvisar till din eldrivna maskin (sladdansluten) eller batteridrivna maskin (sladdlös).

Säkerhetsvarningar för sladdlös cirkelsåg

Sågningsförfarande

- ⚠ FARA:** Håll alltid händerna borta från sågningsområdet. Håll den andra handen på det extra handtaget eller motorhuset. Om du håller i sågen med båda händerna kan de inte skadas av klingan.
- Sträck dig inte in under arbetsstycket.** Skyddet har ingen skyddsfunktion under arbetsstycket.

- Ställ in sågdjupet efter arbetsstyckets tjocklek.** Mindre än en hel sågtand får synas under arbetsstycket.
- Håll aldrig arbetsstycket i händerna eller i knäet vid kapning. Fäst arbetsstycket på ett stabilt underlag.** Det är viktigt att arbetsstycket stöds ordentligt för att minimera risken för skador, undvika att klingan fastnar eller att något oväntat inträffar.

► Fig.1

- Håll maskinen i de isolerade handtagen om det finns risk för att skärverktyget kan komma i kontakt med en dold elkabel.** Om skärverktyget kommer i kontakt med en strömförande ledning blir maskinens metalldelar strömförande och kan ge användaren en elektrisk stöt.
- Vid klyvsågning ska alltid ett parallell- eller sidoanslag användas.** Detta förbättrar noggrannheten vid sågningen och minskar risken för att klingan nyper fast.
- Använd alltid en sågklinga med rätt storlek och form (diamant respektive rund) på styrhålen.** Klingor som inte passar monteringsfästet i sågen löper ojämnt, vilket ger en okontrollerbar sågning.
- Använd aldrig en klingbricka eller bult som på något sätt är felaktig eller skadad.** Klingbrickorna och bulten är specialtillverkade till sågen för optimal prestanda och säkerhet.

Orsaker till bakåtkast och relaterade varningar

- Bakåtkast är en plötslig reaktion när ett sågblad kläms, fastnar eller är felinriktat och innebär att sågen kastas upp ur arbetsstycket.
- Om klingan kläms eller fastnar och sågskäret därmed stoppas, driver motorkraften sågen mot användaren i hög hastighet.
- Om klingan böjs eller blir felriktad i sågskäret kan sågtänderna på klingans bakkant gräva sig in på ytan av arbetsstycket, driva klingan ur skäret och kasta sågen bakåt mot användaren.

Bakåtkast beror på ovarsamhet och/eller felaktiga arbetsrutiner och kan undvikas genom att vidta nedanstående förebyggande åtgärder.

- Håll sågen stadigt med båda händerna och placera armarna så att de kan ta emot kraften från ett bakåtkast. Stå vid sidan av klingan och aldrig i dess linje.** Vid ett bakåtkast kastas sågen bakåt, men kraften i bakåtkastet kan kontrolleras av användaren om rätt försiktighetsåtgärder vidtas.
- Om klingan kläms eller av annan orsak hindras i skäret ska du släppa avtryckaren och hålla sågen stilla i skäret tills klingan har stannat. För att undvika bakåtkast ska du aldrig försöka ta bort sågen från arbetsstycket eller dra sågen bakåt när klingan är i rörelse.** Undersök och åtgärda orsaken till att klingan fastnar.
- När sågen startas igen i arbetsstycket ska du centrera sågklingan i skäret och kontrollera att ingen sågtand är i ingrepp i materialet.** Om sågbladet sitter fast i materialet kan sågen klättra upp eller medföra bakåtkast när sågen startas på nytt.
- Stötta långa arbetsstycken för att minimera**

riskerna för att klingan nyper fast och ger bakåtkast. Långa arbetsstycken böjs av sin egen tyngd. Placera stöd på båda sidorna, både nära såglinjen och vid kanten på arbetsstycket.

► Fig.2

► Fig.3

5. **Använd aldrig slöa eller skadade klingor.** En oskarp eller felinställd klinga ger ett trångt sågskär som orsakar onödigt friktion och klingan kan lättare fastna och ge bakåtkast.
6. **Klingdjup och nivåinställda låsspakar måste vara åtdragna och låsta innan sågning.** Om klingans justering skiftar under sågning kan det orsaka att den nyper fast och ger bakåtkast.
7. **Var extra uppmärksam vid sågning i väggar eller andra dolda utrymmen.** Den utskjutande klingan kan säga av föremål som kan orsaka bakåtkast.
8. **Håll ALLTID maskinen stadigt med båda händerna. Placera ALDRIG handen, benet eller någon annan kroppsdel under bottenplattan eller bakom sågen, i synnerhet vid tvärsågning.** Vid eventuella bakåtkast kan sågen lätt kastas bakåt mot handen och orsaka allvarliga skador.

► Fig.4

9. **Forcera aldrig sågen. Skjut sågen framåt med en sågningshastighet som låter klingan säga utan att tappa fart.** En såg som forceras ger ojämn skär, är svårare att styra och ger risk för bakåtkast.

Skyddets funktion

1. **Kontrollera att skyddet är stängt före varje sågning. Använd inte sågen om skyddet kärvar och inte omedelbart omsluter klingan. Kila aldrig fast eller bind fast skyddet så att klingan exponeras.** Om du tappar sågen kan skyddet böjas. Kontrollera, för alla sågvinklar och skärdjup, att skyddet inte kärvar eller vidrör klingan eller annan del.
2. **Kontrollera funktionen hos skyddets fjäder. Om skyddet eller fjädern inte fungerar på avsett sätt ska de delarna underhållas innan sågen används.** Skyddet kan fungera ojämnt på grund av skadade delar, gummiavlagringar eller andra ansamlingar.
3. **Kontrollera att sågens bordsplatta inte ändras under "genomsticket".** Om klingan förflyttar sig sidelängs finns risk för att klingan nyper fast och kastas bakåt.
4. **Kontrollera alltid att skyddet täcker klingan innan du ställer ned sågen på ett arbetsbord eller på golvet.** En oskyddad klinga som roterar medför att sågen vandrar bakåt och säger i allt som kommer i dess väg. Tänk på att det tar en stund innan klingan stannar efter att du har släppt avtryckaren.

Ytterligare säkerhetsvarningar

1. **Var extra försiktig vid sågning i fuktigt, tryckbehandlat och kvistigt trä.** Låt hela tiden verktyget föras fram smidigt utan att minska klingans hastighet, för att undvika att klingspetsarna överhettas och att plasten smälter om det är plast som kapas.

2. **Ta aldrig bort sågat material medan klingan rör sig. Vänta tills klingan har stannat innan du tar bort det sågade materialet.** Klingan stannar inte omedelbart när maskinen stängs av.
3. **Undvik att säga i spik. Kontrollera arbetsskyddet och ta bort alla spikar innan du börjar säga.**
4. **Placera större delen av sågbordet på den del av arbetsstycket som har ett fast stöd och inte på den del som ska sägas bort. Kläm fast arbetsstycken som är små eller korta. FÖRSÖK INTE ATT HÅLLA SMÅ ARBETSSTYCKEN I HANDEN!**

► Fig.5

5. **Kontrollera att skyddet är stängt och att klingan har stannat innan du ställer ifrån dig sågen.**
6. **Använd aldrig cirkelsågen upp-och-nedvänd i ett skruvstöd. Det är extremt farligt och kan leda till allvarliga olyckor.**

► Fig.6

7. **Vissa material kan innehålla giftiga kemikalier. Se till att du inte andas in damm eller får det på huden. Följ anvisningarna i leverantörens materialsäkerhetsblad.**
8. **Försök inte stoppa klingorna genom att trycka på dem.**
9. **Använd inte några slipskivor.**
10. **Använd endast sågklingor med den diameter som finns markerad på maskinen eller angiven i handboken.** Om en klinga med fel storlek används kan det påverka skyddet för klingan eller skyddets funktion vilket kan resultera i allvarlig personskada.
11. **Håll klingan vass och ren.** Gummi- och trärester på klingan hindrar sågningen och ökar risken för bakåtkast. Ta bort klingan från sågen och gör rent den med ett borttagningsmedel för gummi- och trärester, varmt vatten och fotogen. Använd aldrig bensin.
12. **Använd alltid andningsmask och hörselskydd när du arbetar med verktyget.**
13. **Använd alltid ett sågblad som är avsett för att skära i det avsedda materialet.**
14. **Använd endast sågblad som är märkta med ett maximalt varvtal som är lika med eller högre än varvtalet som är märkt på maskinen.**
15. **(Endast för länder i Europa)** Använd alltid blad som överensstämmer med EN847-1 när du säger i trä eller liknande.

SPARA DESSA ANVISNINGAR.

⚠ VARNING: GLÖM INTE att också fortsättningsvis strikt följa säkerhetsanvisningarna för maskinen även efter att du blivit van att använda den. Vid FELAKTIG HANTERING av maskinen eller om inte säkerhetsanvisningarna i denna bruksanvisning följs kan följden bli allvarliga personskadorna.

Viktiga säkerhetsanvisningar för batterikassetten

1. Innan batterikassetten används ska alla instruktioner och varningsmärken på (1) batteriladdaren, (2) batteriet och (3) produkten läsas.
2. **Montera inte isär eller mixtra med batterikassetten.** Det kan leda till brand, överdriven värme eller explosion.
3. **Om drifttiden blivit avsevärt kortare ska användningen avbrytas omedelbart.** Det kan uppstå överhettning, brännskador och t o m en explosion.
4. **Om du får elektrolyt i ögonen ska de sköljas med rent vatten och läkare uppsöks omedelbart.** Det finns risk för att synen förloras.
5. **Kortslut inte batterikassetten.**
 - (1) Rör inte vid polerna med något strömförande material.
 - (2) Undvik att förvara batterikassetten tillsammans med andra metallobjekt som t.ex. spikar, mynt o.s.v.
 - (3) **Skydda batteriet mot vatten och regn.** En batterikortslutning kan orsaka ett stort strömflöde, överhettning, brand och maskinhaveri.
6. Förvara och använd inte verktyget och batterikassetten på platser där temperaturen kan nå eller överstiga 50 °C.
7. **Bränn inte upp batterikassetten även om den är svårt skadad eller helt utsliten.** Batterikassetten kan explodera i öppen eld.
8. **Spika inte i, krossa, kasta, tappa eller slå batterikassetten mot hårda föremål.** Dylåka handlingar kan leda till brand, överdriven värme eller explosion.
9. **Använd inte ett skadat batteri.**
10. **De medföljande litiumjonbatterierna är föremål för kraven i gällande lagstiftning för farligt gods.**

För kommersiella transporter (av t.ex. tredje parter som speditorsfirmor) måste de särskilda transportkrav som anges på emballaget och etiketter iakttas.

För att förbereda den produkt som ska avsändas krävs att du konsulterar en expert på riskmaterial. Var också uppmärksam på att det i ditt land kan finnas ytterligare föreskrifter att följa.

Tejpa över eller maskera blottade kontakter och packa batteriet på sådant sätt att det inte kan röra sig fritt i förpackningen.
11. **När batterikassetten ska kasseras måste den tas bort från maskinen och kasseras på ett säkert sätt.** Följ lokala föreskrifter beträffande avfallshandtering av batterier.
12. **Använd endast batterierna med de produkter som specificerats av Makita.** Att använda batterierna med ej godkända produkter kan leda till brand, överdriven värme, explosion eller utläckande elektrolyt.
13. **Om maskinen inte används under en lång tid måste batteriet tas bort från maskinen.**
14. **Under och efter användning kan**

batterikassetten bli het vilket kan orsaka brännskador eller lättare brännskador. Var uppmärksam på hur du hanterar varma batterikassetter.

15. **Vidrör inte verktygets kontakter direkt efter användning eftersom de kan bli heta och orsaka brännskador.**
16. **Låt inte flisor, damm eller smuts fastna i kontaktarna, i hål eller spår i batterikassetten.** Det kan leda till att verktyget eller batterikassetten värms upp, fattar eld, går sönder eller inte fungerar som de ska, vilket kan orsaka brännskador eller personskador.
17. **Såvida inte verktyget stöder arbeten i närheten av högspänningsledning för batterikassetten inte användas i närheten av en högspänningsledning.** Det kan leda till att verktyget eller batterikassetten går sönder eller inte fungerar korrekt.
18. **Förvara batteriet utom räckhåll för barn.**

SPARA DESSA ANVISNINGAR.

⚠FÖRSIKTIGT: Använda endast äkta Makita-batterier. Användning av oäkta Makita-batterier eller batterier som har manipulerats kan leda till person- och utrustningsskador eller till att batteriet fattar eld. Det upphäver också Makitas garanti för verktyget och laddaren.

Tips för att uppnå batteriets maximala livslängd

1. **Ladda batterikassetten innan den är helt urladdad.** Stanna alltid maskinen och ladda batterikassetten när du märker att maskinen blir svagare.
2. **Ladda aldrig en fulladdad batterikasset.** Överladdning förkortar batteriets livslängd.
3. **Ladda batterikassetten vid en rumstemperatur på 10 °C - 40 °C.** Låt en varm batterikasset svalna innan den laddas.
4. **När batterikassetten inte används ska den tas bort från verktyget eller laddaren.**
5. **Ladda batterikassetten om du inte har använt den på länge (mer än sex månader).**

Viktiga säkerhetsanvisningar för den trådlösa enheten

1. **Montera inte isär eller manipulera den trådlösa enheten.**
2. **Förvara den trådlösa enheten utom räckhåll för barn.** Om den råkar sväljas, sök omedelbart läkarhjälp.
3. **Använd den trådlösa enheten endast ihop med Makita-verktyg.**
4. **Utsätt inte den trådlösa enheten för regn eller våta förhållanden.**
5. **Använd inte den trådlösa enheten på platser där temperaturen överstiger 50 °C.**
6. **Använd inte den trådlösa enheten på platser där medicinska instrument som pacemakers finns i närheten.**
7. **Använd inte den trådlösa enheten på platser där automatiska enheter finns i närheten.** Om

de är igång kan automatiska enheter utveckla funktionsstörningar eller fel.

8. Använd inte den trådlösa enheten på platser med hög temperatur eller där det kan skapas statisk elektricitet eller elektriskt brus.
9. Den trådlösa enheten kan alstra elektromagnetiska fält (EMF) men dessa är inte skadliga för användaren.
10. Den trådlösa enheten är ett noggrant instrument. Var försiktig så att du inte råkar tappa den trådlösa enheten eller utsätta den för stötar.
11. Undvik att vidröra den trådlösa enhetens terminal med bara händer eller metallmaterial.
12. Ta alltid bort batteriet på produkten när du installerar den trådlösa enheten på den.
13. När du öppnar skårens lock, undvik då det ställe där damm och vatten kan komma in i skåran. Håll alltid skårens inlopp rent.
14. Sätt alltid in den trådlösa enheten i rätt riktning.
15. Tryck inte för hårt på knappen för trådlös aktivering på den trådlösa enheten, och tryck inte på knappen med ett föremål med vass kant.
16. Stäng alltid skårens lock vid körning.
17. Ta inte bort den trådlösa enheten från skåran medan ström tillförs till verktyget. Att göra det kan orsaka funktionsfel på den trådlösa enheten.
18. Ta inte bort dekalen på den trådlösa enheten.
19. Sätt inte någon dekal på den trådlösa enheten.
20. Lämna inte den trådlösa enheten någonstans där det kan skapas statisk elektricitet eller elektriskt brus.
21. Lämna inte den trådlösa enheten någonstans där den utsätts för hög värme, t.ex. en bil i solen.
22. Lämna inte den trådlösa enheten på ett dammigt eller pulvrigt ställe eller någonstans där korrosiv gas kan bildas.
23. Plötsliga temperaturförändringar kan göra den trådlösa enheten daggbestänkt. Använd inte den trådlösa enheten förrän daggen helt har torkat bort.
24. När den trådlösa enheten rengörs, torka den då med en torr mjuk duk. Använd inte tvättbensen, thinner, konduktivt fett eller liknande.
25. När den trådlösa enheten ska tas i förvar, ha den då i det tillhörande fodralet eller en behållare med skydd mot statisk laddning.
26. Sätt inte in några andra enheter än den trådlösa Makita-enheten i skåran på verktyget.
27. Använd inte verktyget om skårens lock är skadat. Det kan komma in vatten, damm och smuts i skåran som orsakar funktionsfel.
28. Dra eller vrid inte skårens lock mer än nödvändigt. Sätt tillbaka locket om det lossnar från verktyget.
29. Ersätt skårens lock om det går förlorat eller skadas.

SPARA DESSA ANVISNINGAR.

FUNKTIONSBE- SKRIVNING

⚠FÖRSIKTIGT: Se alltid till att maskinen är avstängd och batterikassetten borttagen innan du justerar maskinen eller kontrollerar dess funktioner.

Montera eller demontera batterikassetten

⚠FÖRSIKTIGT: Stäng alltid av maskinen innan du monterar eller tar bort batterikassetten.

⚠FÖRSIKTIGT: Håll stadigt i maskinen och batterikassetten när du monterar eller tar bort batterikassetten. I annat fall kan det leda till att de glider ur dina händer och orsakar skada på maskinen och batterikassetten samt personskada.

Sätt i batterikassetten genom att rikta in tungan på batterikassetten mot spåret i höljet och skjut den på plats. Tryck in batterikassetten ordentligt tills den låser fast med ett klick. Om du kan se den röda indikatorn som bilden visar är den inte låst ordentligt.

Ta bort batterikassetten genom att skjuta ner knappen på kassetten framsida samtidigt som du drar ut batterikassetten.

► Fig. 7: 1. Röd indikator 2. Knapp 3. Batterikassett

⚠FÖRSIKTIGT: Sätt alltid i batterikassetten helt tills den röda indikatorn inte längre syns. I annat fall kan den oväntat falla ur verktyget och skada dig eller någon annan.

⚠FÖRSIKTIGT: Montera inte batterikassetten med våld. Om kassetten inte lätt glider på plats är den felinsatt.

OBS: Maskinen fungerar inte med endast en batterikassett.

Skyddssystem för maskinen/ batteriet

Maskinen är utrustad med ett skyddssystem för maskinen-/batteriet. Detta system bryter automatiskt strömmen till motorn för att förlänga maskinens och batteriets livslängd. Maskinen stoppar automatiskt under användningen om maskinen eller batteriet hamnar i en av följande situationer. Indikatorerna tänds i vissa situationer.

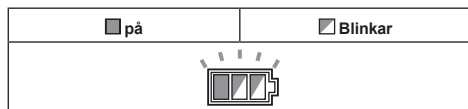
Överbelastningsskydd

Om maskinen används på ett sätt som gör att det drar onormalt mycket ström kan maskinen stoppa automatiskt. Stäng då av maskinen och stoppa åtgärden som gjorde att den överbelastades. Starta därefter upp maskinen igen.

Överhettningsskydd

När maskinen blir överhettad stannar den av automatiskt och batteriindikatorn blinkar i cirka 60 sekunder.

Låt maskinen svalna innan du startar den igen.



Överurladdningsskydd

När batteriets kapacitet är låg stoppar maskinen automatiskt. Om produkten inte fungerar trots att knapparna fungerar som de ska tar du bort batterierna från maskinen och laddar dem.

Indikerar kvarvarande batterikapacitet

- **Fig.8:** 1. Batteriindikator (för det övre batteriet)
2. Kontrollknapp 3. Batteriindikator (för det nedre batteriet)

Tryck på kontrollknappen för att se kvarvarande batterikapacitet. Batteriindikeringarna motsvarar varje batteri.

Batteriindikatorstatus			Kvarvarande batterikapacitet
<input type="checkbox"/> På	<input type="checkbox"/> Av	<input checked="" type="checkbox"/> Blinkar	
			50 % till 100 %
			20 % till 50 %
			0 % till 20 %
			Ladda batteriet

Indikerar kvarvarande batterikapacitet

Endast för batterikassetter med indikator

Tryck på kontrollknappen på batterikassetten för att se kvarvarande batterikapacitet. Indikatorlamporna lyser i ett par sekunder.

- **Fig.9:** 1. Indikatorlampor 2. Kontrollknapp

Indikatorlampor			Kvarvarande kapacitet
Upplyst	Av	Blinkar	
■	□	◐	
■	■	□	
■	■	□	
■	□	□	
■	□	□	75% till 100%
■	■	□	50% till 75%
■	■	□	25% till 50%
■	□	□	0% till 25%

Indikatorlampor			Kvarvarande kapacitet
Upplyst	Av	Blinkar	
■	□	◐	
■	□	□	
■	■	□	
■	■	□	
■	□	□	
■	□	□	
■	□	□	Batteriet kan ha skadats.

OBS: Beroende på användningsförhållanden och den omgivande temperaturen kan indikationen skilja sig lätt från den faktiska batterikapaciteten.

OBS: Den första (längst till vänster) indikatorlampan kommer att blinka när batteriskyddssystemet fungerar.

Funktion för automatisk ändring av hastighet

OBS: Den automatiska funktionen för hastighetsändring är endast tillgänglig när hastighetsjusteringsvredet är på 5.

Maskinen har ett höghastighetsläge och ett läge för högt vridmoment.

Maskinen ändrar automatiskt driftläge beroende på arbetsbelastningen. När arbetsbelastningen är låg körs maskinen i "Höghastighetsläge" för snabbare kapning. När arbetsbelastningen är hög körs maskinen i "Läge för högt vridmoment" för kraftig kapning.

- **Fig.10:** 1. Lägesindikator

Lägesindikatorn lyser grönt när maskinen körs i "Läge för högt vridmoment".

Om maskinen används med överdriven belastning kommer lägesindikatorn blinka grönt. Lägesindikatorn slutar blinka och tänds eller släcks om du reducerar maskinens belastning.

Lägesindikatorstatus			Driftläge
<input checked="" type="radio"/> På	<input type="radio"/> Av	<input checked="" type="radio"/> Blinkar	
<input checked="" type="radio"/>	<input type="radio"/>	<input type="radio"/>	Höghastighetsläge
<input checked="" type="radio"/>	<input type="radio"/>	<input type="radio"/>	Läge för högt vridmoment
<input checked="" type="radio"/>	<input type="radio"/>	<input type="radio"/>	Överbelastningsvarning

Justera sågdjupet

⚠FÖRSIKTIGT: Dra alltid åt låsskruven ordentligt efter att skärddjupet justerats.

Lossa låsskruven på djupanslaget och flytta det nedre klinggrännsstoppet till rätt djup på skalan. Dra alltid åt låsskruven ordentligt efter inställningen av skärddjup. Bästa sågresultat och säkraste sågning erhålls om

sågdjupet ställs in så att endast en sågtand syns på arbetsstyckets undersida. Rätt inställning av sågdjup bidrar till att minska risken för farliga BAKÅTKAST, som kan orsaka allvarliga personskador.

► **Fig.11:** 1. Nedre klinggränsstopp 2. Spännskruv

Snabbstoppknapp för 2 - 3 mm skärdjup när löpskena (valfritt tillbehör) används

Maskinen är utrustad med en snabbstoppknapp, placerad på växelådhuset intill bakre handtaget, för ett skärdjup på 2 - 3 mm när löpskena används. Använd denna funktion när du vill undvika att arbetsstycket splittras under sågningen. Gör en försågning med ett spår på 2 - 3 mm före den ordinarie sågningen.

► **Fig.12:** 1. Snabbstoppknapp

Skärdjupet på 2 - 3 mm erhålls genom att du skjuter snabbstoppknappen mot sågklingen. Detta är ett praktiskt sätt att förebygga att arbetsstycket splittras. Dra tillbaka knappen för att ta bort djupinställningsstoppet.

Vinkelsågning

Lossa låsskruvarna. Ställ in lämplig vinkel genom att luta maskinen i enlighet därmed och dra åt låsskruven.

► **Fig.13:** 1. Spännskruv 2. Vinkelskala

► **Fig.14:** 1. Bottenplatta (Valfria tillbehör)
2. Spännskruv

Lägesstopp

Lägesstoppet är användbart för att snabbt ställa in avsedd vinkel. Vrid det fasta stoppet så att pilen pekar på 22,5°. Lossa låsskruvarna på fram- och baksidan. Luta klingan så långt det går och skruva sedan fast plattan med låsskruvarna.

► **Fig.15:** 1. Lägesstopp 2. Spännskruv

48° vinkelsågning

För att utföra vinkelsågning med 48° vinkel, lossa på låsskruvarna och luta spaken hela vägen i samma riktning som pilen i bilden. Ställ sedan in vinkeln på 48° och dra åt låsskruvarna.

► **Fig.16:** 1. Spår

-1° vinkelsågning

För att utföra vinkelsågning med -1° vinkel, lossa på låsskruvarna och tryck spärarna hela vägen i samma riktning som pilen i bilden. Ställ sedan in vinkeln på -1° och dra åt låsskruvarna.

► **Fig.17:** 1. Spår

Inriktning

► **Fig.18:** 1. Bottenplatta

Såglinjen varierar beroende på sågvinkeln och huruvida du använder löpskena eller inte (valfritt tillbehör).

Använda maskinen utan löpskena

För raka skär används position A framtill på sågbordet för att rikta in såglinjen. För 45° vinkelsågning används

position B.

Använda maskinen med löpskena

Både vid rätvinkliga skär och 45° vinkelsågning ska position A i bottenplattans framkant alltid riktas in mot skärinjen.

Avtryckarens funktion

⚠ VARNING: Innan du sätter i batterikassetten i maskinen ska du kontrollera att avtryckaren fungerar och återgår till läget "OFF" när du släpper den.

⚠ VARNING: Sätt ALDRIG säkerhetsknappens funktion ur spel genom att t.ex. tejpa fast den.

I annat fall kan följden bli oavsiktlig aktivering och allvarlig personskada.

⚠ VARNING: Använd ALDRIG verktyget om det startar när du trycker in avtryckaren utan att ha tryckt in säkerhetsknappen. En säkerhetsknapp som behöver repareras kan orsaka oavsiktlig aktivering och allvarlig personskada. Returnera verktyget till ett Makita-servicecenter för reparation INNAN du fortsätter att använda det.

En säkerhetsknapp förhindrar oavsiktlig aktivering av avtryckaren. Starta verktyget genom att först trycka in säkerhetsknappen och sedan avtryckaren. Släpp avtryckaren för att stoppa verktyget.

► **Fig.19:** 1. Avtryckare 2. Startspärr

⚠ OBSERVERA: Tryck inte in avtryckaren hårt utan att ha tryckt in säkerhetsknappen. Det kan skada avtryckaren.

Ratt för hastighetsinställning

Maskinens hastighet justeras genom att du vrider på ratten. Klingans rotationshastighet ökar när du ökar numret på ratten för hastighetsinställning.

► **Fig.20:** 1. Ratt för hastighetsinställning

Se tabellen för att välja rätt hastighet för det arbetsstycke som skall sågas. Passande hastighet kan däremot variera beroende på arbetsstyckets tjocklek. Generellt sett kan du med en snabbare hastighet såga stycken snabbare, men livslängden för sågbladet minskar.

Nummer	Klingans rotationshastighet per minut (min ⁻¹)
1	2 500 min ⁻¹
2	2 900 min ⁻¹
3	3 900 min ⁻¹
4	4 900 min ⁻¹
5	6 300 min ⁻¹

⚠ FÖRSIKTIGT: Hastighetsinställningen är inte avsedd för sågklingor av låghastighetstyp utan för att du ska kunna ställa in en lämplig hastighet för det material du ska såga i. Använd endast sågklingor som är klassade för minst den maximala hastigheten utan last som anges i SPECIFIKATIONERNA.

OBSERVERA: Ratten för hastighetsinställning kan endast vridas upp till 5 och tillbaka till 1. Tvinga den inte förbi 5 eller 1, eftersom hastighetsinställningen då kan sättas ur funktion.

Elektronisk funktion

Följande elektroniska funktioner underlättar användningen av maskinen.

Överbelastningsskydd

När maskinen överbelastas och strömmen överstiger en viss nivå stängs maskinen automatiskt av för att skydda motorn.

Konstant hastighetskontroll

Elektronisk hastighetskontroll för att erhålla en konstant hastighet. Detta alternativ ger dig möjlighet att få en fin finish eftersom den roterande hastigheten hålls konstant även vid hög belastning.

Mjukstartfunktion

Mjukstart genom att startkrafterna undertrycks.

MONTERING

⚠ FÖRSIKTIGT: Se alltid till att maskinen är avstängd och batterikassetten borttagen innan du underhåller maskinen.

Förvaring av insexnyckel

Förvara insexnyckeln enligt figuren när den inte används, så att du alltid har den till hands.

► **Fig.21:** 1. Insexnyckel

Demontering eller montering av cirkelsågklinga

⚠ FÖRSIKTIGT: Se till att montera cirkelsågklingan med sågtänderna uppåt i verktygets framkant.

⚠ FÖRSIKTIGT: Använd endast medföljande insexnyckel från Makita för att montera eller demontera cirkelsågklingan.

Demontera cirkelsågblad:

1. Tryck ner startspärren och sänk ned handtaget lite grann. Vrid låsspaken och sänk handtaget tills låspinne passar i hålet.

► **Fig.22:** 1. Startspärr 2. Säkerhetsspärr 3. Låspinne 4. Hål för låspinne

2. Trycka på spindellåset helt så att sågbladet inte kan rotera och lossa sexkantbulten med insexnyckeln.

► **Fig.23:** 1. Spindellås 2. Insexnyckel 3. Dra åt 4. Lossa

3. Ta bort sexkantbulten, den yttre flänsen och cirkelsågbladet.

► **Fig.24:** 1. Sexkantbult 2. Yttre fläns 3. Inre fläns 4. Cirkelsågblad

⚠ WARNING: Om den inre flänsen tas bort, kontrollera att du sedan monterar den på spindeln. Vid montering, välj den sida där den utskjutande delen passar in perfekt i sågbladets hål. Att montera sågbladet på fel sida kan resultera i farliga vibrationer.

Montera cirkelsågbladet genom att följa borttagningsproceduren i omvänd ordning. Tryck ner startspärren för att lossa låspinne från hålet.

⚠ WARNING: SE TILL ATT SEXKANTBULTEN DRAS ÅT ORDENTLIGT. Var också nogga med att inte dra åt bulten med våld. Om insexnyckeln glider ur handen kan den orsaka personskada.

Rengöring av klingskydd

Vid byte av cirkelsågblad, se till att även göra rent klingskyddet från sågdamm enligt avsnittet om underhåll. Detta ersätter inte det nödvändiga i att kontrollera att skydden fungerar som de ska före varje användning.

Ansluta en dammsugare

Valfria tillbehör

Anslut en dammsugare från Makita när du vill ha rent under sågningen. Anslut dammsugarslangen till dammunstycket med främre kopplingar 24.

► **Fig.25:** 1. Slang på dammsugare 2. Främre kopplingar 24 3. Dammunstycke

ANVÄNDNING

⚠ FÖRSIKTIGT: Se till att verktyget förs framåt varsamt i en rät linje. Om du tvingar eller vrider sågen överhettas motorn och det finns risk för kraftiga bakåtkast som kan medföra allvarliga skador.

⚠ FÖRSIKTIGT: Se till att inte ha någon del av kroppen under bottenplattan vid sektionssågning, i synnerhet vid start. I annat fall finns risk för allvarliga personskador. Klingan är exponerad under bottenplattan.

OBS: När batterikassetten temperatur är låg kan det hända att verktyget inte arbetar med full styrka. Använd då exempelvis verktyget för ett lätt sågarbete ett tag tills batterikassetten värms upp till rumstemperatur. Sedan kan verktyget arbeta med full styrka.

Sektionssågning (normal sågning)

► **Fig.26**

Håll verktyget i ett fast grepp. Verktyget är försett med handtag både fram och bak. Använd båda handtagen för att hålla verktyget stadigt. Om du håller sågen med båda händerna kan de inte skadas av cirkelsågbladet. Placera bottenplattan på arbetsstycket utan att cirkelsågbladet kommer i kontakt med det. Tryck sedan in säkerhetsspärren och tryck in avtryckaren. Vänta tills cirkelsågbladet uppnår full hastighet. Rör nu såghuvudet sakta till det förinställda sågdjupet och för maskinen

framåt över arbetsstyckets yta. Håll maskinen platt mot ytan och fortsätt framåt tills sågningen är klar.

För att få en renare sågning ska du hålla rak såglinje och jämn hastighet framåt. Försök inte att vrida eller tvinga verktyget tillbaka till såglinjen om den avsedda såglinjen inte kan följas. Cirkelsågbladet kan då fastna, vilket kan leda till ett farligt bakåtkast med risk för allvarliga skador som följd. Släpp avtryckaren, vänta tills cirkelsågbladet har stannat och ta sedan bort verktyget. Rikta in verktyget mot en ny såglinje och starta sågningen på nytt. Undvik att stå så att du utsätts för spån och damm som kastas ut från sågen. Använd skyddsglasögon för att undvika skador.

Styrskena

Valfria tillbehör

Placera sågen i löpskenans bakkant. Vrid de två inställningsskruvarna på bottenplattan så att sågen glider mjukt utan skrammel. Håll stadigt i både det främre och det bakre handtaget. Starta maskinen, tryck ned den till det förinställda skärdjupet och såga hela skäret längs splitterskyddet i ett moment. Nu motsvarar kanten på splitterskyddet skärinjen.

► **Fig.27:** 1. Inställningsskruvar

Vid vinkelsågning med löpskena, använd spaken på bottenplattan för att maskinen inte ska falla åt sidan. Skjut spaken på bottenplattan i pilens riktning så att den fastnar i löpskenans spår.

► **Fig.28:** 1. Spak på bottenplatta

Bottenplatta (styrskena)

Valfria tillbehör

Genom att använda bottenplattan som styrskena kan du utföra extra noggranna raka skär. Lossa på låsskruvarna och skjut ut bottenplattan från maskinen och sätt därefter in den upp och ner.

► **Fig.29:** 1. Spännskruv 2. Bottenplatta

Placera bottenplattans anhängel dikt an mot arbetsstyckets sida och lås fast det med låsskruvarna. Det kan även användas när du vill såga flera arbetsstycken med samma bredd.

► **Fig.30:** 1. Spännskruv 2. Bottenplatta

Genomstickssågning (utskärning)

⚠ VARNING: Följ nedanstående anvisningar för att undvika bakåtkast.

► **Fig.31:** 1. Bottenplattans bakre kant 2. Fast stopp

När du använder maskinen utan löpskena, placera maskinen på arbetsstycket med bottenplattans bakkant mot ett fast stopp eller motsvarande användarmonterat stödstopp.

När du använder maskinen med löpskena, placera maskinen på löpskenan med bottenplattans bakkant mot ett fast stopp eller motsvarande som är fastsatt på löpskenan.

Håll maskinen i ett fast grepp med ena handen på främre handtaget och den andra på maskinhandtaget. Tryck in startspärren, starta maskinen och vänta tills klingan uppnått full hastighet. Tryck långsamt ned

såghuvudet till det förinställda skärdjupet och för sedan maskinen framåt till positionen för genomsticket.

OBS: Markeringarna på sidan av klingskyddet visar det främre och bakre läget för klingan vid maximalt skärdjup med löpskena.

► **Fig.32:** 1. Främre kappunkt 2. Bakre kappunkt

Styrverktyg

Valfria tillbehör

Vinkelskena används för exakt geringssågning och finsnickrier.

Använd tvingar för att säkerställa att arbetsstycket sitter ordentligt fast på bordet.

FUNKTION FÖR TRÅDLÖS AKTIVERING

Endast för DSP601

Vad du kan göra med funktionen för trådlös aktivering

Funktionen för trådlös aktivering möjliggör en ren och bekväm körning. Genom att ansluta en dammsugare som stöds till verktyget, kan du göra så att dammsugaren automatiskt körs samtidigt som du använder verktygets knappfunktion.

► **Fig.33**

Gör i ordning följande artiklar för att använda funktionen för trådlös aktivering:

- En trådlös enhet (valfritt tillbehör)
- En dammsugare som har stöd för funktionen för trådlös aktivering

Översikten över inställningen av funktionen för trådlös aktivering är följande. Se detaljerade rutiner i varje avsnitt.

1. Installera den trådlösa enheten
2. Verktygsregistrering för dammsugaren
3. Starta funktionen för trådlös aktivering

Installera den trådlösa enheten

Valfria tillbehör

⚠ FÖRSIKTIGT: Placera verktyget på en platt och stabil yta när den trådlösa enheten installeras.

OBSERVERA: Rensa bort damm och smuts från verktyget innan den trådlösa enheten installeras. Damm eller smuts kan orsaka funktionsfel om det kommer in i skåran på den trådlösa enheten.

OBSERVERA: För att förebygga funktionsfel till följd av statisk laddning vidrör du ett statiskt urladdande material, t.ex. en metalldel på verktyget, innan du plockar upp den trådlösa enheten.

OBSERVERA: Se alltid till när du installerar den trådlösa enheten att den är insatt i rätt riktning och att locket är helt stängt.

1. Öppna locket på verktyget enligt figuren.

► **Fig.34:** 1. Lucka

2. Sätt in den trådlösa enheten i skåran och stäng sedan locket.

När du sätter in den trådlösa enheten, passa då in de utskjutande delarna med de insänkta delarna i skåran.

► **Fig.35:** 1. Trådlös enhet 2. Utskjutande del 3. Lucka 4. Insänkt del

Öppna locket långsamt när du tar bort den trådlösa enheten. Krokarna på lockets baksida lyfter den trådlösa enheten när du drar upp locket.

► **Fig.36:** 1. Trådlös enhet 2. Krok 3. Lucka

När den trådlösa enheten tagits bort, ha den då i det tillhörande fodralet eller en behållare med skydd mot statisk laddning.

OBSERVERA: Använd alltid krokarna på lockets baksida när du tar bort den trådlösa enheten. Om krokarna inte fångar upp den trådlösa enheten, stänger du locket helt och öppnar det långsamt igen.

Verktysregistrering för dammsugaren

OBS: För verktysregistreringen krävs en Makita-dammsugare som har stöd för den trådlösa aktiveringsfunktionen.

OBS: Avsluta installationen av den trådlösa enheten till verktyget innan du inleder verktysregistreringen.

OBS: Använd inte avtryckaren under verktysregistreringen och vrid inte på strömbrytaren på dammsugaren.

OBS: Se också bruksanvisningen för dammsugaren.

Om du vill aktivera dammsugaren tillsammans med verktygets knappfunktion, ska du slutföra verktysregistreringen i förväg.

1. Installera batterierna till dammsugaren och verktyget.

2. Sätt dammsugarens stand-by-omkopplare på "AUTO".

► **Fig.37:** 1. Stand-by-omkopplare

3. Tryck på knappen för trådlös aktivering på dammsugaren i 3 sekunder tills lampan för trådlös aktivering blinkar grönt. Tryck sedan på knappen för trådlös aktivering på verktyget på samma sätt.

► **Fig.38:** 1. Knapp för trådlös aktivering 2. Lampa för trådlös aktivering

Om dammsugaren och verktyget har kopplats ihop ordentligt, kommer lamporna för trådlös aktivering att lysa grönt i 2 sekunder och börja blinka i blått.

OBS: Lamporna för trådlös aktivering slutar blinka grönt efter att 20 sekunder har gått. Tryck på knappen för trådlös aktivering på maskinen när lampan för trådlös aktivering på dammsugaren blinkar. Om lampan för trådlös aktivering inte blinkar grönt, trycker du kort på knappen för trådlös aktivering och håller in den igen.

OBS: När du utför två eller flera verktysregistreringar för en dammsugare avslutar du verktysregistreringarna en och en.

Starta funktionen för trådlös aktivering

OBS: Avsluta verktysregistreringen för dammsugaren före den trådlösa aktiveringen.

OBS: Se också bruksanvisningen för dammsugaren.

Efter att ett verktyg registrerats till dammsugaren kommer den att köras automatiskt tillsammans med verktygets knappfunktion.

1. Installera den trådlösa enheten till verktyget.

2. Anslut dammsugarslangens till verktyget.

► **Fig.39**

3. Sätt dammsugarens stand-by-omkopplare på "AUTO".

► **Fig.40:** 1. Stand-by-omkopplare

4. Tryck kort på knappen för trådlös aktivering på verktyget. Lampan för trådlös aktivering blinkar blått.

► **Fig.41:** 1. Knapp för trådlös aktivering 2. Lampa för trådlös aktivering

5. Slå på verktyget. Kontrollera att dammsugaren är igång när verktyget används.

För att stoppa den trådlösa aktiveringen av dammsugaren trycker du på knappen för trådlös aktivering på verktyget.

OBS: Lampan för trådlös aktivering på verktyget slutar blinka blått när ingen användning har skett på 2 timmar. Sätt i så fall standby-omkopplaren på dammsugaren på "AUTO" och tryck igen på knappen för trådlös aktivering på verktyget.

OBS: Dammsugaren startar/stannar med en fördröjning. Det blir en tidsfördröjning när dammsugaren känner av en knappfunktion från verktyget.

OBS: Sändningsavståndet till den trådlösa enheten kan variera beroende på plats och omständigheter i omgivningen.

OBS: När två eller flera verktyg är registrerade till en dammsugare, kan dammsugaren gå igång även om du inte slår på verktyget eftersom en annan användare använder funktionen för trådlös aktivering.

Beskrivning av status för lampan för trådlös aktivering

► **Fig.42:** 1. Lampa för trådlös aktivering

Lampan för trådlös aktivering visar status för den trådlösa aktiveringsfunktionen. Se innebörden av lampans status i tabellen nedan.

Status	Lampa för trådlös aktivering				Beskrivning
	Färg	<input type="checkbox"/> På	<input type="checkbox"/> Blinkar	Varaktighetstid	
Standby	Blå	<input checked="" type="checkbox"/>		2 timmar	Den trådlösa aktiveringen av dammsugaren är tillgänglig. Lampan släcks automatiskt när ingen användning har ägt rum på 2 timmar.
		<input type="checkbox"/>		När verktyget är igång.	Den trådlösa aktiveringen av dammsugaren är tillgänglig och verktyget är igång.
Verktysregistrering	Grön	<input checked="" type="checkbox"/>		20 sekunder	Redo för verktysregistrering. Väntar på registrering från dammsugaren.
		<input type="checkbox"/>		2 sekunder	Verktysregistreringen har avslutats. Lampan för trådlös aktivering börjar blinka blått.
Upphåver verktysregistrering	Röd	<input checked="" type="checkbox"/>		20 sekunder	Redo för att upphäva verktysregistreringen. Väntar på upphävande från dammsugaren.
		<input type="checkbox"/>		2 sekunder	Upphävandet av verktysregistreringen har avslutats. Lampan för trådlös aktivering börjar blinka blått.
Övriga	Röd	<input type="checkbox"/>		3 sekunder	Ström tillförs till den trådlösa enheten och funktionen för trådlös aktivering startar.
	Av	-		-	Den trådlösa aktiveringen av dammsugaren stoppas.

Upphåver verktysregistrering för dammsugaren

Utför följande rutin vid upphävande av verktysregistreringen för dammsugaren.

1. Installera batterierna till dammsugaren och verktyget.
2. Sätt dammsugarens stand-by-omkopplare på "AUTO".
► **Fig.43:** 1. Stand-by-omkopplare
3. Tryck på knappen för trådlös aktivering på dammsugaren i 6 sekunder. Lampan för trådlös aktivering blinkar grönt och blir sedan röd. Tryck sedan på

knappen för trådlös aktivering på verktyget på samma sätt.

► **Fig.44:** 1. Knapp för trådlös aktivering 2. Lampa för trådlös aktivering

Om upphävandet har utförts ordentligt, kommer lamporna för trådlös aktivering att lysa rött i 2 sekunder och börja blinka i blått.

OBS: Lamporna för trådlös aktivering slutar blinka rött efter att 20 sekunder har gått. Tryck på knappen för trådlös aktivering på maskinen när lampan för trådlös aktivering på dammsugaren blinkar. Om lampan för trådlös aktivering inte blinkar rött, trycker du kort på knappen för trådlös aktivering och håller in den igen.

Felsökning för funktionen för trådlös aktivering

Innan du ber om reparation ska du först utföra en egen kontroll. Om du hittar ett problem som inte finns förklarad i bruksanvisningen ska du inte försöka att ta isär maskinen. Fråga istället ett auktoriserad servicecenter för Makita, och använd alltid reservdelar från Makita för reparationer.

Feltillstånd	Trolig orsak (felsfunktion)	Åtgärd
Lampan för trådlös aktivering lyser/ blinkar inte.	Den trådlösa enheten är inte installerad till verktyget. Den trådlösa enheten är felaktigt installerad till verktyget.	Installera den trådlösa enheten korrekt.
	Den trådlösa enhetens kontakt och/eller skåran är smutsig.	Torka försiktigt av damm och smuts på den trådlösa enhetens kontakt och rengör skåran.
	Knappen för trådlös aktivering på verktyget har inte tryckts.	Tryck kort på knappen för trådlös aktivering på verktyget.
	Stand-by-omkopplaren på dammsugaren är inte satt på "AUTO".	Sätt dammsugarens stand-by-omkopplare på "AUTO".
	Ingen strömtillförsel	Koppla in ström till verktyget och dammsugaren.

Feltillstånd	Trolig orsak (felsfunktion)	Åtgärd
Kan inte avsluta verktygsregistrering/ upphäva verktygsregistrering.	Den trådlösa enheten är inte installerad till verktyget. Den trådlösa enheten är felaktigt installerad till verktyget.	Installera den trådlösa enheten korrekt.
	Den trådlösa enhetens kontakt och/eller skåran är smutsig.	Torka försiktigt av damm och smuts på den trådlösa enhetens kontakt och rengör skåran.
	Stand-by-omkopplaren på dammsugaren är inte satt på "AUTO".	Sätt dammsugarens stand-by-omkopplare på "AUTO".
	Ingen strömtillförsel	Koppla in ström till verktyget och dammsugaren.
	Felaktig funktion	Tryck kort på knappen för trådlös aktivering och utför rutinerna för verktygsregistrering-/upphävande igen.
	Verktyget och dammsugaren är åtskilda från varandra (utanför sändningsområdet).	Se till att verktyget och dammsugaren hamnar närmare varandra. Det maximala sändningsavståndet är ca 10 m, men det kan variera beroende på omständigheterna.
	Innan verktygsregistreringen/-upphävandet avslutas: - verktygets omkopplare har slagits på, - strömknappen på dammsugaren har slagits på.	Tryck kort på knappen för trådlös aktivering och utför rutinerna för verktygsregistrering-/upphävande igen.
	Verktygsregistreringsrutinerna för verktyget eller dammsugaren har inte slutförts.	Utför verktygsregistreringsrutinerna för både verktyget och dammsugaren på samma gång.
	Radiostörningar från andra apparater som skapar högtintensiva radiovågor.	Håll verktyget och dammsugaren borta från apparater som WiFi-enheter och mikrovågsugnar.
Damsugaren är inte igång samtidigt som verktygets knappfunktion.	Den trådlösa enheten är inte installerad till verktyget. Den trådlösa enheten är felaktigt installerad till verktyget.	Installera den trådlösa enheten korrekt.
	Den trådlösa enhetens kontakt och/eller skåran är smutsig.	Torka försiktigt av damm och smuts på den trådlösa enhetens kontakt och rengör skåran.
	Knappen för trådlös aktivering på verktyget har inte tryckts.	Tryck kort på knappen för trådlös aktivering och försäkra dig om att lampan för trådlös aktivering blinkar blått.
	Stand-by-omkopplaren på dammsugaren är inte satt på "AUTO".	Sätt dammsugarens stand-by-omkopplare på "AUTO".
	Fler än 10 verktyg är registrerade till dammsugaren.	Utför verktygsregistreringen igen. Om fler än 10 verktyg är registrerade till dammsugaren, blir det verktyg som registrerades tidigast automatiskt upphävt.
	Damsugaren har raderat alla verktygsregistreringar.	Utför verktygsregistreringen igen.
	Ingen strömtillförsel	Koppla in ström till verktyget och dammsugaren.
	Verktyget och dammsugaren är åtskilda från varandra (utanför sändningsområdet).	Se till att verktyget och dammsugaren hamnar närmare varandra. Det maximala sändningsavståndet är ca 10 m, men det kan variera beroende på omständigheterna.
	Radiostörningar från andra apparater som skapar högtintensiva radiovågor.	Håll verktyget och dammsugaren borta från apparater som WiFi-enheter och mikrovågsugnar.
Damsugaren är igång när verktyget inte används.	Andra användare använder den trådlösa aktiveringen av dammsugaren med sina verktyg.	Stäng av de andra verktygens knappar för trådlös aktivering eller upphäv verktygsregistreringen för de andra verktygen.

UNDERHÅLL

⚠ FÖRSIKTIGT: Se alltid till att maskinen är avstängd och batterikassetten borttagen innan inspektion eller underhåll utförs.

⚠ FÖRSIKTIGT: Rensa skyddet för att se till inte sågspån har samlats där som kan hindra funktionen för skyddssystemet. Ett smutsigt skyddssystem kan begränsa den korrekta funktionen vilket kan leda till allvarliga personsador. Det effektivaste rengöringssättet är med tryckluft. **Se till att använda korrekta ögon- och andningsskydd om dammet blåses ut från skyddet.**

OBSERVERA: Använd inte bensin, förtunningsmedel, alkohol eller liknande. Missfärgning, deformation eller sprickor kan uppstå.

Ställa in noggrannhet för 0°-skär och 45°-skär

OBSERVERA: Aktivera inte spärrarna för -1° vinkelsågning när du ställer in noggrannhet för 0°-skär.

OBSERVERA: Aktivera inte spaken för 48° vinkelsågning när du ställer in noggrannhet för 45°-skär.

Dessa inställningar har utförts i fabriken. Om den är rubbad kan du justera den med följande procedurer.

1. Lossa låsskruvarna framtill och baktill på verktyget något.
2. Justera bladvinkeln.
► **Fig.45:** 1. Vinkelhake

För att ställa in noggrannhet för 0°-skär, gör bottenplattan vinkelrät mot klingan med hjälp av en vinkelhake eller vinkelinjäl etc. genom att skruva på justerbulten.
► **Fig.46:** 1. Justerbult för 0°-skär

För att ställa in noggrannhet för 45°-skär, gör bottenplattan 45° mot klingan med hjälp av en vinkelhake genom att skruva på justerbulten.
► **Fig.47:** 1. Justerbult för 45°-skär

3. Dra åt låsskruvarna och gör en testsågning.

För att upprätthålla produktens SÄKERHET och TILLFÖRLITLIGHET bör allt underhålls- och justeringsarbete utföras av ett auktoriserat Makita servicecenter och med reservdelar från Makita.

VALFRIA TILLBEHÖR

⚠ FÖRSIKTIGT: Följande tillbehör eller tillsatser rekommenderas för användning med den Makita-maskin som denna bruksanvisning avser. Om andra tillbehör eller tillsatser används kan det uppstå risk för personsador. Använd endast tillbehören eller tillsatserna för de syften de är avsedda för.

behöver ytterligare information om dessa tillbehör.

- Cirkelsågklinga
- Bottenplatta
- Insexnyckel
- Styrskena
- Vinkelskena
- Klämma
- Skiva
- Gummiskiva
- Positionsskiva
- Trådlös enhet (för DSP601)
- Makitas originalbatteri och -laddare

OBS: Några av tillbehören i listan kan vara inkluderade i maskinpaketet som standardtillbehör. De kan variera mellan olika länder.

Kontakta ditt lokala Makita servicecenter om du

TEKNISKE DATA

Modell:		DSP600	DSP601
Bladdiameter		165 mm	
Maks. skjæredybde	med 0°	56 mm	
	ved 45° skråskjæring	40 mm	
	ved 48° skråskjæring	38 mm	
Hastighet uten belastning		2 500 - 6 300 min ⁻¹	
Total lengde		346 mm	
Nominell spenning		DC 36 V	
Nettovekt		4,4 - 5,1 kg	

- På grunn av vårt kontinuerlige forsknings- og utviklingsprogram kan spesifikasjonene som oppgis i dette dokumentet endres uten varsel.
- Spesifikasjoner og batteriinnsett kan variere fra land til land.
- Vekten kan variere avhengig av tilbehøret/tilbehørene, inkludert batteriet. Den letteste og tyngste kombinasjonen, i henhold til EPTA-prosedyre 01/2014, vises i tabellen.

Passende batteri og lader

Batteriinnsett	BL1815N / BL1820B / BL1830B / BL1840B / BL1850B / BL1860B
Lader	DC18RC / DC18RD / DC18RE / DC18SD / DC18SE / DC18SF / DC18SH / DC18WC

- Noen av batteriene og laderne som er opplistet ovenfor er kanskje ikke tilgjengelige, avhengig av hvor du bor.

⚠ ADVARSEL: Bruk kun de batteriene og laderne som er opplistet ovenfor. Bruk av andre batterier og ladere kan føre til personskader og/eller brann.

Riktig bruk

Dette verktøyet er laget spesielt for dykksaging. Verktøyet er også beregnet på kutting på langs og tvers i tre. Hvis verktøyet er utstyrt med riktig sirkelsagblad, kan det brukes til å sage i aluminium, plast, mineralholdig plast og lignende materialer.

Støy

Typisk A-vektet lydtryknivå er bestemt i henhold til EN62841-2-5:

Modell DSP600

Lydtryknivå (L_{pA}): 95 dB (A)

Lydeffektnivå (L_{WA}): 103 dB (A)

Usikkerhet (K): 3 dB (A)

Modell DSP601

Lydtryknivå (L_{pA}): 95 dB (A)

Lydeffektnivå (L_{WA}): 103 dB (A)

Usikkerhet (K): 3 dB (A)

MERK: Den/de oppgitte verdien(e) for genererte vibrasjoner har blitt målt i henhold til standard testmetoder, og kan bli brukt til å sammenligne ett verktøy med et annet.

MERK: Den/de angitte verdien(e) for de genererte vibrasjonene kan også brukes til en foreløpig vurdering av eksponeringen.

⚠ ADVARSEL: Bruk hørselsvern.

⚠ ADVARSEL: De genererte vibrasjonene ved faktisk bruk av elektroverktøyet kan avvike fra den/de angitte vibrasjonsverdien(e), avhengig av hvordan verktøyet brukes.

⚠ ADVARSEL: Sørg for å identifisere vernetiltak for å beskytte operatøren, som er basert på et estimat av eksponeringen under de faktiske bruksforholdene (idet det tas hensyn til alle deler av driftssyklusen, dvs. hvor lenge verktøyet er slått av, hvor lenge det går på tomgang og hvor lenge startbryteren faktisk holdes trykket).

Vibrasjoner

Den totale vibrasjonsverdien (triaksial vektorsum) bestemt i henhold EN62841-2-5:

Modell DSP600

Arbeidsmodus: saging av tre

Genererte vibrasjoner ($a_{h,w}$): 2,5 m/s² eller mindre

Usikkerhet (K): 1,5 m/s²

Arbeidsmodus: kutte metal

Genererte vibrasjoner ($a_{h,m}$): 2,5 m/s² eller mindre

Usikkerhet (K): 1,5 m/s²

Modell DSP601

Arbeidsmodus: saging av tre

Genererte vibrasjoner ($a_{h,w}$): 2,5 m/s² eller mindre

Usikkerhet (K): 1,5 m/s²

Arbeidsmodus: kutte metal

Genererte vibrasjoner ($a_{h,M}$): 2,5 m/s² eller mindre
Usikkerhet (K): 1,5 m/s²

MERK: Den/de oppgitte verdien(e) for totalt genererte vibrasjoner har blitt målt i henhold til standard testmetoder, og kan bli brukt til å sammenligne ett verktøy med et annet.

MERK: Den/de angitte verdien(e) for totalt genererte vibrasjoner kan også brukes til en foreløpig vurdering av eksponeringen.

⚠ ADVARSEL: De genererte vibrasjonene ved faktisk bruk av elektroverktøyet kan avvike fra den/de angitte vibrasjonsverdien(e), avhengig av hvordan verktøyet brukes og spesielt i forhold til arbeidsstykket som blir behandlet.

⚠ ADVARSEL: Sørg for å identifisere vernetiltak for å beskytte operatøren, som er basert på et estimat av eksponeringen under de faktiske bruksforholdene (idet det tas hensyn til alle deler av driftssyklusen, dvs. hvor lenge verktøyet er slått av, hvor lenge det går på tomgang og hvor lenge startbryteren faktisk holdes trykket).

Samsvarserklæringer

Gjelder kun for land i Europa

Samsvarserklæringene er lagt til som vedlegg A i denne bruksanvisningen.

SIKKERHETSADVARSEL

Generelle advarsler angående sikkerhet for elektroverktøy

⚠ ADVARSEL Les alle sikkerhetsadvarsler, instruksjoner, illustrasjoner og spesifikasjoner som følger med dette elektroverktøyet. Hvis ikke alle instruksjonene nedenfor følges, kan det føre til elektrisk støt, brann og/eller alvorlig personskade.

Oppbevar alle advarsler og instruksjoner for senere bruk.

Uttrykket «elektrisk verktøy» i advarslene refererer både til elektriske verktøy (med ledning) tilkoblet strømmen, og batteridrevne verktøy (uten ledning).

Sikkerhetsadvarsler for batteridrevet sirkelsag

Skjæreprosedyrer

1. **⚠ FARE:** Hold hendene unna kappeområdet og bladet. Hold den andre hånden på hjelpehåndtaket eller motorhuset. Hvis du holder sagen med begge hendene, risikerer du ikke at de blir skåret av bladet.
2. **Ikke strekk deg under arbeidsstykket.** Bladvernet kan ikke beskytte deg mot bladet under arbeidsmemnet.
3. **Juster dybden på kutt til tykkelsen på arbeidsstykket.** Mindre enn en hel sagtann skal være

synlig nedenfor arbeidsemnet.

4. **Du må aldri holde arbeidsstykket med hendene eller la det ligge tvers over bena dine når det kuttet. Sikre arbeidsstykket på en stødig plattform.** Det er viktig å støtte arbeidsstykket ordentlig for å gjøre risikoen minst mulig for å få skader, for at bladet skal sette seg fast, eller for at du skal miste kontrollen.

► Fig.1

5. **Hold elektroverktøyet i de isolerte gripeflatene når skjæreverktøyet kan komme i kontakt med skulde ledninger under arbeidet.** Kontakt med en strømførende ledning kan føre til at metalldelene på elektroverktøyet også blir strømførende, og kan gi brukeren elektrisk støt.
6. **Ved kløyving må du alltid bruke et parallellanlegg eller en føring med rett kant.** Dette forbedrer nøyaktigheten av kuttet og reduserer risikoen for at bladet skal sette seg fast.
7. **Det må alltid brukes blader med riktig størrelse og form (diamant eller rund) på akselhullet.** Blader som ikke passer til monteringsmekanismen på sagen vil svive ute av senter og bli umulige å kontrollere.
8. **Bruk aldri mellomleggsskiver til bladet eller en bolt som er skadd eller ikke passer.** Mellomleggskivene for bladet og boltene er spesielt utformet for sagen, for optimal ytelse og sikker drift.

Tilbakeslag oppstår og relaterte advarsler

- Tilbakeslag er en plutselig reaksjon på et klemt, fastsittende eller feiljustert sagblad, som kan føre til at en sag som ikke holdes godt fast blir løftet opp og ut av arbeidsstykket, og mot operatøren.
- Når bladet kommer i klem eller setter seg fast ved at snittet lukker seg, stopper bladet, og motoren driver enheten hurtig tilbake mot operatøren.
- Hvis bladet blir vridd eller feiljustert i snittet, vil tennene i bakkant av bladet grave seg inn i den øvre kanten av arbeidsemnet, slik at bladet arbeider seg ut av snittet og spretter tilbake mot operatøren.

Tilbakeslag er et resultat av feil bruk av sagen og/eller feilaktige skjæreprosedyrer eller arbeidsforhold, og kan unngås hvis man tar de rette forholdsregler (se nedenfor).

1. **Hold sagen i et fast grep med begge hender, og hold armene dine slik at de kan motstå kraften fra sagen i tilfelle den slår tilbake mot deg. Posisjoner kroppen på den ene siden av bladet, men ikke på linje med det.** Tilbakeslag kan føre til at sagen hopper bakover. Tilbakeslagene kan imidlertid kontrolleres av brukeren, hvis brukeren tar de rette forholdsreglene.
2. **Når bladet setter seg fast, eller når du av en eller annen grunn vil avbryte sagingen, må du slippe startbryteren og holde sagen i ro i materialet inntil bladet har stoppet helt. Du må aldri forsøke å fjerne sagen fra arbeidsemnet eller å trekke den bakover mens bladet er i bevegelse, da dette kan få sagen til å slå tilbake.** Undersøk hvorfor bladet setter seg fast og sett i verk avhjelpende tiltak.
3. **Når du starter sagen i arbeidsstykket igjen, må du sentrere sagbladet i snittet slik at**

sagtene ikke griper inn i materialet. Hvis et sagblad sitter fast, kan det løfte seg opp eller føre til at sagen slår tilbake mot deg når den startes igjen.

4. **Støtt opp større plater for å redusere risikoen så mye som mulig for at bladet kommer i baken, og for tilbakeslag.** Større plater har en tendens til å bøye seg under sin egen vekt. Støttene må plasseres under platen på begge sider, nær kappelinjen og nær kantene av platen.

► Fig.2

► Fig.3

5. **Ikke bruk sløve eller ødelagte blad.** Uskarpe eller feilaktig innstilte blad gir trangt snitt, noe som forårsaker kraftig friksjon, får bladet til å sette seg fast og resulterer i at sagen slår tilbake mot operatøren.
6. **Dette kan medføre tilbakeslag (kickback) som kan gi alvorlige personskader.** Bladdybden og låsehendlene for avfingsjusteringen må være strammet og festet før snittet gjøres.
7. **Vær ekstra forsiktig når du sager i eksisterende vegger eller andre områder uten innsyn.** Det fremstikkende bladet kan treffe gjenstander som kan forårsake tilbakeslag.
8. **Hold ALLTID maskinen fast med begge hender.** Plasser ALDRI hånden, benet eller noen annen kroppsdelt under maskinfoten eller bak sagen, særlig når du sager på tvers. Hvis det skjer et tilbakeslag, kan sagen lett komme til å hoppe bakover over hånden din og forårsake alvorlige helseskader.

► Fig.4

9. **Bruk aldri makt på sagen.** Skyv sagen fremover med en slik hastighet at bladet skjærer uten å miste fart. Hvis du bruker makt på sagen, kan det gi ujevne snitt, uøyaktighet og muligheter for tilbakeslag.

Vernfunksjon

1. **Kontroller alltid at vernet er ordentlig lukket før du begynner å bruke verktøyet. Ikke begynn å bruke sagen hvis vernet ikke beveger seg fritt og lukker seg om bladet momentant. Klem eller bind aldri fast vernet slik at bladet blir eksponert.** Hvis sagen ved et ulykkestilfelle skulle falle ned, kan vernet bli bøyd. Kontroller at vernet beveger seg uhindret og ikke berører bladet eller noen annen del, i alle skjærevinkler og -dybder.
2. **Kontroller at fjæren på vernet fungerer som den skal.** Hvis vernet og fjæren ikke fungerer som de skal, må de overhales før bruk. Vernet kan gå tregt pga. ødelagte deler, gummiavleiringer eller opphopning av spon.
3. **Forsikre deg om at sagens fotplate ikke vil forskyve seg når du utfører dykksaging.** Bladforskyvning sideveis vil føre til at bladet setter seg fast og mulig tilbakeslag.
4. **Se alltid etter at vernet dekker bladet før du setter sagen på arbeidsbenken eller gulvet.** Et ubeskyttet, roterende blad vil få sagen til å bevege seg bakover mens bladet kapper alt som kommer i dets vei. Vær oppmerksom på at bladet trenger en viss tid for å stanse etter at bryteren er sluppet.

Flere sikkerhetsadvarsler

1. **Vær ekstra forsiktig ved skjæring i fuktig tre, trykkbehandlet tømmer eller tømmer med kvister.** Unngå overoppheting av bladspissene ved å bevege bladet jevnt fremover uten reduksjon i bladhastigheten, og unngå å smelte platen hvis du skjærer i plast.
2. **Ikke forsøk å fjerne kapp mens bladet er i bevegelse. Vent til bladet stopper før du griper det materialet som er kappet.** Bladene roterer fritt etter at maskinen er slått av.
3. **Unngå å skjære i spiker. Se etter og fjern all spiker fra arbeidsemnet før arbeidet påbegynnes.**
4. **Sett den bredeste delen av sagfoten på den delen av arbeidsemnet som er godt støttet opp, ikke på den delen som kommer til å falle av når snittet er fullført.** Hvis arbeidsemnet er kort eller lite, må det klemmes fast. **IKKE FORSØK Å HOLDE KORTE STYKKER MED HÅNDEN!**

► Fig.5

5. **Før du setter verktøyet ned etter å ha fullført et kutt, må du forvise deg om at vernet er lukket og at bladet har stoppet helt.**
6. **Forsøk aldri å sage mens sirkelsagen holdes opp ned i en skrustikke.** Dette er ekstremt farlig og kan forårsake alvorlige ulykker.

► Fig.6

7. **Enkelte materialer inneholder kjemikalier som kan være giftige. Treff tiltak for å hindre hudkontakt og innånding av støv. Følg leverandørens sikkerhetsanvisninger.**
8. **Ikke stopp bladene ved å presse sideveis på sagbladet.**
9. **Ikke bruk slipeskiver.**
10. **Bruk bare sagbladet med diameter som er merket på verktøyet eller spesifisert i håndboken.** Bruk av et blad med feil størrelse kan påvirke riktig beskyttelse av bladet eller bruk av bladvernet, som kan resultere i alvorlig personskade.
11. **Hold bladet skarpt og rent.** Harpiks og bek som størkner på bladene reduserer turtallet på sagen og øker risikoen for tilbakeslag. Hold bladet rent ved først å ta det av verktøyet og deretter gjøre det rent med en harpiks- og bekfjerner, varmt vann eller parafin. Du må aldri bruke bensin.
12. **Bruk en støvmaske og hørselsvern når du bruker verktøyet.**
13. **Bruk alltid sagbladet som er beregnet på kutting av materialet som du skal kutte.**
14. **Bruk bare sagbladene som er merket med en hastighet som er lik eller høyere enn hastigheten som er merket på verktøyet.**
15. **(Kun land i Europa)** **Bruk alltid bladet som overholder EN847-1 ved skjæring av tre eller lignende materialer.**

TA VARE PÅ DISSE INSTRUKSENE.

⚠ ADVARSEL: IKKE LA hysynet til hva som er "behagelig" eller det faktum at du kjenner produktet godt (etter mange gangers bruk) gjøre deg mindre oppmerksom på sikkerhetsreglene for bruken av det aktuelle produktet. Ved MISBRUK eller hvis ikke sikkerhetsreglene i denne bruksanvisningen følges, kan det oppstå alvorlig personskade.

Viktige sikkerhetsanvisninger for batteriinnsetts

1. Før du begynner å bruke batteriet, må du lese alle anvisninger og forsiktighetsregler på (1) batteriladeren, (2) batteriet og (3) det produktet batteriet skal brukes i.
2. Ikke demonter eller tukle batteriet. Det kan føre til brann, overoppheting eller eksplosjon.
3. Hvis driftstiden er blitt vesentlig kortere, må du omgående slutte å bruke maskinen. Hvis ikke kan resultatet bli overoppheting, mulige forbrenninger eller til og med en eksplosjon.
4. Hvis du får elektrolytt i øynene, må du skylle dem med store mengder rennende vann og oppsøke lege med én gang. Denne typen uhell kan føre til varig blindhet.
5. Ikke kortslett batteriet:

- (1) De kan være ekstremt varme og du kan brenne deg.
- (2) Ikke lagre batteriet i samme beholder som andre metallgjenstander, som for eksempel spiker, mynter osv.
- (3) Ikke la batteriet komme i kontakt med vann eller regn.

En kortslutning av batteriet kan føre til et kraftig strømstøt, overoppvarming, mulige forbrenninger og til og med til at batteriet går i stykker.

6. Ikke oppbevar og bruk verktøyet og batteriet på steder hvor temperaturen kan komme opp i eller overskride 50 °C.
7. Ikke sett fyr på batteriet, ikke engang om det er sterkt skadet eller helt utslitt. Batteriet kan eksplodere hvis det begynner å brenne.
8. Du må ikke spikre, skjære, klemme, kaste eller miste batteriet, og heller ikke slå en hard gjenstand mot batteriet. En slik oppførsel kan føre til brann, overoppheting eller eksplosjon.
9. Ikke bruk batterier som er skadet.
10. Lithium-ion-batteriene som medfølger er gjenstand for krav om spesialavfall. For kommersiell transport, f.eks av tredjeparter eller speditorer, må spesielle krav om pakking og merking følges. Før varen blir sendt, må du forhøre deg med en ekspert på farlig materiale. Ta også hensyn til muligheten for mer detaljerte nasjonale bestemmelser. Bruk teip eller maskeringsteip for å skjule åpne kontakter og pakk inn batteriet på en slik måte at den ikke kan bevege seg rundt i emballasjen.
11. Når du kasserer batteriinnsettsen, må du ta den ut av verktøyet og avhende den på et sikkert sted. Følg lokale bestemmelser for avhendig

av batterier.

12. Bruk batteriene kun med produkter spesifisert av Makita. Montere batteriene i produkter som ikke er konforme kan føre til brann, overheting eller elektrolyttlekkasje.
13. Hvis verktøyet ikke skal brukes over en lengre periode, må batteriet tas ut av verktøyet.
14. Under og etter bruk kan batteriet bli varmt og før til brannskader. Vær forsiktig med håndteringen av varme batterier.
15. Ikke berører terminalen på verktøyet rett etter bruk, da den kan bli varm og forårsake brannskader.
16. Ikke la spon, støv eller jord sette seg fast i terminalene, hullene og sporene i batteriet. Det kan føre til at batteriet eller verktøyet blir overopphetet, begynner å brenne, sprekker eller ikke fungerer som det skal, og forårsake brannskader eller personskade.
17. Med mindre verktøyet støtter bruk nær en høyspent strømlinje, skal ikke batteriet brukes nær en høyspent strømlinje. Det kan føre til en funksjonsfeil eller at verktøyet eller batteriet slutter å fungere.
18. Oppbevar batteriet utilgjengelig for barn.

TA VARE PÅ DISSE INSTRUKSENE.

⚠ FORSIKTIG: Bruk kun originale Makita-batterier. Bruk av batterier som har endret seg, eller som ikke er originale Makita-batterier, kan føre til at batteriet sprekker og forårsaker brann, personskader og andre skader. Det vil også ugyldiggjøre garantien for Makita-verktøyet og -laderen.

Tips for å opprettholde maksimal batterilevetid

1. Lad batteriinnsettsen før den er helt utladet. Stopp alltid driften av verktøyet og lad batteriinnsettsen når du merker at effekten reduseres.
2. Lad aldri en batteriinnsetts som er fulladet. Overopplading forkorter batteriets levetid.
3. Lad batteriet i romtemperatur ved 10 °C - 40 °C. Et varmt batteri må kjøles ned før lading.
4. Når batteriet ikke er bruk, skal det tas ut av verktøyet eller laderen.
5. Lad batteriet hvis det ikke har vært brukt på en lang stund (over seks måneder).

Viktige sikkerhetsanvisninger for trådløs enhet

1. Du må ikke demontere eller tukle med den trådløse enheten.
2. Hold den trådløse enheten unna små barn. Hvis enheten ved et uhell svelges, skal lege kontaktes umiddelbart.
3. Den trådløse enheten skal kun brukes med Makita-verktøy.
4. Ikke utsett den trådløse enheten for regn eller fuktighet.
5. Ikke bruk den trådløse enheten på steder den

- temperaturen overskrider 50 °C.
6. Ikke bruk den trådløse enheten på steder der medisinsk utstyr, som pacemakere, er i nærheten.
 7. Ikke bruk den trådløse enheten på steder der automatiserte enheter er i nærheten. Hvis automatisert enheter tas i bruk, kan det oppstå en funksjonssvikt eller feil.
 8. Ikke bruk den trådløse enheten på steder med høye temperaturer eller der det kan genereres statisk elektrisitet eller elektrisk støy.
 9. Den trådløse enheten kan skape elektromagnetiske felt (EMF), men de er ikke skadelige for brukeren.
 10. Den trådløse enheten er presisjonsinstrument. Vær forsiktig så du ikke mister eller utsetter den trådløse enheten for slag.
 11. Unngå å berøre den trådløse enhetens tilkoblingspunkt med ubeskyttede hender eller metallmaterialer.
 12. Du må alltid ta batteriet ut av produktet når du skal installere den trådløse enheten.
 13. Når du skal åpne sporets lokk, må du unngå steder der støv og vann kan trenge inn i sporet. Du må alltid sørge for at sporets innløp er rent.
 14. Sett alltid den trådløse enheten inn i riktig retning.
 15. Ikke trykk for hardt på trådløseknappen på den trådløse enheten, og trykk heller ikke på knappen med en gjenstand med skarp kant.
 16. Du må alltid lukke sporets lokk under bruk.
 17. Ikke fjern den trådløse enheten fra sporet mens verktøyet forsynes med strøm. Det kan føre til en funksjonsfeil i den trådløse enheten.
 18. Ikke fjern klebmerket på den trådløse enheten.
 19. Ikke sett klebmerker på den trådløse enheten.
 20. Ikke etterlat den trådløse enheten på et sted der det kan genereres statisk elektrisitet eller elektrisk støy.
 21. Ikke etterlat den trådløse enheten på et sted der den kan utsettes for mye varme, som i en bil som er parkert i solen.
 22. Ikke etterlat den trådløse enheten på et sted med mye støv eller pulver, eller på et sted der det kan genereres korroderende gass.
 23. En plutselig temperaturoendring kan få den trådløse enheten til å dugge. Ikke bruk den trådløse enheten før duggen har tørket helt bort.
 24. Når du rengjør den trådløse enheten, tørker du forsiktig av den med en tørr, myk klut. Ikke bruk bensin, tynner, ledende fett eller lignende.
 25. Når den trådløse enheten skal lagres, oppbevares den i esken som følger med eller en beholder som ikke er statisk.
 26. Ikke sett andre enheter med Makitas trådløse enhet inn i sporet på verktøyet.
 27. Ikke bruk verktøyet hvis sporets lokk er skadet. Vann, støv om smuss som trenger inn i sporet kan føre til funksjonsfeil.

28. Ikke dra i og/eller vri sporets lokk mer enn nødvendig. Sett lokket tilbake på plass hvis det løsner fra verktøyet.
29. Erstatt sporets lokk hvis det går tapt eller blir skadet.

TA VARE PÅ DISSE INSTRUKSENE.

FUNKSJONSBE- SKRIVELSE

⚠FORSIKTIG: Forviss deg alltid om at maskinen er slått av og batteriet tatt ut før du justerer maskinen eller kontrollerer dens mekaniske funksjoner.

Sette inn eller ta ut batteri

⚠FORSIKTIG: Slå alltid av verktøyet før du setter inn eller fjerner batteriet.

⚠FORSIKTIG: Hold verktøyet og batteripatronen i et fast grep når du monterer eller fjerner batteripatronen. Hvis du ikke holder verktøyet og batteripatronen godt fast, kan du miste grepet, og dette kan føre til skader på verktøyet og batteripatronen samt personskader.

Når du skal sette inn batteriet, må du plassere tungen på batteriet på linje med sporet i huset og skyve batteriet på plass. Skyv det helt inn til det går i inngrep med et lite klikk. Hvis du kan se den røde indikatoren som vist i figuren, er det ikke helt låst.

For å ta ut batteriet må du skyve på knappen foran på batteriet og trekke det ut.

► Fig.7: 1. Rød indikator 2. Knapp 3. Batteriinnstans

⚠FORSIKTIG: Batteriet må alltid settes helt inn, så langt at den røde indikatoren ikke lenger er synlig. Hvis dette ikke gjøres, kan batteriet falle ut av verktøyet og skade deg eller andre som oppholder seg i nærheten.

⚠FORSIKTIG: Ikke bruk makt når du setter i batteriet. Hvis batteriet ikke glir lett inn, er det fordi det ikke settes inn på riktig måte.

MERK: Verktøyet fungerer ikke med kun ett batteri.

Batterivernsystem for verktøy/ batteri

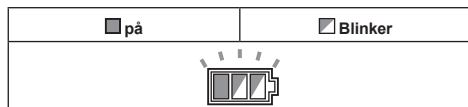
Verktøyet er utstyrt med et batterivernsystem for verktøy/batteri. Dette systemet slår automatisk av strømmen til motoren for å forlenge verktøyets og batteriets levetid. Verktøyet stopper automatisk under drift hvis verktøyet eller batteriet utsettes for en av følgende tilstander. Indikatorene lyser i noen tilfeller.

Overlastsikring

Når verktøyet brukes på en måte som gjør at det bruker unormalt mye strøm, vil verktøyet stoppe automatisk. Hvis dette skjer, må du slå av verktøyet og avslutte bruken som forårsaket at verktøyet ble overbelastet. Slå deretter verktøyet på for å starte det igjen.

Overopphetingsvern

Når verktøyet blir overopphetet, stopper verktøyet automatisk, og batteriindikatoren blinker i ca. 60 sekunder. Hvis dette skjer, må du la verktøyet kjøle seg ned før du slår på verktøyet igjen.



Overutladingsvern

Når det blir lite batteri igjen, stopper verktøyet automatisk. Hvis produktet ikke går selv om bryterne aktiveres, må du ta batteriene ut av verktøyet og lade batteriene.

Indikere gjenværende batterikapasitet

- **Fig.8:** 1. Batteriindikator (for øvre batteri)
2. Kontrollknapp 3. Batteriindikator (for nedre batteri)

Trykk på kontrollknappen for vise det gjenværende batterinivået. Batteriindikatorerne korresponderer til hvert batteri.

Batteriindikatorstatus			Gjenværende batterikapasitet
På	Av	Blinker	
			50 % til 100 %
			20 % til 50 %
			0 % til 20 %
			Lad batteriet

Indikere gjenværende batterikapasitet

Kun for batterier med indikatoren

Trykk på sjekk-knappen på batteriet for vise gjenværende batterikapasitet. Indikatorlampene lyser i et par sekunder.

- **Fig.9:** 1. Indikatorlamper 2. Kontrollknapp

Indikatorlamper			Gjenværende batterinivå
Tent	Av	Blinker	
			75 % til 100 %
			50 % til 75 %
			25 % til 50 %
			0 % til 25 %
			Lad batteriet.
			Batteriet kan ha en feil.

MERK: Det angitte nivået kan avvike noe fra den faktiske kapasiteten alt etter bruksforholdene og den omgivende temperaturen.

MERK: Den første (helt til venstre) indikatorlampen vil blinke når batterivernsystemet fungerer.

Funksjon for automatisk hastighetsendring

MERK: Funksjonen for automatisk hastighetsendring er kun tilgjengelig når hastighetsinnstillingshjulet står på 5.

Dette verktøyet har en modus for høy hastighet og en modus for høyt dreiemoment. Verktøyet skifter automatisk driftsmodus avhengig av arbeidsbelastningen. Når arbeidsbelastningen er for lav, kjører verktøyet i modus for høy hastighet for raskere saging. Når arbeidsbelastningen er for høy, kjører verktøyet i modus for høyt dreiemoment for kraftig saging.

► **Fig.10:** 1. Modusindikator

Modusindikatoren begynner å lyse grønt når verktøyet kjører i modus for høyt dreiemoment.

Hvis verktøyet påføres for høy belastning, begynner modusindikatoren å blinke grønt. Modusindikatoren slutter å blinke og begynner å lyse uavbrutt, eller slår seg av hvis du reduserer belastningen på verktøyet.

Modusindikatorstatus			Driftsmodus
På	Av	Blinker	
			Modus for høy hastighet
			Modus for høyt dreiemoment
			Varsel om overbelastning

Justere skjæredybden

⚠ FORSIKTIG: Når du har justert skjæredybden, må du alltid stramme klemskruen godt.

Løsne klemskruen på dybdeføringen, og beveg nedre bladstopper til den ønskede dybden på skalaplatten. Stram klemskruen godt ved ønsket skjæredybde. For at sagingen skal bli renere og sikrere må du stille inn skjæredybden slik at ikke mer enn én sagtann stikker ut under arbeidsstykket. Hvis skjæredybden er riktig, reduseres risikoen for farlige TILBAKESLAG som kan forårsake personskade.

► **Fig.11:** 1. Nedre bladstopper 2. Klemskrue

Hurtigstoppknapp for 2 til 3 mm skjæredybde ved bruk av føringsskinne (ekstrautstyr)

Dette verktøyet har hurtigstoppknappen for 2 til 3 mm skjæredybde på girhuset, ved siden av det bakre håndtaket når føringsskinne er i bruk. Denne brukes når du vil unngå fliser i snittet i arbeidsstykket. Gjør først et snitt med 2 til 3 mm dybde, og sag deretter med normal dybde i det samme snittet.

► **Fig.12:** 1. Hurtigstoppknapp

For å oppnå en skjæredybde på 2 til 3 mm, må du skyve inn hurtigstoppknappen mot sagbladet. Dette er praktisk for å unngå å flise opp arbeidsstykket.

For å kunne sage med fritt valg av skjæredybde, trenger du bare trekke knappen tilbake.

Skråskjæring

Løsne klemskruene. Still inn ønsket vinkel ved å vippe på verktøyet, og stram deretter klemskruen godt.

► **Fig.13:** 1. Klemskrue 2. Skråskalaplate

► **Fig.14:** 1. Underfot (Valgfritt tilbehør) 2. Klemskrue

Positiv stopper

Den positive stopperen er nyttig når du vil stille inn ønsket vinkel raskt. Dreii den positive stopperen til pilen på den peker 22,5°. Løsne klemskruene foran og bak. Vipp deretter bladet til det stanser, og sikre foten med klemskruene.

► **Fig.15:** 1. Positiv stopper 2. Klemskrue

48° skråskjæring

Hvis du vil utføre 48° skråskjæring, løsner du klemskruene og vipper hendelen helt mot pilens retning i figuren. Deretter stiller du skråvinkelen på 48° og strammer klemskruene.

► **Fig.16:** 1. Hendel

-1° skråskjæring

Hvis du vil utføre -1° skråskjæring, løsner du klemskruene og trykker hendelene mot pilens retning i figuren. Deretter stiller du skråvinkelen på -1° og strammer klemskruene.

► **Fig.17:** 1. Hendel

Sikting

► **Fig.18:** 1. Fot

Skjærelinjen varierer avhengig av skjærevinkelen og om du bruker føringsskinne (ekstrautstyr).

Bruke verktøyet uten føringsskinne

Ved skjæring av rette linjer må A-merket foran på foten rettes inn med skjærelinjen på arbeidsstykket. For 45° skråskjæring må B-merket rettes inn med skjærelinjen.

Bruke verktøyet med føringsskinne

Både ved skjæring av rette linjer og 45° skråskjæring må A-merket foran på foten alltid plasseres innrettet med skjærelinjen på arbeidsstykket.

Bryterfunksjon

⚠ ADVARSEL: Før du setter batteriet inn i maskinen, må du alltid kontrollere at startbryteren aktiverer maskinen på riktig måte og går tilbake til «AV»-stilling når den slippes.

⚠ ADVARSEL: ALDRI sett avsperringsknappen ute av funksjon ved å for eksempel teipe over den. En defekt avsperringsknapp kan føre til at maskinen aktiveres utilsiktet og alvorlige personskader kan oppstå.

⚠ ADVARSEL: Maskinen må ALDRI brukes hvis den begynner å gå bare du trykker på startbryteren, uten at du må trykke på avsperringsknappen også. En skadet/defekt bryter kan føre til at maskinen aktiveres utilsiktet og alvorlige personskader kan oppstå. Returner maskinen til et Makita-servicesenter for å få den reparert FØR videre bruk.

For å unngå at startbryteren trykkes inn ved en feiltakelse, er maskinen utstyrt med en avsperringsknapp. Trykk på avsperringsknapp og startbryteren for å starte sagen. Slipp opp bryteren for å stanse verktøyet.

► **Fig.19:** 1. Startbryter 2. AV-sperreknapp

OBS: Ikke press hardt på startbryteren uten å trykke inn AV-sperreknappen. Dette kan få bryteren til å brekke.

Hastighetsinnstillingshjul

Verktøyhastigheten kan justeres ved å dreie på innstillingshjulet. Bladrotasjonens hastighet øker når du øker tallet på hastighetsinnstillingshjulet.

► **Fig.20:** 1. Hastighetsinnstillingshjul

Se tabellen for valg av riktig hastighet for arbeidsstykket som skal skjæres. Hastigheten kan imidlertid variere avhengig av tykkelsen på arbeidsstykket. Høyere hastigheter gjør det mulig å skjære raskere, men bladet levetid vil bli redusert.

Tall	Bladets rotasjonshastighet per minutt (min ⁻¹)
1	2 500 min ⁻¹
2	2 900 min ⁻¹
3	3 900 min ⁻¹
4	4 900 min ⁻¹
5	6 300 min ⁻¹

⚠FORSIKTIG: Hastighetsinnstillingshjulets funksjon er ikke å muliggjøre bruk av sagblad for lave turtall, men å oppnå hastigheter som passer til materialet i arbeidsstykket. Bruk bare sagblader som er klassifisert for minst den maksimale hastigheten uten belastning som er angitt i SPESIFIKASJONENE.

OBS: Hastighetsinnstillingshjulet kan kun dreies til 5 og så tilbake til 1. Ikke prøv å dreie det forbi 5 eller 1, da det kan føre til at hastighetsinnstillingsfunksjonen slutter å virke.

Elektronisk funksjon

Verktøy som er utstyrt med elektroniske funksjoner er enkle å bruke på grunn av følgende egenskaper.

Overlastvern

Når verktøyet blir overbelastet og strømstyrken overstiger et visst nivå, stanser verktøyet automatisk for å beskytte motoren.

Konstant hastighetskontroll

Elektronisk hastighetskontroll for å oppnå konstant hastighet. Slik oppnår du god utførelse, fordi rotasjons-hastigheten holdes konstant selv under belastning.

Mykstartfunksjon

Myk start fordi startrykket undertrykkes.

MONTERING

⚠FORSIKTIG: Forviss deg alltid om at maskinen er slått av og batteriet tatt ut før du utfører noe arbeid på maskinen.

Oppbevare sekskantnøkkel

Når sekskantnøkkelen ikke er i bruk, må du oppbevare den som vist i figuren, slik at du ikke mister den.

► **Fig.21:** 1. Sekskantnøkkel

Demontere eller montere sirkelsagbladet

⚠FORSIKTIG: Sørg for at sirkelsagbladet monteres med tennene pekende opp foran på verktøyet.

⚠FORSIKTIG: Bruk bare Makita-nøkkelen til å montere eller fjerne sirkelsagbladet.

Slik fjerner du sirkelsagbladet:

1. Trykk inn AV-sperreknappen, og senk håndtaket en anelse. Drei låsehendelen, og senk håndtaket til låsepinnen passer inn i hullet.

► **Fig.22:** 1. AV-sperreknapp 2. Låsehendel
3. Låsepinne 4. Hull til låsepinne

2. Trykk spindellåsen helt inn slik at bladet ikke kan rotere, og bruk sekskantnøkkelen til å løsne sekskantskruen.

► **Fig.23:** 1. Spindellås 2. Sekskantnøkkel

3. Stramme 4. Løsne

3. Fjern deretter sekskantskruen, den ytre flensen og sirkelsagbladet.

► **Fig.24:** 1. Sekskantskrue 2. Ytre flens 3. Indre flens
4. Sirkelsagblad

⚠ADVARSEL: Hvis du fjerner den indre flensen, må du passe på å montere den på spindelen. Når du monterer, må du velge riktig side der fremspringet passer perfekt i hullet på sagbladet. Hvis bladet monteres på feil side, kan det føre til farlig vibrasjon.

Monter sirkelsagbladet ved å følge fremgangsmåten for fjerning i motsatt rekkefølge. Trykk inn AV-sperreknappen slik at låsepinnen frigjøres fra hullet.

⚠ADVARSEL: SØRG FOR AT SEKSKANTSKRUE ER STRAMMET TIL SKIKKELIG. Du må også passe på at skruen ikke strammes for hardt. Hvis hånden glipper fra sekskantnøkkelen, kan det føre til personskaade.

Rengjøring av bladvern

Når du skifter sirkelsagbladet, må du også sørge for å rengjøre bladvernet for oppsamlet sagflis som forklart i avsnitt Vedlikehold. Du må imidlertid fortsatt alltid kontrollere at bladvernet virker før du bruker verktøyet.

Koble til støvsuger

Valgfritt tilbehør

Hvis du vil sage så rent som mulig, kan du koble en Makita-støvsuger til verktøyet. Deretter kobler du støvsugerslangen til støvmunnstykket med frontmansjettene 24.

► **Fig.25:** 1. Støvsugerslange 2. Frontmansjett 24
3. Støvmunnstykke

BRUK

⚠FORSIKTIG: Sørg for å bevege verktøyet pent fremover i en rett linje. Hvis du bruker makt på eller vrir verktøyet, vil motoren bli overopphetet og maskinen kan slå tilbake mot brukeren. Dette er farlig og kan gi alvorlige personskaader.

⚠FORSIKTIG: Du må aldri bevege noen del av kroppen under verktøyfoten under seksjons-skjæring, særlig i begynnelsen. Det kan føre til alvorlige personskaader. Bladet er eksponert under verktøyfoten.

MERK: Maskinen fungerer ikke som tiltenkt når batteritemperaturen er for lav. Bruk maskinen til lett saging inntil batteriet er oppvarmet til romtemperatur. Deretter kan maskinen brukes med full kapasitet.

Seksjonskjæring (vanlig saging)

► **Fig.26**

Hold godt fast i verktøyet. Verktøyet leveres både med

fremre og bakre håndtak. Bruk begge for å få best mulig tak på verktøyet. Hvis du holder sagen med begge hendene, unngår du å skjære deg på sirkelsagbladet. Sett foten på arbeidsstykket som skal skjæres, uten at sirkelsagbladet kommer borti arbeidsstykket. Trykk deretter inn AV-sperreknappen og dra i startbryteren. Vent til sirkelsagbladet oppnår full hastighet. Trykk deretter saghodet sakte ned til den forhåndsinnstilte skjæredybden, og beveg ganske enkelt verktøyet forover over overflaten på arbeidsstykket mens du holder det flatt og beveger det jevnt, inntil sagingen er fullført. For å få rene kutt må du sage i rett linje og med jevn hastighet. Hvis kuttet ikke følger skjærelinjen helt, må du ikke forsøke å dreie eller tvinge verktøyet tilbake til skjærelinjen. Hvis du gjør det, kan sirkelsagbladet sette seg fast og gi farlige tilbakeslag som kan føre til alvorlige kader. Slipp bryteren, vent til sirkelsagbladet stanser, og trekk deretter ut verktøyet. Innrett verktøyet på en ny skjærelinje, og begynn sagingen på nytt. Forsøk å unngå en plassering som utsetter operatøren for sprut av flis og sagmugg fra sagen. Bruk øyevern for å redusere faren for skader.

Føringsskinne

Valgfritt tilbehør

Plasser verktøyet på den bakre enden av føringsskinne. Drei to justeringsskruer på verktøyfoten slik at verktøyet glir jevnt uten å skramle. Hold godt fast i både frontgrepet og det bakre håndtaket. Slå på verktøyet, trykk det ned til den forhåndsinnstilte skjæredybden, og skjær flisvernet langs hele lengden med én bevegelse. Kanten på flisvernet svarer nå til skjærekanten.

► **Fig.27:** 1. Justeringsskruer

Ved skråningskjæring med føringsskinne bruker du skyvehendelen for å forhindre at verktøyet velters. Flytt skyvehendelen på verktøyfoten i pilens slik at den går i inngrep med undersnittsporet i føringsskinne.

► **Fig.28:** 1. Skyvehendel

Underfot (føringsslinjal)

Valgfritt tilbehør

Hvis du bruker underfoten som en føringsslinjal, kan du utføre ekstra nøyaktig rett saging. Løsne klemskruene, og skyv underfoten ut fra verktøyet. Sett den deretter inn opp ned.

► **Fig.29:** 1. Klemskrue 2. Underfot

Skyv vernet på underfoten tett opp til siden av arbeidsstykket, og fest det i stilling med klemskruene. Det gjør det dessuten mulig å skjære gjentatte ganger med samme bredde.

► **Fig.30:** 1. Klemskrue 2. Underfot

Stikkskjæring (utskjæring)

⚠ ADVARSEL: For å unngå tilbakeslag må følgende instruksjoner følges.

► **Fig.31:** 1. Verktøyfotens bakre kant 2. Fast kant

Når du bruker verktøyet uten føringsskinne, plasserer du det på arbeidsstykket med verktøyfotens bakre kant mot en fast kant eller tilsvarende som er laget av en

operatør.

Når du bruker verktøyet med føringsskinne, plasserer du det på føringsskinne med verktøyfotens bakre kant mot en fast kant eller tilsvarende som er festet med klemme på føringsskinne.

Hold verktøyet godt fast med en hånd på frontgrepet og den andre på verktøyhåndtaket. Trykk deretter inn AV-sperreknappen og slå på verktøyet, og vent til bladet oppnår full hastighet. Trykk deretter saghodet sakte ned til den forhåndsinnstilte skjæredybden, og beveg ganske enkelt verktøyet forover til den ønskede posisjonen for stikkskjæring.

MERK: Markeringene på siden av bladvernet viser sagbladets fremre og bakre skjærepunkter ved maksimal skjæredybde ved bruk av føringsskinne.

► **Fig.32:** 1. Fremre skjærepunkt 2. Bakre skjærepunkt

Føringssenhet

Valgfritt tilbehør

Bruk av fasettføringen gjør det mulig å foreta nøyaktig gjørsaging med vinkler og passende arbeider.

Bruk av klemme sikrer at arbeidsstykket holdes godt fast mot bordet.

TRÅDLØSAKTIVERINGSFUNKSJON

Kun for DSP601

Hva du kan gjøre med trådløsaaktiveringsfunksjonen

Trådløsaaktiveringsfunksjonen muliggjør ren og behagelig bruk. Hvis du kobler en støttet støvsuger til verktøyet, kan du bruke støvsugeren automatisk sammen med verktøyets bryterfunksjon.

► **Fig.33**

Hvis du vil bruke trådløsaaktiveringsfunksjonen, må du klargjøre følgende elementer:

- En trådløs enhet (valgfritt tilbehør)
- En støvsuger som støtter trådløsaaktiveringsfunksjonen

Oversikten over innstillingen for trådløsaaktiveringsfunksjonen er som følger. Du finner detaljerte fremgangsmåter i hver enkelt del.

1. Installere den trådløse enheten
2. Verktøyregistrering for støvsugeren
3. Starte trådløsaaktiveringsfunksjonen

Installere den trådløse enheten

Valgfritt tilbehør

⚠ FORSIKTIG: Plasser verktøyet på et flatt og stabilt underlag når du skal installere den trådløse enheten.

OBS: Fjern støv og smuss på verktøyet før du installerer den trådløse enheten. Støv eller smuss kan føre til funksjonsfeil hvis det trenger inn i den trådløse enhetens spor.

OBS: For å unngå funksjonsfeil som følge av statisk elektrisitet, berører du et statisk utladningsmateriale, som en av verktøyets metalldele, før du tar i den trådløse enheten.

OBS: Når du installerer den trådløse enheten, må du passe på at den trådløse enheten settes inn i riktig rettet og at lokket lukkes helt igjen.

1. Åpne lokket på verktøyet som vist i figuren.
► **Fig.34:** 1. Løkk
2. Sett den trådløse enheten inn i sporet, og lukk lokket.

Når du setter inn den trådløse enheten, innretter du fremspringene med de utsparte delene på sporet.

- **Fig.35:** 1. Trådløs enhet 2. Fremspring 3. Løkk 4. Utspart del

Når du fjerner den trådløse enheten, må du åpne lokket sakte. Krokene på baksiden av lokket vil løfte den trådløse enheten når du drar i lokket.

- **Fig.36:** 1. Trådløs enhet 2. Krok 3. Løkk

Etter at du har fjernet den trådløse enheten, oppbevarer den i esken som følger med eller en beholder som ikke er statisk.

OBS: Du må alltid bruke krokene på baksiden av lokket når du fjerner den trådløse enheten. Hvis krokene ikke hekter seg fast i den trådløse enheten, lukker du lokket helt og åpner det sakte på nytt.

Verktøyregistrering for støvsugeren

MERK: En Makita-støvsuger som støtter trådløseaktiveringsfunksjonen er nødvendig for verktøyregistrering.

MERK: Fullfør installasjonen av den trådløse enheten i verktøyet før du starter verktøyregistreringen.

MERK: Du må ikke dra i startbryteren eller slå på strømbryteren på støvsugeren under verktøyregistrering.

MERK: Les i tillegg brukerveiledningen for støvsugeren.

Hvis du ønsker å aktivere støvsugeren sammen med verktøyets bryterfunksjon, må du fullføre verktøyregistreringen på forhånd.

1. Sett batteriene i støvsugeren og verktøyet.
2. Still ventebryteren på støvsugeren på "AUTO".
► **Fig.37:** 1. Ventebryter
3. Trykk på trådløseaktiveringsknappen på støvsugeren i 3 sekunder til trådløseaktiveringslampen blinker grønt. Deretter trykker du på trådløseaktiveringsknappen på verktøyet på samme måte.

Beskrivelse av trådløseaktiveringslampens status

- **Fig.42:** 1. Trådløseaktiveringslampe

Trådløseaktiveringslampen viser statusen til trådløseaktiveringsfunksjonen. Du finner informasjon om lampestatusens

- **Fig.38:** 1. Trådløseaktiveringsknapp
2. Trådløseaktiveringslampe

Hvis koblingen av støvsugeren og verktøyet lykkes, vil trådløseaktiveringslampene lyse grønt i 2 sekunder og begynner å blinke blått.

MERK: Trådløseaktiveringslampene slutter å blinke grønt når det har gått 20 sekunder. Trykk på trådløseaktiveringsfunksjonen på verktøyet mens trådløseaktiveringslampen på støvsugeren blinker. Hvis trådløseaktiveringslampen ikke blinker grønt, trykker du på trådløseaktiveringsknappen et kort øyeblikk og holder den inne igjen.

MERK: Når du utfører to eller flere verktøyregistreringer for én støvsuger, fullfører du verktøyregistreringen en etter en.

Starte trådløseaktiveringsfunksjonen

MERK: Fullfør verktøyregistreringen for støvsugeren før trådløseaktiveringen.

MERK: Les i tillegg brukerveiledningen for støvsugeren.

Etter at et verktøy er registrert til støvsugeren, vil støvsugeren automatisk svive sammen med verktøyets bryterfunksjon.

1. Installerer den trådløse enheten i verktøyet.
2. Koble støvsugerens slange til verktøyet.
► **Fig.39**
3. Still ventebryteren på støvsugeren på "AUTO".
► **Fig.40:** 1. Ventebryter
4. Trykk et kort øyeblikk på trådløseaktiveringsknappen på verktøyet. Trådløseaktiveringslampen vil blinke blått.

- **Fig.41:** 1. Trådløseaktiveringsknapp
2. Trådløseaktiveringslampe

5. Slå på verktøyet. Kontroller om støvsugeren går mens verktøyet er i drift.

Hvis du vil stanse støvsugerens trådløseaktivering, trykker du på trådløseaktiveringsknappen på verktøyet.










MERK: Trådløseaktiveringslampen på verktøyet vil slutte å blinke blått når verktøyet ikke har blitt brukt på 2 timer. Da setter du i tilfelle ventebryteren på støvsugeren på "AUTO" og trykker på trådløseaktiveringsknappen på verktøyet igjen.

MERK: Støvsugeren starter/stopper med en forsinkelse. Det er en tidsforsinkelse når støvsugeren oppdater at en bryter på verktøyet er trykket på.

MERK: Det trådløse enhetens overføringsavstand kan variere avhengig av sted og omgivelsesforhold.

MERK: Når to eller flere verktøy er registrert til én støvsuger, kan det hende at støvsugeren begynner å kjøre selv om du ikke slår på verktøyet fordi en annen bruker bruker trådløseaktiveringsfunksjonen.

betydning i tabellen nedenfor.

Status	Trådløstaktiveringslampe				Beskrivelse
	Farge	 På	 Blinker	Varighet	
Ventemodus	Blå			2 timer	Trådløstaktivering av støvsugeren er tilgjengelig. Lampen vil slå seg av når verktøyet ikke har blitt brukt på 2 timer.
				Når verktøyet sviver.	Trådløstaktivering av støvsugeren er tilgjengelig, og verktøyet sviver.
Verktøyregistrering	Grønn			20 sekunder	Klar for verktøyregistrering. Venter på registrering av støvsugeren.
				2 sekunder	Verktøyregistreringen er fullført. Trådløstaktiveringslampen vil begynne å blinke blått.
Avbryte verktøyregistrering	Rød			20 sekunder	Klar for å avbryte verktøyregistrering. Venter på at støvsugeren skal avbryte.
				2 sekunder	Verktøyregistreringen er avbrutt. Trådløstaktiveringslampen vil begynne å blinke blått.
Andre	Rød			3 sekunder	Den trådløse enheten forsynes med strøm, og trådløstaktiveringsfunksjonen starter opp.
	Av	-		-	Trådløstaktivering av støvsugeren stanses.

Avbryte verktøyregistrering for støvsugeren

Gå frem på følgende måte når du skal avbryte verktøyregistrering for støvsugeren.

1. Sett batteriene i støvsugeren og verktøyet.
2. Still ventebryteren på støvsugeren på "AUTO".
► **Fig.43:** 1. Ventebryter
3. Trykk på trådløstaktiveringsknappen på støvsugeren i 6 sekunder. Trådløstaktiveringslampen blinker grønt og blir deretter rød. Deretter trykker du på trådløstaktiveringsknappen på verktøyet på samme måte.

- **Fig.44:** 1. Trådløstaktiveringsknapp
2. Trådløstaktiveringslampe

Hvis avbrytingen er vellykket, vil trådløstaktiveringslampene lyse rødt i 2 sekunder og begynne å blinke blått.

MERK: Trådløstaktiveringslampene slutter å blinke rødt når det har gått 20 sekunder. Trykk på trådløstaktiveringsfunksjonen på verktøyet mens trådløstaktiveringslampen på støvsugeren blinker. Hvis trådløstaktiveringslampen ikke blinker rødt, trykker du på trådløstaktiveringsknappen et kort øyeblikk og holder den inne igjen.

Feilsøking for trådløstaktiveringsfunksjonen

Inspiser utstyret selv før du bestiller reparasjon. Ikke prøv å demontere verktøyet hvis du finner et problem som ikke er forklart i brukerveiledningen. I stedet bør du ta kontakt med et av Makitas autoriserte servicesentre, som alltid bruker reservedeler fra Makita til reparasjoner.

Unormal tilstand	Sannsynlig årsak (feil)	Løsning
Trådløstaktiveringslampen tennes/ blinker ikke.	Den trådløse enheten er ikke installert i verktøyet. Den trådløse enheten er installert på feil måte i verktøyet.	Installer den trådløse enheten på riktig måte.
	Det trådløse enhetens tilkoblingspunkt og/eller spor er tilsmusset.	Tørk forsiktig bort støv og smuss på den trådløse enhetens tilkoblingspunkt, og rengjør sporet.
	Du har ikke trykket på trådløstaktiveringsknappen.	Trykk et kort øyeblikk på trådløstaktiveringsknappen på verktøyet.
	Ventebryteren på støvsugeren er ikke stillt inn på "AUTO".	Still ventebryteren på støvsugeren på "AUTO".
	Ingen strømforsyning	Sørg for at verktøyet og støvsugeren har strømforsyning.

Unormal tilstand	Sannsynlig årsak (feil)	Løsning
Kan ikke fullføre verktøyregistrering/ avbryte verktøyregistrering.	Den trådløse enheten er ikke installert i verktøyet. Den trådløse enheten er installert på feil måte i verktøyet.	Installer den trådløse enheten på riktig måte.
	Det trådløse enhetens tilkoblingspunkt og/eller spor er tilsusset.	Tørk forsiktig bort støv og smuss på den trådløse enhetens tilkoblingspunkt, og rengjør sporet.
	Ventebryteren på støvsugeren er ikke stilt inn på "AUTO".	Still ventebryteren på støvsugeren på "AUTO".
	Ingen strømforsyning	Sørg for at verktøyet og støvsugeren har strømforsyning.
	Feil bruk	Trykk på trådløseaktiveringsknappen et kort øyeblikk, og utfør verktøyregistrering/avbryting på nytt.
	Verktøyet og støvsugeren er for langt unna hverandre (utenfor overføringsområdet).	Sørg for at verktøyet og støvsugeren er nærmere hverandre. Maksimal overføringsavstand er ca. 10 m, men den kan variere avhengig av forholdene.
	Før du fullfører verktøyregistrering/ avbryting: - bryteren på verktøyet er slått på, eller - startknappen på støvsugeren er slått på.	Trykk på trådløseaktiveringsknappen et kort øyeblikk, og utfør verktøyregistrering/avbryting på nytt.
	Verktøyregistreringen for verktøyet eller støvsugeren er ikke fullført.	Følg fremgangsmåten for verktøyregistrering for både verktøyet og støvsugeren samtidig.
	Radioforstyrrelse fra andre innretninger som genererer radiobølger med høy intensitet.	Hold verktøyet og støvsugeren borte fra innretninger som WiFi-enheter og mikrobølgeovner.
Støvsugeren svinger ikke sammen med verktøyet bryterfunksjon.	Den trådløse enheten er ikke installert i verktøyet. Den trådløse enheten er installert på feil måte i verktøyet.	Installer den trådløse enheten på riktig måte.
	Det trådløse enhetens tilkoblingspunkt og/eller spor er tilsusset.	Tørk forsiktig bort støv og smuss på den trådløse enhetens tilkoblingspunkt, og rengjør sporet.
	Du har ikke trykket på trådløseaktiveringsknappen.	Trykk på trådløseaktiveringsknappen et kort øyeblikk, og kontroller at trådløseaktiveringslampen blinker blått.
	Ventebryteren på støvsugeren er ikke stilt inn på "AUTO".	Still ventebryteren på støvsugeren på "AUTO".
	Mer enn 10 verktøy er registrert til støvsugeren.	Utfør verktøyregistreringen på nytt. Hvis mer enn 10 verktøy er registrert til støvsugeren, vil det først registrerte verktøyet bli fjernet automatisk.
	Støvsugeren slettet alle verktøyregistreringer.	Utfør verktøyregistreringen på nytt.
	Ingen strømforsyning	Sørg for at verktøyet og støvsugeren har strømforsyning.
	Verktøyet og støvsugeren er for langt unna hverandre (utenfor overføringsområdet).	Sørg for at verktøyet og støvsugeren er nærmere hverandre. Maksimal overføringsavstand er ca. 10 m, men den kan variere avhengig av forholdene.
	Radioforstyrrelse fra andre innretninger som genererer radiobølger med høy intensitet.	Hold verktøyet og støvsugeren borte fra innretninger som WiFi-enheter og mikrobølgeovner.
Støvsugeren går mens verktøyet ikke er i drift.	Andre brukere bruker støvsugerens trådløseaktivering med verktøyene sine. Slå av de andre verktøyenes trådløseaktiveringsknapp, eller avbryt verktøyregistrering for andre verktøy.	

VEDLIKEHOLD

⚠FORSIKTIG: Forviss deg alltid om at maskinen er slått av og batteriet tatt ut før du foretar inspeksjon eller vedlikehold.

⚠FORSIKTIG: Rengjør vernet for å sikre at det ikke finnes oppsamlet sagspon som kan hindre betjening av vernesystemet. Et skittent vernesystem kan begrense forsvarlig bruk og føre til alvorlig personskade. Den mest effektive måten å foreta denne rengjøringen på er ved bruk av trykkluft. **Bruk passende øye- og pustevern hvis støvet blåses ut av vernene.**

OBS: Aldri bruk gasolin, bensin, tynner alkohol eller lignende. Det kan føre til misfarging, deformering eller sprekkdannelse.

Justere 0°- og 45°-skjærenøyaktighet

OBS: Hendlene for -1°-skråvinkel må ikke være i inngrep når du justerer 0°-skjærenøyaktighet.

OBS: Henden for 48°-skråvinkel må ikke være i inngrep når du justerer 45°-skjærenøyaktighet.

Disse justeringene er gjort på fabrikken. Men hvis de er unøyaktige, kan du justere dem i henhold til følgende prosedyrer.

1. Løsner klemmeskruene foran og bak på verktøyet litt.
2. Justere bladvinkelen.
► **Fig.45:** 1. Trekantlinjal

Når du skal justere 0°-skjærenøyaktigheten, gjør du foten vinkelrett i forhold til bladet ved hjelp av en trekantlinjal, firkantlinjal, osv. ved å dreie justeringsbolten.

► **Fig.46:** 1. Justeringsbolt for 0°-skjæring

Når du skal justere 45°-skjærenøyaktigheten, setter du foten i 45° i forhold til bladet ved hjelp av en trekantlinjal ved å dreie justeringsbolten.

► **Fig.47:** 1. Justeringsbolt for 45°-skjæring

3. Stram klemskruene, og foreta en prøveskjæring.

For å opprettholde produktets SIKKERHET og PÅLITELIGHET, må reparasjoner, vedlikehold og justeringer utføres av autoriserte Makita servicesentre eller fabrikkservicesentre, og det må alltid brukes reservedeler fra Makita.

VALGFRITT TILBEHØR

⚠FORSIKTIG: Det anbefales at du bruker dette tilbehøret eller verktøyet sammen med den Makita-maskinen som er spesifisert i denne håndboken. Bruk av annet tilbehør eller verktøy kan forårsake personskader. Tilbehør og verktøy må kun brukes til det formålet det er beregnet på.

Ta kontakt med ditt lokale Makita-servicesenter hvis du

trenger mer informasjon om dette tilbehøret.

- Sirkelsagblad
- Underfot
- Sekskantnøkkel
- Føringssskinne
- Fasettføring
- Klemme
- Ark
- Gummiark
- Posisjonsark
- Trådløs enhet (for DSP601)
- Makita originalbatteri og lader

MERK: Enkelte elementer i listen kan være inkludert som standardtilbehør i verktøypakken. Elementene kan variere fra land til land.

TEKNISET TIEDOT

Malli:	DSP600	DSP601
Terän halkaisija	165 mm	
Suurin leikkuusyvyyys	0°:ssa	56 mm
	45° viisteellä	40 mm
	48° viisteellä	38 mm
Kuormittamaton kierrosnopeus	2 500 - 6 300 min ⁻¹	
Kokonaispituus	346 mm	
Nimellisjännite	DC 36 V	
Nettopaino	4,4 - 5,1 kg	

- Jatkuvasta tutkimus- ja kehitystyöstämme johtuen esitetyt tekniset tiedot saattavat muuttua ilman erillistä ilmoitusta.
- Tekniset tiedot ja akkupaketti voivat vaihdella maittain.
- Paino voi olla erilainen lisävarusteista sekä akusta johtuen. EPTA-menettelytavan 01/2014 mukaisesti, taulukossa on kuvattu kevyin ja painavin laiteyhdistelmä.

Käytettävä akkupaketti ja laturi

Akkupaketti	BL1815N / BL1820B / BL1830B / BL1840B / BL1850B / BL1860B
Laturi	DC18RC / DC18RD / DC18RE / DC18SD / DC18SE / DC18SF / DC18SH / DC18WC

- Tiettyjä yläpuolella kuvattuja akkuja ja latureita ei ehkä ole saatavana asuinalueestasi johtuen.

VAROITUS: Käytä vain edellä eriteltyjä akkupaketteja ja latureita. Muiden akkupakettien ja laturien käyttäminen voi aiheuttaa loukkaantumisen ja/tai tulipalon.

Käyttötarkoitus

Laite on erityisesti tarkoitettu umpisahauksiin. Laite on myös tarkoitettu puun halkaisu- ja katkaisusahaukseen. Jos laite on varustettu sopivalla pyörösahanterällä, sitä voidaan käyttää alumiinin, muovin, mineraaleja sisältävän muovin ja vastaavien materiaalien sahaukseen.

Melutaso

Tyypillinen A-painotettu melutaso määräytyy standardin EN62841-2-5 mukaan:

Malli DSP600

Äänenpainetaso (L_{pA}): 95 dB (A)
 Äänen voiman taso (L_{WA}): 103 dB (A)
 Virhemarginaali (K): 3 dB (A)

Malli DSP601

Äänenpainetaso (L_{pA}): 95 dB (A)
 Äänen voiman taso (L_{WA}): 103 dB (A)
 Virhemarginaali (K): 3 dB (A)

HUOMAA: Ilmoitettut melutasoarvot on mitattu standarditestausmenetelmän mukaisesti ja niiden avulla voidaan vertailla työkaluja keskenään.

HUOMAA: Ilmoitettuja melutasoarvoja voidaan käyttää myös altistumisen alustavaan arviointiin.

VAROITUS: Käytä kuulosuojaimia.

VAROITUS: Sähkötyökalun käytön aikana mitattu melutasoarvo voi poiketa ilmoitetuista arvoista laitteen käyttötavan ja erityisesti käsiteltävän työkappaleen mukaan.

VAROITUS: Selvitä käyttäjän suojaamiseksi tarvittavat varoimet todellisissa käyttöolosuhteissa tapahtuvan arvioidun altistumisen mukaisesti (ottaen huomioon käyttöjaksot kokonaisuuksissaan, myös jaksot, joiden aikana laite on sammutettuna tai käy tyhjäkäynnillä).

Tärinä

Kokonaistärinä (kolmen akselin vektorien summa) määräytyy standardin EN62841-2-5 mukaan:

Malli DSP600

Työtila: puun leikkaaminen
 Tärinäpäästö ($a_{h,W}$): 2,5 m/s² tai alhaisempi
 Virhemarginaali (K): 1,5 m/s²
 Työtila: metallin leikkaaminen
 Tärinäpäästö ($a_{h,M}$): 2,5 m/s² tai alhaisempi
 Virhemarginaali (K): 1,5 m/s²

Malli DSP601

Työtila: puun leikkaaminen
 Tärinäpäästö ($a_{h,W}$): 2,5 m/s² tai alhaisempi
 Virhemarginaali (K): 1,5 m/s²
 Työtila: metallin leikkaaminen
 Tärinäpäästö ($a_{h,M}$): 2,5 m/s² tai alhaisempi

HUOMAA: Ilmoitetut kokonaistärinäarvot on mitattu standarditestausmenetelmän mukaisesti ja niiden avulla voidaan vertailla työkaluja keskenään.

HUOMAA: Ilmoitettuja kokonaistärinäarvoja voidaan käyttää myös altistumisen alustavaan arviointiin.

VAROITUS: Sähkötyökalun käytön aikana mitattu todellinen tärinäpäästöarvo voi poiketa ilmoitetuista arvoista laitteen käyttötavan ja erityisesti käsiteltävän työkappaleen mukaan.

VAROITUS: Selvitä käyttäjän suojaamiseksi tarvittavat varoimet todellisissa käyttöolosuhteissa tapahtuvan arvioidun altistumisen mukaisesti (ottaen huomioon käyttöjakso kokonaisuudessaan, myös jaksot, joiden aikana laite on sammutettuna tai käy tyhjäkäynnillä).

Vaatumustenmukaisuusvaatimukset

Koskee vain Euroopan maita

Vaatumustenmukaisuusvaatimukset on liitetty tähän käyttöoppaaseen liitteeksi A.

TURVAVAROITUKSET

Sähkötyökalujen käyttöä koskevat yleiset varoitukset

VAROITUS Tutustu kaikkiin tämän sähkötyökalun mukana toimitettuihin turvavaroituksiin, ohjeisiin, kuviin ja teknisiin tietoihin. Seuraavassa esitettyjen ohjeiden noudattamatta jättäminen voi aiheuttaa sähköiskun, tulipalon ja/tai vakavan vamman.

Säilytä varoitukset ja ohjeet tulevaa käyttöä varten.

Varoituksissa käytettävällä termillä "sähkötyökalu" tarkoitetaan joko verkkovirtaa käyttävää (johdollista) työkalua tai akkukäyttöistä (johdotonta) työkalua.

Akkukäyttöisen pyörösahan turvallisuusohjeet

Sahausohjeet

- VAARA:** Pidä kädet loitolla sahauslinjalta ja terästä. Pidä toista kättä apukahvalla tai moottorin kotelon päällä. Jos pidät kiinni sahasta molemmin käsin, terä ei voi vahingoittaa käsiä.
- Älä korota työkappaleen alapuolelle.** Suojus ei suojaa terältä työkappaleen alapuolella.
- Säädä leikkaussyvyys työkappaleen paksuuden mukaan.** Pienempi osa kuin terän täysi hammas tulee olla näkyvillä työkappaleen alapuolella.
- Älä koskaan pidä työkalua käsissäsi tai jalkojesi välissä leikkaamisen aikana.** Kiinnitä työkalua tukevaan jalustaan. On tärkeää, että työkalua tuetaan luotettavasti loukkaantumisen riskin, terän juuttumisen ja laitteen hallinnan menettämisen välttämiseksi.

► Kuva1

- Pidä sähkötyökalua vain sen eristetyistä tartuntapinnoista, kun on mahdollista, että sen leikkuuterä osuu piilossa oleviin johtoihin.** Jos sähkötyökalun metalliosa joutuu kosketukseen jännitteellisen virtajohdon kanssa, laitteen sähköä johtavat metalliosat voivat aiheuttaa käyttäjälle sähköiskun.
- Käytä halkaisuun aina halkaisu- tai sivuohjainta.** Se parantaa sahaustarkkuutta ja vähentää terän juuttumista.
- Käytä aina oikeankokoisia ja -muotoisia teriä (timantti vs. pyöreä).** Terät, jotka eivät sovi työkalun kiinnityslaitteisiin, pyörivät epäkeskeisesti ja aiheuttavat sahan ohjauksen menetyksen.
- Älä koskaan käytä viallisia tai väärin terän aluslevyjä tai pultteja.** Terän aluslaatat ja pultit on suunniteltu erityisesti tälle sahalle ja takaavat parhaan suorituskyvyn ja turvallisuuden.

Takapotku ja siihen liittyvät varoitukset

- takapotku on äkillinen reaktio, jonka aiheuttaa kiinni juuttunut, vääntynyt tai väärin kohdistettu terä, joka saa sahan hypähtämään irti työkalusta käyttäjää kohti;
- jos terä juuttuu tai jumittuu tiukkaan sahausuraan, terä pysähtyy ja moottorin suojaus kääntää sen pyörimissuunnan nopeasti taaksepäin käyttäjää kohti;
- jos terä vääntyy tai sen kohdistus muuttuu sahausuraan, terän takaosan hampaat voivat pureutua puun pintakerrokseen, jolloin terä nousee ylös urasta ja saha ponnahtaa käyttäjään kohti.

Takapotku johtuu sahan virheellisestä käytöstä ja/tai vääristä käyttöolosuhteista. Takapotku voidaan välttää noudattamalla seuraavia varotoimia.

- Ota sahasta tukeva ete molemmin käsin ja pidä käsiä sellaisessa asennossa, että voit ottaa vastaan mahdollisen takapotkun aiheuttamat voimat.** Sijoita vartalo jommallekummalle puolelle terää, mutta ei terän suuntaisesti. Takapotku voi aiheuttaa sahan ponnahtamisen taaksepäin, mutta käyttäjä voi hallita sen voimat, jos takapotkuun varaudutaan asianmukaisin varotoimin.
- Jos terä jumittaa tai jos keskeytät leikkaamisen jostakin muusta syystä, vapauta liipaisinytkin ja pidä saha paikoillaan työkalupaleessa, kunnes terä on täysin pysähtynyt.** Älä koskaan yritä poistaa sahaa työkalupaleesta tai vetää sahaa taaksepäin, kun terä liikkuu tai seurauksena voi olla takapotku. Tutki ja korjaa mahdolliset syyt, jotka aiheuttavat terän jumittumisen.
- Kun saha käynnistetään uudelleen työkalupaleessa, keskitä sahanterän sahausuraan ja tarkista, että sahan hampaat eivät ole kiinni materiaalissa.** Jos terä on jumissa, se saattaa hypähtää työkalupaleesta tai aiheuttaa takapotkun käynnistettäessä sahaa uudelleen.
- Tue suuria paneeleja, jotta minimoit terien jumittumisen ja takapotkujen riskin.** Suurilla paneeleilla on tapana taipua oman painonsa vaikutuksesta. Levy on tuettava molemmilta puolilta sahauslinjan vierestä ja reunoilta.

► Kuva2

► Kuva3

5. Älä käytä tylsiä tai vioittuneita teriä. Tylsät tai väärin asetetut terät tekevät kapean sahausuran, josta on seurauksena ylimääräistä kitkaa, terän taipuminen ja takapotku.
6. Terän syvyys ja viisteen säädön lukitusvivut on oltava tiukalla ennen leikkauksen suoritusta. Jos terän asetus siirtyy leikkauksen aikana, seurauksena voi olla terän jumutuminen ja takapotku.
7. Ole erityisen varovainen, kun sahaat umpinaisia seinäpintoja tai jos et muuten näe sahattavaa kohdetta. Läpituoneutuva terä voi leikata kohteita, jotka saattavat aiheuttaa takapotkun.
8. PIDÄ AINA koneesta tukevasti molemmin käsin. ÄLÄ KOSKAAN pidä kättä, jalkaa tai muuta ruumiinosaa työkalun pohjan alapuolelle tai sahan taakse, varsinkaan katkaisussa. Jos saha potkaisee taakse, se voi helposti ponnahtaa käsille ja aiheuttaa vakavia vammoja.

► Kuva4

9. Älä koskaan sahaa väkisin. Työnnä sahaa eteenpäin sellaisella nopeudella, että terä leikkaa hidastumatta. Sahan pakottaminen voi aiheuttaa epätasaista leikkauks jälkeä, tarkkuuden vähenemistä ja mahdollisesti takapotkun.

Suojuksen toiminta

1. Varmista suojuksen sulkeutuminen ennen jokaista käyttökertaa. Älä käytä sahaa, jos suojus ei liiku vapaasti eikä sulkeudu peittämällä terän välittömästi. Älä koskaan sido tai kiinnitä suojusta asentoon, jossa terä on suojaamaton. Jos saha putoaa vahingossa, suojus voi taittua. Varmista, että suojus liikkuu vapaasti eikä kosketa terää tai muita osia missään sahauskulmassa tai -syvyydessä.
2. Tarkista suojuksen palautusjousen toiminta ja kunto. Jos suojus ja jousi eivät toimi oikein, ne tulee huoltaa ennen käyttöä. Suojus saattaa toimia hitaasti johtuen vioittuneista osista, tahmeasta karstasta tai jäänteiden kasautumisesta.
3. Varmista, että sahan ohjainlevy ei liiku upotussahausten aikana. Terän liikkuminen sivusuunnassa aiheuttaa takertelua ja mahdollisen takapotkun.
4. Huomioi aina, että suojus peittää terän ennen kuin asetat sahan penkille tai lattialle. Suojaamaton ja vapaasti liikkuva terä voi aiheuttaa sahan siirtymisen taaksepäin leikaten mitä sen eteen tulee. Ota huomioon se aika, jonka terän pysähtyminen sahan sammuttamisen jälkeen vaatii.

Turvallisuutta koskevia lisävaroituksia

1. Ole erityisen varovainen, jos sahaat kosteaa, painekyllästettyä tai oksaista puuta. Vältä teräkärkien ylikuumentamista säätämällä terän nopeus sellaiseksi, että sahaus etenee sujuvasti terän nopeuden hidastumatta. Vältä myös muovien sulamista muovien sahausken aikana.
2. Älä yritä poistaa leikattua materiaalia, kun terä on vielä liikkeessä. Odota, kunnes terä pysähtyy, ennen kuin tartut sahattuun kappaleeseen. Terä pyörii vielä jonkin aikaa sen jälkeen, kun saha on sammutettu.

3. Vältä nauhojen sahaamista. Tarkista puutavara ja poista kaikki naulat ennen sahausta.
4. Aseta sahan alustan leveämpi puoli työkalupaleen tuetun osan päälle, älä sahattaessa irtoavan osan päälle. Jos työkalupale on lyhyt tai pieni, kiinnitä se ruuvipenkkiin. ÄLÄ YRITÄ PITÄÄ LYHYTTÄ TYÖKAPPALETTA PAIKOILLAAN KÄSIN!

► Kuva5

5. Ennen sahan laskemista käsistäsi, varmista, että suojus on sulkeutunut ja terä on täysin pysähtynyt.
 6. Älä koskaan yritä leikata sirkkelillä, joka on ylösalaisin viilapenkillä. Tämä on erittäin vaarallista ja voi johtaa vakaviin vammoihin.
- ### ► Kuva6
7. Jotkin materiaalit sisältävät kemikaaleja, jotka voivat olla myrkyllisiä. Huolehdi siitä, että pölyn sisäänhengittäminen ja ihokosketus estetään. Noudata materiaalin toimittajan turvaohjeita.
 8. Älä pysäytä teriä painamalla sivusta sahanterää.
 9. Älä käytä minkäänlaisia hiomalaikkoja.
 10. Käytä vain sahanterä, joiden halkaisija on sama kuin työkaluun merkitty tai ohjekirjassa mainittu. Väärän kokoisen terän käyttäminen voi vaikuttaa terän suojaukseen tai itse terän toimivuuteen ja aiheuttaa vakavia vammoja.
 11. Pidä terät terävinä ja puhtaina. Terään kovettunut pihka hidastaa sahaamista ja lisää takapotkun vaaraa. Pidä terä puhtaana irrottamalla se sahausta ja puhdistamalla pihkanpoistoaineella, kuumalla vedellä tai petrolilla. Älä käytä koskaan puhdistukseen bensiiniä.
 12. Käytä työkalua käyttäessäsi hengitys- ja kuulosuojaimia.
 13. Käytä aina sahattavalle materiaalille tarkoitettua sahanterää.
 14. Käytä vain sahanterä, joiden merkitty nopeus on vähintään yhtä suuri tai suurempi kuin työkaluun merkitty nopeus.
 15. (Ainoastaan Euroopan maat)
Käytä aina standardin EN847-1 mukaisia sahanterä, jotka on tarkoitettu puulle ja vastaaville materiaaleille.

SÄILYTÄ NÄMÄ OHJEET.

VAROITUS: ÄLÄ anna työkalun helppokäyttöisyyden (toistuvan käytön aikaansaama) johtaa sinua väärään turvallisuuden tunteeseen niin, että laiminlyöt työkalun turvaohjeiden noudattamisen. VÄÄRINKÄYTTÖ tai tässä käyttöohjeessa ilmoitettujen turvamääräysten laiminlyönti voi aiheuttaa vakavia henkilövahinkoja.

Akkupakettia koskevia tärkeitä turvaohjeita

1. Ennen akun käyttöönottoa tutustu kaikkiin laturissa (1), akussa (2) ja akkukäyttöisessä tuotteessa (3) oleviin varoitusteksteihin.
2. Älä pura tai peukaloi imuria akkupakettia.

Se voi johtaa tulipaloon, ylikuumentumiseen tai räjähdykseen.

3. **Jos akun toiminta-aika lyhenee merkittävästi, lopeta akun käyttö.** Seurauksena voi olla ylikuumentuminen, palovammoja tai jopa räjähdys.
4. **Jos akkunenstä pääsee silmiin, huuhtele puhtaalla vedellä ja hakeudu välittömästi lääkärin hoitoon.** Akkuneste voi aiheuttaa näön menetyksen.
5. **Älä oikosulje akkua.**
 - (1) **Älä koske akun napoihin millään sähköä johtavalla materiaalilla.**
 - (2) **Vältä akun oikosulkemista äläkä säilytä akkua yhdessä muiden metalliesineiden, kuten naulojen, kolikoiden ja niin edelleen kanssa.**
 - (3) **Älä aseta akkua alttiiksi vedelle tai sateelle.**

Oikosulku voi aiheuttaa virtapiikin, ylikuumentumista, palovammoja tai laitteen rikkoontumisen.
6. **Älä säilytä ja käytä työkalua ja akkupakettia paikassa, jossa lämpötila voi nousta 50 °C:een (122 °F) tai korkeammaksi.**
7. **Älä hävitä akkua polttamalla, vaikka se olisi pahoin vaurioitunut tai täysin loppuun kulunut.** Avotuli voi aiheuttaa akun räjähtämisen.
8. **Älä naulaa, leikkaa, purista, heitä tai pudota akkupakettia tai iske sitä kovia esineitä vasten.** Tällaiset toimet voivat johtaa tulipaloon, ylikuumentumiseen tai räjähdykseen.
9. **Älä käytä viallista akkua.**
10. **Sisälytviä litium-ioni-akkuja koskevat vaarallisten aineiden lainsäädännön vaatimukset.** Esimerkiksi kolmansien osapuolten huolintaliikkeiden tulee kaupallisissa kuljetuksissa noudattaa pakkaamista ja merkintöjä koskevia erityisvaatimuksia. Lähetettävän tuotteen valmistelu edellyttää vaarallisten aineiden asiantuntijan neuvontaa. Huomioi myös mahdollisesti yksityiskohtaisemmat kansalliset määräykset
Akun avoimet liittimet tulee suojata teipillä tai suojuksella ja pakkaaminen tulee tehdä niin, ettei akku voi liikkua pakkauksessa.
11. **Kun akkupaketti on hävitettävä, poista se laitteesta ja hävitä se turvallisesti.** Hävitä akku paikallisten määräysten mukaisesti.
12. **Käytä akkua vain Makitan ilmoittamien tuotteiden kanssa.** Akkujen asentaminen yhteensopimattomiin tuotteisiin voi aiheuttaa tulipalon, liiallisen ylikuumentumisen, räjähdysriskin tai akkunestevuotoja.
13. **Jos laitetta ei käytetä pitkään aikaan, akku on poistettava laitteesta.**
14. **Akkupaketin lämpötila voi käytön aikana ja sen jälkeen nousta niin kuumaksi, että se voi aiheuttaa palovammoja tai lieviä palovammoja.** Käsittele kuumia akkupaketteja huolellisesti.
15. **Älä kosketa työkalun liittintä välittömästi käytön jälkeen, sillä se voi olla riittävän kuumia aiheuttamaan palovammoja.**
16. **Älä päästä lastuja, pölyä tai maata akkupaketin**

liittimiin, aukkoihin ja uriin. Se voi johtaa työkalun tai akkupaketin lämpenemiseen, syttymiseen, purkautumiseen tai toimintahäiriöön, mikä voi aiheuttaa palovammoja tai vammoja.

17. **Ellei työkalu tue käyttöä korkeajännitelinjojen lähellä, älä käytä akkupakettia korkeajännitelinjojen lähellä.** Se voi johtaa työkalun tai akkupaketin toimintahäiriöön tai rikkoutumiseen.
18. **Pidä akku poissa lasten ulottuvilta.**

SÄILYTÄ NÄMÄ OHJEET.

⚠HUOMIO: Käytä vain alkuperäisiä Makita-akkuja. Muiden kuin aitojen Makita-akkujen, tai mahdollisesti muutettujen akkujen käyttö voi johtaa akun murtumiseen ja aiheuttaa tulipaloja, henkilö- ja omaisuusvahinkoja. Se mitätöi myös Makita-työkalun ja -laturin Makita-takuun.

Vihjeitä akun käyttöön pidämiseksi

1. **Lataa akku ennen kuin se purkautuu täysin.** Lopeta aina työkalun käyttö ja lataa akku, jos huomaat työkalun tehon vähenevän.
2. **Älä koskaan lataa uudestaan täysin ladattua akkua.** Ylilataaminen lyhentää akun käyttöikää.
3. **Lataa akku huoneen lämpötilassa välillä 10 °C - 40 °C.** Anna kuumen akun jäähtyä ennen lataamista.
4. **Irrota akkupaketti työkalusta tai laturista, kun sitä ei käytetä.**
5. **Lataa akkupaketti, jos et käytä sitä pitkään aikaan (yli kuusi kuukautta).**

Langatonta yksikköä koskevat tärkeät turvallisuusohjeet

1. **Älä pura tai peukaloi langatonta yksikköä.**
2. **Pidä langaton yksikkö lasten ulottumattomissa.** Jos tuote niellään vahingossa, ota välittömästi yhteys lääkäriin.
3. **Käytä langatonta yksikköä vain Makitan työkalujen kanssa.**
4. **Älä altista langatonta yksikköä sateelle tai kosteisiin olosuhteisiin.**
5. **Älä käytä langatonta yksikköä paikassa, jossa lämpötila voi nousta yli 50 °C.**
6. **Älä käytä langatonta yksikköä paikassa, jonka läheisyydessä on lääketieteellisiä instrumentteja, kuten sydämentahdistajia jne.**
7. **Älä käytä langatonta yksikköä paikassa, jonka läheisyydessä on automatisoituja laitteita.** Toiminnallisena automatisoidut laitteet voivat aiheuttaa käyttöhäiriöitä tai viirheitä.
8. **Älä jätä langatonta yksikköä paikkaan, jonka lämpötila on suuri tai jossa voi muodostua staattista sähköä tai sähkökohinahäiriöitä.**
9. **Langaton yksikkö voi muodostaa käyttäjälle vaarattomia sähkömagneettikenttiä (EMF).**
10. **Langaton yksikkö on tarkkuuslaite. Varo kolhimasta tai pudottamasta langatonta yksikköä.**
11. **Vältä koskettelomasta langattoman yksikön liittintä paljain käsin tai metallisilla materiaaleilla.**
12. **Irrota akku laitteesta aina, kun laitteeseen**

asennetaan langaton yksikkö.

- Avattaessa uran kantta, vältä paikkoja missä pöly ja vesi voivat päästä uraan. Pidä aina uran aukko puhtaana.
- Aseta langaton yksikkö aina oikeassa suunnassa.
- Älä paina langattoman yksikön langatonta aktivointipainiketta liian kovaa ja/tai paina painiketta teräväreunaisilla kohteilla.
- Sulje aina uran kansi käytön aikana.
- Älä irrota langatonta yksikköä urasta laitteen virransyötön aikana. Muussa tapauksessa voi seurauksena olla langattoman yksikön käyttöhäiriöitä.
- Älä irrota langattoman yksikön tarraa.
- Älä kiinnitä mitään tarroja langattomaan yksikköön.
- Älä jätä langatonta yksikköä paikkaan, missä on staattista sähköä tai sähkökohinahäiriöitä voi muodostua.
- Älä jätä langatonta yksikköä äärimmäisiin lämpötiloihin, kuten auton istuimelle auringonpaisteeseen.
- Älä jätä langatonta yksikköä paikkaan, missä on pölyä tai jauheita tai syövyttäviä kaasuja voi muodostua.
- Äkillinen lämpötilan vaihtelu voi kostuttaa langattoman yksikön. Älä käytä langatonta yksikköä ennenkuin kaste on täysin kuivunut.
- Puhdista langaton yksikkö pyyhkimällä se kevyesti kuivalla liinalla. Älä käytä puhdistamiseen bensiiniä, tinneriä, johtavaa rasvaa tai vastaavaa.
- Säilytä langatonta yksikköä mukana toimituksessa kotelossa tai ei staattisessa säiliössä.
- Älä liitä muita, kuin Makitan langattomia yksiköitä laitteen uraan.
- Älä käytä laitetta uran kannen ollessa vaurioitunut. Uraan pääsevä vesi, pöly ja lika voivat aiheuttaa käyttöhäiriöitä.
- Älä vedä ja/tai väännä uran kantta enempää kuin on tarpeen. Aseta kansi takaisin jos se irtaavaa laitteesta.
- Vaihda uran kansi sen ollessa kadonnut tai vaurioitunut.

SÄILYTÄ NÄMÄ OHJEET.

TOIMINTOJEN KUVAUS

HUOMIO: Varmista aina ennen säätöjä ja tarkastuksia, että työkalu on sammutettu ja akkupaketti irrotettu.

Akun asentaminen tai irrottaminen

HUOMIO: Sammuta työkalu aina ennen akun kiinnittämistä tai irrottamista.

HUOMIO: Pidä työkalusta ja akusta tiukasti kiinni, kun irrotat tai kiinnität akkua. Jos akkupaketti tai työkalu putoaa, ne voivat vaurioitua tai aiheuttaa tapaturman.

Akkupaketti asetetaan paikalleen sovitamalla akkupaketin kieleke rungon uraan ja työntämällä se sitten paikalleen. Työnnä se pohjaan asti niin, että kuulet sen napsahtavan paikoilleen. Jos näet kuvan mukaisen punaisen ilmaisimen, lukitus ei ole täysin pitävä.

Irrota akku painamalla akun etupuolella olevaa painiketta ja vetämällä akku ulos työkalusta.

- Kuva7: 1. Punainen ilmaisin 2. Painike
3. Akkupaketti

HUOMIO: Työnnä akkupaketti aina pohjaan asti, niin että punainen ilmaisin ei enää näy. Jos akkupaketti ei ole kunnolla paikallaan, se voi pudota työkalusta ja aiheuttaa vammoja joko sinulle tai sivullisille.

HUOMIO: Älä käytä voimaa akun asennuksessa. Jos akku ei liu'u paikalleen helposti, se on väärässä asennossa.

HUOMAA: Työkalu ei toimi yhdellä akulla.

Työkalun/akun suojausjärjestelmä

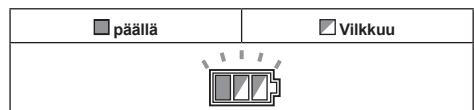
Työkalu on varustettu työkalu/akun suojausjärjestelmällä. Tämä järjestelmä pidentää työkalun ja akun käyttöikää katkaisemalla automaattisesti moottorin virran. Työkalu pysähtyy automaattisesti kesken käytön, jos työkalussa tai akussa ilmenee jokin seuraavista tilanteista: Joissakin tilanteissa merkivalot syttyvät.

Ylikuormitussuoja

Kun akkua käytetään tavalla, joka saa sen kuluttamaan epätavallisen suuren määrän virtaa, laite pysähtyy automaattisesti. Katkaise tässä tilanteessa laitteesta virta ja lopeta ylikuormitustilan aiheuttanut käyttö. Käynnistä sitten laite uudelleen kytkemällä siihen virta.

Ylikuumenemissuoja

Kun laite ylikuumentuu, se pysähtyy automaattisesti ja akun merkivalo vilkkuu noin 60 sekunnin ajan. Tässä tapauksessa anna laitteen jäähtyä, ennen kuin kytket sen uudelleen päälle.








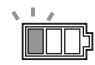
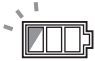
Ylipurkautumissuoja

Jos akun varaus käy vähiin, työkalu pysähtyy automaattisesti. Jos työkalu ei toimi, vaikka kytkimiä käytetään, irrota akut työkalusta ja lataa ne.

Akun jäljellä olevan varaustason ilmaisin

- **Kuva8:** 1. Akkuilmaisain (yläakulle)
2. Tarkistuspainike 3. Akkuilmaisain (ala-akulle)

Painamalla tarkistuspainiketta saat näkyviin akun varaustason. Kumpikin akun ilmaisin vastaa yhtä akkua.











Akun merkkivalon tila			Akussa jäljellä oleva varaus
 Päällä	 Pois päältä	 Viikkuu	
			50 % - 100 %
			20 % - 50 %
			0 % - 20 %
			Lataa akku

Akun jäljellä olevan varaustason ilmaisin

Vain akkupaketeille ilmaisimella

Painamalla tarkistuspainiketta saat näkyviin akun jäljellä olevan varauksen. Merkkivalot palavat muutaman sekunnin ajan.

- **Kuva9:** 1. Merkkivalot 2. Tarkistuspainike

Merkkivalot			Akussa jäljellä oleva varaus
 Palaa	 Pois päältä	 Viikkuu	
			75 % - 100%
			50 % - 75%
			25 % - 50%
			0 % - 25%
			Lataa akku.
 ↑ ↓ 			Akussa on saattanut olla toimintahäiriö.

HUOMAA: Ilmoitettu varaustaso voi erota hieman todellisesta varaustasosta sen mukaan, millaisissa oloissa ja missä lämpötilassa laitetta käytetään.

HUOMAA: Ensimmäinen (vasemmanpuoleisin) merkkivalo vilkkuu, kun akun suojausjärjestelmä on toiminnassa.

Automaattinen nopeudenvaihtotoiminto

HUOMAA: Automaattinen nopeudenvaihtotoiminto on käytössä vain nopeudensäätöasteikolla 5.




Tässä laitteessa on "suuren nopeuden tila" ja "suuren vääntömomentin tila".

Laite muuttaa toimintatilaa automaattisesti työkuormituksen mukaan. Kun työkuormitus on alhainen, laite toimii "suuren nopeuden tilassa" varmistaen nopeamman sahaustoiminnon. Kun työkuormitus on korkea, laite toimii "suuren vääntömomentin tilassa" varmistaen tehokkaamman sahaustoiminnon.

- **Kuva10:** 1. Tilan merkkivalo

Tilan merkkivalo palaa käytön aikana vihreänä laitteen ollessa "suuren vääntömomentin tilassa".

Jos laitetta käytetään äärimmäisellä kuormituksella, tilan merkkivalo vilkkuu vihreänä. Tilan merkkivalo sammuu ja syttyy uudelleen, tai merkkivalo sammuu jos alennat laitteen kuormitusta.

Tilan merkkivalon tila			Toimintatila
<input checked="" type="radio"/> Päällä	<input type="radio"/> Pois päältä	<input checked="" type="radio"/> Viikkuu	
			Suuren nopeuden tila
			Suuren vääntömomentin tila
			Ylikuormituksen häilytys

Leikkaussyvyyden säätäminen

▲HUOMIO: Kiristä kiristysruuvi aina leikkaussyvyyden säätämisen jälkeen.

Löysää syvyyttulkiri kiristysruuvia ja siirrä terän alarajoin haluttuun syvyyteen asteikkolevyllä. Muista kiristää kiristysruuvi aina leikkaussyvyyden säätämisen jälkeen.

Aseta syvyys niin, että vain yksi terän hammas ulottuu työkappaleen alapinnan ulkopuolelle, jolloin leikkausjäljestä tulee siisti ja itse leikkaus on turvallisempaa. Oikea leikkaussyvyys vähentää henkilövahinkoja aiheuttavien mahdollisten TAKAPOTKUJEN vaaraa.

- **Kuva11:** 1. Terän alarajoin 2. Kiristysruuvi

Pikarajoinpainike 2 - 3 mm leikkaussyvyyksille ohjainkiskoa (lisävaruste) käytettäessä

Tämä laite on varustettu takakahvan viereisessä vaihteistokotelossa olevalla pikarajoinpainikkeella 2 - 3 mm leikkaussyvyyksille, jota voidaan käyttää yhdessä ohjainkiskon kanssa. Näin voidaan estää säleiden irtoaminen työkappaleesta. Sahaa ensin 2 - 3 mm syvyinen ura ja sen jälkeen sahaa uudestaan normaalisyyvytydellä.

- **Kuva12:** 1. Pikarajoinpainike

Saavutat 2 - 3 mm leikkuusyvyyden työntämällä pikara-joitinpainiketta sahanterää kohti. Tämä estää työkappaleen halkeilun ja lohkeilun.

Vapauta leikkuusyvyydestä asennosta normaalisahausta varten vetämällä vain painiketta taaksepäin.

Viistosahaus

Löysää kiristysruuvit. Aseta haluttu kulma kallistamalla laitetta haluttuun kulmaan ja kiristä sitten kiristysruuvi luotettavasti.

► **Kuva13:** 1. Kiristysruuvi 2. Viistekulman mittaviivainlevy

► **Kuva14:** 1. Pohja-alusta (Lisävaruste)
2. Kiristysruuvi

Positiivinen pysäytin

Positiivinen pysäytin on hyödyllinen nopean kohdekulman asettamiseen. Kierrä positiivista pysäytintä siten, että sen kärjessä oleva nuoli osoittaa kohtaan 22,5°. Löysää kiristysruuveja edessä ja takana. Kallista sitten terää kunnes se pysähtyy ja lukitse alusta kiristysruuveilla.

► **Kuva15:** 1. Positiivinen pysäytin 2. Kiristysruuvi

48°-viisteitys

48°-viisteityksen suorittamiseksi löysää kiristysruuveja, ja kallista vipua täysin kohti nuolen osoittamaa suuntaa kuvan mukaisesti. Tämän jälkeen aseta viistekulma arvolle 48°, ja kiristä kiristysruuvit.

► **Kuva16:** 1. Vipua

-1°-viisteitys

-1°-viisteityksen suorittamiseksi löysää kiristysruuveja, ja paina vipuja kohti nuolen osoittamaa suuntaa kuvan mukaisesti. Tämän jälkeen aseta viistekulma arvolle -1°, ja kiristä kiristysruuvit.

► **Kuva17:** 1. Vipua

Tähtäys

► **Kuva18:** 1. Alusta

Sahauslinja vaihtelee leikkuukulmasta sekä mahdollisesti käyttämästäsi ohjainkiskosta (lisävaruste) johtuen.

Kun laitetta käytetään ilman ohjainkiskoa

Kun haluat suorittaa suoran sahauskseen, kohdistaa alustan etuosan piste A sahauslinjaasi. Kun haluat suorittaa 45° viisteityksiä, kohdistaa piste B sahauslinjaan.

Kun laitetta käytetään ohjainkiskon kanssa

Kun haluat sahata suoraan tai tehdä 45°:n viisteityksiä, kohdistaa aina alustan etuosan piste A sahauslinjaasi.

Kytkimen käyttäminen

VAROITUS: Tarkista aina ennen akkupaketin asettamista työkaluun, että liipaisinkytkin kytkeytyy oikein ja palaa "OFF"-asentoon, kun se vapautetaan.

VAROITUS: ÄLÄ KOSKAAN ohita lukituksen vapautuspainiketta teippaamalla sitä kiinni tai muulla tavoin. Jos kytkimen lukituksen vapautuspainike vapautetaan, laite saattaa käynnistyä vahingossa, mistä voi seurata vakava henkilövahinko.

VAROITUS: ÄLÄ KOSKAAN käytä sahaa, jos se käynnistyy pelkästään liipaisinkytkintä painamalla ilman, että painaisit lukituksen vapautuspainiketta. Jos kytkin on viallinen, laite saattaa käynnistyä vahingossa, mistä voi seurata vakava henkilövahinko. Toimita työkalu Makita-huoltoon korjattavaksi ENNEN kuin jatkat käyttöä.

Lukituksen vapautusnappi ehkäisee liipaisinkytkimen tahattoman vetämisen. Käynnistä työkalu painamalla lukituksen vapautuspainike sisään ja vetämällä liipaisinkytkimestä. Voit pysäyttää työkalun vapauttamalla liipaisinkytkimen.

► **Kuva19:** 1. Liipaisinkytkin 2. Lukituspainike

HUOMAUTUS: Älä vedä kytkimen liipaisinta voimakkaasti, ellei samalla paina lukituksen vapautusnappia. Kytkin voi rikkoutua.

Nopeudensäätöpyörä

Laitenopeutta voidaan säätää kiertämällä säätöpyörää. Terän pyörimisnopeus kasvaa, jos nostat nopeudensäätöpyörän numeroita.

► **Kuva20:** 1. Nopeudensäätöpyörä

Katso ja valitse taulukosta sahattavan työkappaleen oikea leikkausnopeus. Todellinen nopeus voi kuitenkin erota työkappaleen tyypin tai paksuuden mukaan. Yleensä korkeammat nopeudet mahdollistavat nopeamman työkappaleiden sahauskseen sillä seurauksella, että terän käyttöaika lyhenee.

Numero	Terän pyörimisnopeus minuutissa (min ⁻¹)
1	2 500 min ⁻¹
2	2 900 min ⁻¹
3	3 900 min ⁻¹
4	4 900 min ⁻¹
5	6 300 min ⁻¹

HUOMIO: Nopeudensäätöpyörää ei ole tarkoitettu hitaalla nopeudella tapahtuvassa sahauskessa käytettäviin sahanterä varten, vaan sen avulla valitaan sopiva pyörimisnopeus sahattavan materiaalin mukaan. Käytä vain sahanterä, joiden nimellisenopeus on vähintään sama kuin TEKNISET TIEDOT -kohdassa mainittu suurin sallittu nopeus kuormittamattomana.

HUOMAUTUS: Nopeudensäätöpyörää voi kääntää vain numeroon 5 saakka ja takaisin numeroon 1. Älä pakota sitä lukujen 5 tai 1 yli, tai nopeuden säätötoiminto ei ehkä enää toimi.

Sähköinen toiminta

Sähköisiä toimintoja sisältäviä laitteita on helppo käyttää seuraavien ominaisuuksien ansiosta.

Ylikuormitussuoja

Jos laite ylikuormittuu tai virta nousee tietyn rajan yläpuolelle, laite pysähtyy automaattisesti moottorivaurioiden välttämiseksi.

Vakionopeuden säätö

Sähköinen nopeudensäätö vakionopeuden saavuttamiseksi. Kauniin viimeistelyn saavuttaminen on mahdollista, koska pyörimisnopeus pysyy vakiona jopa kuormituksen alla.

Pehmeä käynnisty

Laite käynnistyy pehmeästi vaimentuneen käynnistysnykäyksen johdosta.

KOKOONPANO

⚠HUOMIO: Varmista aina ennen mitään työkalulle tehtäviä toimenpiteitä, että se on sammutettu ja akku irrotettu.

Kuusioavaimen varastointi

Säilytä kuusioavainta kuvan osoittamassa paikassa sen katoamisen välttämiseksi.

► **Kuva21:** 1. Kuusioavain

Pyörösahanterän irrotus ja kiinnitys

⚠HUOMIO: Varmista, että terä on asennettu hampaat sahan etuosassa osoittamaan ylöspäin.

⚠HUOMIO: Käytä terän irrottamiseen ja kiinnittämiseen vain Makitan kiintoavainta.

Irrota sahanterä:

1. Paina lukituspainiketta ja laske kahvaa hieman alas. Kierrä lukitusvipua ja laske kahvaa alas, kunnes lukitustappi soviittuu reikään.

► **Kuva22:** 1. Lukituspainike 2. Lukitusvipu
3. Lukitustappi 4. Lukitustapin reikä

2. Paina akselin lukkoa niin, että terä ei pääse pyörimään ja löysää kuusiopultti käyttämällä kuusioavainta.

► **Kuva23:** 1. Akselin lukko 2. Kuusioavain 3. Kiristä
4. Löysää

3. Irrota kuusiopultti, ulkolaippa ja pyörösahanterä.

► **Kuva24:** 1. Kuusiopultti 2. Ulkolaippa 3. Sisälaippa
4. Pyörösahanterä

⚠VAROITUS: Jos sisälaippa on irrotettu, varmista, että asennat sen karan päälle. Asennuksen aikana valitse se puoli, jonka ulkonema sopii täysin sahanterän reikään. Terän asentaminen väärälle puolelle voi aiheuttaa vaarallista tärinää.

Pyörösahanterä kiinnitetään irrottamiseen nähden päinvastaisessa järjestyksessä. Paina lukituspainiketta lukitustapin vapauttamiseksi reiästä.

⚠VAROITUS: MUISTA KIRISTÄÄ KUUSIOPULTTI KUNNOLLA. Varo myös kiristämästä pulttia väkisin. Kätesi lipsahdus voi aiheuttaa tapaturman.

Teräsuojuksen puhdistus

Vaihdettaessa pyörösahanterää, varmista, että puhdistat myös teräsuojaan kerääntyneen sahanpurun Huolto-kappaleen ohjeiden mukaisesti. Näistä toimenpiteistä huolimatta tarkista aina suojuksen toiminta ennen jokaista käyttökertaa.

Pölynimurin kytkeminen

Lisävaruste

Jos haluat tehdä sahaustyön siististi, liitä laitteeseesi Makita-pölynimuri. Liitä pölynimurin letku pölysuuttimeen käyttämällä sovitinkappaleita 24.

► **Kuva25:** 1. Pölynimurin letku 2. Sovitinkappale 24
3. Pölysuutin

TYÖSKENTELY

⚠HUOMIO: Työnnä työkalua kevyesti suoraan eteenpäin. Työkalun pakottaminen tai vääntäminen johtaa moottorin ylikuumentumiseen ja voi aiheuttaa vaarallisen takapotkun ja vakavia vammoja.

⚠HUOMIO: Älä koskaan pidä kehonosiiasi laitealustan alapuolella profiilisahausten aikana, varsinkaan sahaustuksen alkuvaiheessa. Muussa tapauksessa seurauksena voi olla vakavia henkilövahinkoja. Terä on laitealustan alapuolella paljaana ilman mitään suojaa.

HUOMAA: Jos akku on kylmä, työkalu ei ehkä toimi täydellä teholla. Silloin voit esimerkiksi käyttää työkalua kevyisiin tehtäviin, kunnes akku lämpenee huoneenlämpöiseksi. Tämän jälkeen työkalua voi taas käyttää täydellä teholla.

Profiilisahaus (tavanomainen sahaus)

► **Kuva26**

Ota laitteesta luja ote. Laitteesta on sekä etu- että takakahva. Pidä laitteesta kiinni molemmista kahvoista. Jos pidät kiinni laitteesta molemmin käsin, et voi loukata käsiäsi pyörösahanterään. Aseta laitealusta sahattavan työkappaleen päälle ilman, että pyörösahanterä koskee työkappaleeseen missään kohdassa. Paina nyt lukituksen vapautuspainiketta ja paina liipaisinkytkintä.

Odota kunnes pyörösahanterä on saavuttanut täyden nopeuden. Paina nyt sahapäätä hitaasti alas etukäteen asetettuun leikkusyvyyteen ja siirrä laitetta eteenpäin työkappaleen pinnalla vaakatasossa ja edeten tasaisesti, kunnes sahaus on valmis. Siistin sahaustuloksen saavuttamiseksi, pidä sahauslinja suorana ja sahausnopeutesi tasaisena. Jos sahaus menee vinoon, älä yritä vääntää tai pakottaa laiteta oikeaan sahauslinjaan. Pyörösahanterä voi jumiutua ja aiheuttaa vaarallisen takapotkun ja mahdollisesti vakavia henkilövahinkoja. Vapauta liipaisinkytkin ja odota, kunnes pyörösahanterä pysähtyy ja ota sen jälkeen laite pois. Kohdistu saha uuteen sahauslinjaan ja aloita sahaaminen uudestaan. Yritä asettaa sellaiseen kohtaan, jossa et joudu alltiiksi sahasta lentävälle purulle ja lastuille. Käytä suojalaseja vahinkojen välttämiseksi.

Ohjainkisko

Lisävaruste

Aseta laite ohjainkiskon takapäähän. Kierrä laitealustassa olevia säätöruuveja niin, että saha liukuu tasaisesti kolisematta. Pidä laitteen etu- ja takakahvasta kiinni luotettavasti. Käynnistä laite, paina se alas ennalta asetettuun leikkusyvyyteen ja suorita sahaus lastusuojan pituudelta yhdellä vedolla. Lastusuojan reuna on sahausreunan kohdalla.

► **Kuva27:** 1. Säätöruuvit

Suorittaessa viisteitystä ohjainkiskon kanssa, käytä liukuvipua laitteen kaatumisen estämiseksi. Siirrä laitealustassa olevaa liukuvipua nuolen osoittamaan suuntaan niin, että se kiinnittyy ohjainkiskon alauraan.

► **Kuva28:** 1. Liukuvipu

Pohja-alusta (Ohjainmitta)

Lisävaruste

Käyttämällä pohja-alustaa ohjainmittana, voit suorittaa erittäin tarkkoja suorita sahaus. Löysää kiristysruuveja ja siirrä pohja-alusta pois laitteesta ja tämän jälkeen aseta se ylösalaisin.

► **Kuva29:** 1. Kiristysruuvi 2. Pohja-alusta

Siirrä pohja-alustan ohjain tiukasti kiinni työkappaleen reunaan ja kiristä se paikalleen kiristysruuvilla. Näin voit myös sahata useita saman levyisiä kappaleita.

► **Kuva30:** 1. Kiristysruuvi 2. Pohja-alusta

Umpisahaus (Syvennys)

VAROITUS: Noudata takapotkun estämiseksi seuraavia ohjeita.

► **Kuva31:** 1. Laitealusta takareuna 2. Kiinteä rajoitin

Käytettäessä laitetta ilman ohjainkiskoa, aseta laite työkappaleen päälle niin, että sen alustan takareuna on vasten kiinteää rajoitinta tai vastaavaa, käyttäjän toimesta suunniteltua estettä.

Käytettäessä laitetta ohjainkiskon kanssa, aseta laite ohjainkiskon päälle niin, että sen alustan takareuna on vasten kiinteää rajoitinta tai vastaavaa, ohjainkiskoon kiinnitettyä estettä.

Pidä laitteesta aina tukevasti kiinni toinen käsi

etukahvassa ja toinen laitteen pääkahvassa. Paina sitten lukituksen vapautuspainiketta, käynnistä laite ja odota, kunnes terä pyörii täydellä nopeudella. Paina nyt sahapäätä hitaasti ennalta asetettuun leikkusyvyyteen ja työnnä sahaa eteenpäin haluttuun upotuskohtaan asti.

HUOMAA: Teränsuojuksen sivussa olevat merkinnät osoittavat terän leikkuukohtaan edessä ja takana suurimmalla sahausyvyydellä, kun käytetään ohjainkiskoa.

► **Kuva32:** 1. Etusahauskohta 2. Takasahauskohta

Asteikko-ohjain

Lisävaruste

Jiiristeikko-ohjaimen avulla voidaan suorittaa tarkkoja jiirisahauskia eri kulumilla sovitustiä varten. Varmista työkappaleen kiinnitys penkkiin puristimella.

LANGATON AKTIVOINTITOIMINTO

Vain malli DSP601

Mitä langattomalla aktivointitoiminnolla voi tehdä

Langaton aktivointitoiminto mahdollistaa puhtaan ja miellyttävän käyttötoiminnan. Liittämällä tuettu polynimuri laitteeseen, voit käyttää polynimuria automaattisesti yhdessä laitteen kytkintoiminnan kanssa.

► **Kuva33**

Langattoman aktivointitoiminnon käyttämiseksi valmiittele seuraavat kohdat:

- Langaton yksikkö (lisävaruste)
- Polynimuri, joka tulee langatonta aktivointitoimintoa

Langattoman aktivointitoiminnon asetuksen kuvaus on seuraavana. Katso jokaisen osion yksityiskohtaiset ohjeet.

1. Langattoman yksikön asennus
2. Laitteen rekisteröinti polynimurille
3. Langattoman aktivointitoiminnon aloitus

Langattoman yksikön asennus

Lisävaruste

HUOMIO: Aseta laite tasaisen ja vakaan pinnan päälle langattoman yksikön asentamiseksi.

HUOMAUTUS: Puhdista laitteesta pöly ja lika ennen langattoman yksikön asentamista. Pöly ja lika voivat aiheuttaa käyttöhäiriöitä päästessään langattoman yksikön uraan.

HUOMAUTUS: Staattisuudesta aiheutuvien käyttöhäiriöiden estämiseksi kosketa staattisesti purkautuvaa materiaalia, kuten laitteen metalliosia ennen langattoman yksikön nostamista.

HUOMAUTUS: Varmista aina langattoman yksikön asennuksen aikana, että langaton yksikkö on liitetty oikeassa suunnassa ja kansi on suljettu täysin kiinni.

1. Avaa laitteen kansi kuvan osoittamalla tavalla.

► **Kuva34:** 1. Kansi

2. Liitä langaton yksikkö uraan ja tämän jälkeen sulje kansi.

Langattoman yksikön liittämisen aikana kohdista kielekkeet uran loviosioihin.

► **Kuva35:** 1. Langaton yksikkö 2. Kieleke 3. Kansi 4. Loviosio

Avaa kansi hitaasti langattoman yksikön irrottamisen aikana. Kannen takana olevat koukut nostavat langattoman yksikön ylös samalla kun nostat kannen ylös.

► **Kuva36:** 1. Langaton yksikkö 2. Koukku 3. Kansi

Säilytä langatonta yksikköä mukana toimitetussa kotelossa tai ei staattisessa säiliössä sen irrottamisen jälkeen.

HUOMAUTUS: Käytä aina kannen takana olevia koukkuja langattoman yksikön irrottamisen aikana. Jos koukut eivät tartu langattomaan yksikköön, sulje kansi täysin kiinni ja avaa se hitaasti uudelleen.

Laitteen rekisteröinti pölynimurille

HUOMAA: Makita pölynimuri tukee langatonta aktiivitoimintoa, joka vaaditaan laiterekisteröintiä varten.

HUOMAA: Viimeistele langattoman yksikön asennus laitteeseen ennen laiterekisteröinnin aloittamista.

HUOMAA: Älä paina liipaisinkytkintä tai aseta pölynimurin virtakytkintä päälle laiterekisteröinnin aikana.

HUOMAA: Katso lisätietoja myös pölynimurin käyttöohjeesta.

Jos haluat aktivoida pölynimurin yhdessä laitteen kytkintöiminnon kanssa, viimeistele laiterekisteröinti ensin.

1. Asenna akut pölynimuriin ja laitteeseen.

2. Aseta pölynimurin valmiustilan kytkin asentoon "AUTO".

► **Kuva37:** 1. Valmiustilan kytkin

3. Paina pölynimurin langatonta aktiivitoimintapainiketta noin 3 sekunnin ajan, kunnes langattoman aktiivitoiminnan merkkivalo vilkkuu vihreänä. Ja tämän jälkeen paina laitteen langatonta aktiivitoimintapainiketta samalla tavalla.

► **Kuva38:** 1. Langaton aktiivitoimintapainike 2. Langattoman aktiivitoiminnan merkkivalo

Jos pölynimuri ja laite kytketään oikein, langattoman aktiivitoiminnan merkkivalo palaa vihreänä 2 sekunnin ajan

ja vilkkuu tämän jälkeen sinisenä.

HUOMAA: Langattoman aktiivitoiminnan merkkivalo lopettaa vilkkumisen vihreänä 20 sekunnin kuluttua. Paina laitteen langatonta aktiivitoimintapainiketta samalla kun imurin langattoman aktiivitoiminnan merkkivalo vilkkuu. Jos langattoman aktiivitoiminnan merkkivalo ei vilku vihreänä, paina langatonta aktiivitoimintapainiketta lyhyesti ja pidä sitä painettuna alas.

HUOMAA: Suoritettaessa kaksi tai useampaa laiterekisteröintiä yhdelle pölynimurille, lopeta laiterekisteröinti yksi kerrallaan.

Langattoman aktiivitoiminnon aloitus

HUOMAA: Viimeistele laiterekisteröinti pölynimurille ennen langatonta aktiivitoimintaa.

HUOMAA: Katso lisätietoja myös pölynimurin käyttöohjeesta.

Kun laite on rekisteröity pölynimurille, pölynimuri toimii automaattisesti yhdessä laitteen kytkintöiminnon kanssa.

1. Langattoman yksikön asennus laitteeseen.

2. Kiinnitä pölynimurin letku laitteeseen.

► **Kuva39**

3. Aseta pölynimurin valmiustilan kytkin asentoon "AUTO".

► **Kuva40:** 1. Valmiustilan kytkin

4. Paina laitteen langatonta aktiivitoimintapainiketta lyhyesti. Langattoman aktiivitoiminnan merkkivalo vilkkuu sinisenä.

► **Kuva41:** 1. Langaton aktiivitoimintapainike 2. Langattoman aktiivitoiminnan merkkivalo

5. Kytke laite päälle. Tarkista, pyöriikö pölynimuri laitteen toimiessa.

Lopeta pölynimurin langaton aktiivitoiminta painamalla laitteen langatonta aktiivitoimintapainiketta.

HUOMAA: Laitteen langattoman aktiivitoiminnan merkkivalo lopettaa vilkkumisen sinisenä, jos mitään toimintoa ei ole suoritettu 2 tunnin aikana. Tässä tapauksessa aseta pölynimurin valmiustilan kytkin asentoon "AUTO" ja paina uudelleen laitteen langatonta aktiivitoimintapainiketta.

HUOMAA: Pölynimuri käynnistyy/sammuu viiveellä. Käytössä on aikaviive kun pölynimuri tunnistaa laitteen kytkintöiminnon.



HUOMAA: Langattoman yksikön lähetysäisyyks voi vaihdella riippuen sijainnista ja ympäristön olosuhteista.

HUOMAA: Jos yhteen pölynimuriin on rekisteröity kaksi tai useampia laitteita, pölynimuri voi käynnistyä, vaikka laite ei ole päällä. Tämä johtuu siitä, että toinen henkilö käyttää langatonta aktiivitoimintaa.

Langattoman aktiivoinnin merkkivalon tilan kuvaus

► Kuva42: 1. Langattoman aktiivoinnin merkkivalo

Langattoman aktiivoinnin merkkivalo osoittaa langattoman aktiivointitoiminnon tilan. Katso merkkivalon tilaa koskeva tarkoitus alapuolella olevasta taulukosta.

Tila	Langattoman aktiivoinnin merkkivalo				Kuvaus
	Väri	 Päällä	 Vilkkuu	Kesto	
Valmiustila	Sininen	<input checked="" type="checkbox"/>		2 tuntia	Pölynimurin langaton aktiivointi on käytettävissä. Merkkivalo sammuu automaattisesti jos mitään toimintaa ei ole suoritettu 2 tunnin aikana.
		<input type="checkbox"/>		Kun laite on käynnissä.	Pölynimurin langaton aktiivointi on käytettävissä ja laite on käynnissä.
Laiterekisteröinti	Vihreä	<input checked="" type="checkbox"/>		20 sekuntia	Valmis laiterekisteröintiä varten. Odottaa rekisteröintiä pölynimurilta.
		<input type="checkbox"/>		2 sekuntia	Laiterekisteröinti on valmis. Langattoman aktiivoinnin merkkivalo vilkkuu sinisenä.
Laiterekisteröinnin peruutus	Punainen	<input checked="" type="checkbox"/>		20 sekuntia	Valmis laiterekisteröinnin peruutukseen. Odottaa peruutusta pölynimurilta.
		<input type="checkbox"/>		2 sekuntia	Laiterekisteröinnin peruutus on valmis. Langattoman aktiivoinnin merkkivalo vilkkuu sinisenä.
Muut	Punainen	<input type="checkbox"/>		3 sekuntia	Langattomalle yksikölle syötetään virtaa ja langaton aktiivointitoiminto käynnistyy.
	Pois päältä	-		-	Pölynimurin langaton aktiivointi on pysäytetty.

Laiterekisteröinnin peruutus pölynimurille

Suorita seuraavat toimenpiteet peruuttaessasi laiterekisteröinnin pölynimurille.

- Asenna akut pölynimuriin ja laitteeseen.
 - Aseta pölynimurin valmiustilan kytkin asentoon "AUTO".
- **Kuva43:** 1. Valmiustilan kytkin
- Paina pölynimurin langatonta aktiivointipainiketta 6 sekunnin ajan. Langattoman aktiivoinnin merkkivalo vilkkuu vihreänä ja tämän jälkeen punaisena. Tämän jälkeen paina laitteen langatonta aktiivointipainiketta

samalla tavalla.

- **Kuva44:** 1. Langaton aktiivointipainike
2. Langattoman aktiivoinnin merkkivalo

Jos peruutus suoritetaan oikein, langattoman aktiivoinnin merkkivalo palaa punaisena 2 sekunnin ajan ja vilkkuu tämän jälkeen sinisenä.

HUOMAA: Langattoman aktiivoinnin merkkivalo lopettaa vilkkumisen punaisena 20 sekunnin kuluttua. Paina laitteen langatonta aktiivointipainiketta samalla kun imurin langattoman aktiivoinnin merkkivalo vilkkuu. Jos langattoman aktiivoinnin merkkivalo ei vilku punaisena, paina langatonta aktiivointipainiketta lyhyesti ja pidä sitä painettuna alas.

Langattoman aktiivointitoiminnon vianetsintä

Tarkista laite ensin itse, ennen kuin viet sen korjattavaksi. Jos ongelmaan ei löydy ratkaisua käyttöoppaasta, älä kuitenkaan yritä purkaa työkalua osiin. Ota sen sijaan yhteyttä Makita-huoltoliikkeeseen. Käytä korjaamiseen aina alkuperäisiä Makita-varaosia.

Epänormaali tila	Todennäköinen syy (toimintahäiriö)	Korjaus
Langattoman aktiivoinnin merkkivalo ei pala/vilku.	Langatonta yksikköä ei ole asennettu laitteeseen. Langaton yksikkö on asennettu virheellisesti laitteeseen.	Asenna langaton yksikkö oikein.
	Langattoman yksikön liitäntä ja/tai ura on likainen.	Pyyhki langattoman yksikön liitäntä varovaisesti pölystä ja liasta ja puhdista ura.
	Laitteen langatonta aktiivointipainiketta ei ole painettu.	Paina laitteen langatonta aktiivointipainiketta lyhyesti.
	Pölynimurin valmiustilan kytkintä ei ole asetettu asentoon "AUTO".	Aseta pölynimurin valmiustilan kytkin asentoon "AUTO".
	Ei virransyöttöä	Syötä virtaa laitteelle ja pölynimurille.

Epänormaali tila	Todennäköinen syy (toimintahäiriö)	Korjaus
Laiterekisteröintiä/laiterekisteröinnin peruutusta ei voi viimeistellä oikein.	Langatonta yksikköä ei ole asennettu laitteeseen. Langaton yksikkö on asennettu virheellisesti laitteeseen.	Asenna langaton yksikkö oikein.
	Langattoman yksikön liitäntä ja/tai ura on likainen.	Pyyhi langattoman yksikön liitäntä varovaisesti pölystä ja liasta ja puhdista ura.
	Pölynimurin valmiustilan kytkintä ei ole asetettu asentoon "AUTO".	Aseta pölynimurin valmiustilan kytkin asentoon "AUTO".
	Ei virransyöttöä	Syötä virtaa laitteelle ja pölynimurille.
	Virheellinen toiminta	Paina langatonta aktiivointipainiketta lyhyesti ja suorita laiterekeröinti/peruutus uudelleen.
	Laite ja pölynimuri ovat kaukana toisistaan (lähetyalueen ulkopuolella).	Siirrä laite ja pölynimuri lähemmäksi toisiaan. Maksimilähetysetäisyys on noin 10 m, mutta se voi kuitenkin vaihdella olosuhteista riippuen.
	Ennen laitteen rekisteröimistä/peruutusta: - laitteen kytkin on päällä, tai; - pölynimurin virtakytkin on päällä.	Paina langatonta aktiivointipainiketta lyhyesti ja suorita laiterekeröinti/peruutus uudelleen.
	Laiterekisteröintiä laitteelle tai pölynimurille ei ole viimeistely.	Suorita laiterekeröinti sekä laitteelle että pölynimurille samanaikaisesti.
	Muiden laitteiden aiheuttama radiohäiriö voi muodostaa erittäin voimakkaita radioaaltoja.	Pidä laite ja pölynimuri kaukana laitteista, kuten Wi-Fi-laitteet ja mikroaaltouunit.
Pölynimuri ei toimi yhdessä laitteen kytkintöiminnon kanssa.	Langatonta yksikköä ei ole asennettu laitteeseen. Langaton yksikkö on asennettu virheellisesti laitteeseen.	Asenna langaton yksikkö oikein.
	Langattoman yksikön liitäntä ja/tai ura on likainen.	Pyyhi langattoman yksikön liitäntä varovaisesti pölystä ja liasta ja puhdista ura.
	Laitteen langatonta aktiivointipainiketta ei ole painettu.	Paina langatonta aktiivointipainiketta lyhyesti ja varmista, että langattoman aktiivoinnin merkkipälo vilkkuu sinisenä.
	Pölynimurin valmiustilan kytkintä ei ole asetettu asentoon "AUTO".	Aseta pölynimurin valmiustilan kytkin asentoon "AUTO".
	Yli 10 laitetta on rekisteröity pölynimurille.	Suorita laiterekeröinti uudelleen. Jos yli 10 laitetta on rekisteröity pölynimurille, aikaisemmin rekisteröity laite peruutetaan automaattisesti.
	Pölynimuri poistaa kaikki laiterekeröinnit.	Suorita laiterekeröinti uudelleen.
	Ei virransyöttöä	Syötä virtaa laitteelle ja pölynimurille.
	Laite ja pölynimuri ovat kaukana toisistaan (lähetyalueen ulkopuolella).	Siirrä laite ja pölynimuri lähemmäksi toisiaan. Maksimilähetysetäisyys on noin 10 m, mutta se voi kuitenkin vaihdella olosuhteista riippuen.
	Muiden laitteiden aiheuttama radiohäiriö voi muodostaa erittäin voimakkaita radioaaltoja.	Pidä laite ja pölynimuri kaukana laitteista, kuten Wi-Fi-laitteet ja mikroaaltouunit.
Pölynimuri pyörii, vaikka laite ei toimi.	Muut käyttäjät käyttävät pölynimurin langatonta aktiivointia heidän laitteillaan.	Katkaise muiden laitteiden langaton aktiivointipainike tai peruuta muiden laitteiden laiterekeröinti.

KUNNOSSAPITO

⚠HUOMIO: Varmista aina ennen tarkastusta tai huoltoa, että työkalu on sammutettu ja akku irrotettu.

⚠HUOMIO: Puhdista suojus ja varmista, ettei siihen ole kertynyt sahanpuruja, joka voisi estää suojustajärjestelmän toiminnan. Likainen suojustajärjestelmä ei ehkä toimi asianmukaisesti, jolloin seurauksena voi olla vakavia henkilövahinkoja. Tehokkain puhdistustapa on käyttää paineilmaa. **Jos puru poistetaan suojuksista paineilmaa käyttämällä, käytä tarkoitukseen soveltuvaa silmien- ja hengityssuojaimia.**

HUOMAUTUS: Älä koskaan käytä bensiiniä, ohenteita, alkoholia tai tms. aineita. Muutoin pinta voi halkeilla tai sen värit ja muoto voivat muuttua. Muutoin laitteeseen voi tulla värjäytyimiä, muodon vääristymiä tai halkeamia.

0°-sahauskulman ja 45°-sahauskulman tarkkuuden säätö

HUOMAUTUS: Älä kytke vipuja -1° viistekulmalle säädettäessä 0°-sahauskulman tarkkuutta.

HUOMAUTUS: Älä kytke vipua 48° viistekulmalle säädettäessä 45°-sahauskulman tarkkuutta.

Nämä säädöt ovat asetettu tehtaalla. Jos säätö ei ole oikea, voit säätää sitä seuraavien ohjeiden mukaan.

1. Löysää kiristysruuveja hieman työkalun edessä ja takana.
2. Säädä teräkulma.
► **Kuva45:** 1. Kolmioviivain

0°-sahauskulman tarkkuuden säätämiseksi, aseta alusta kohtisuoraan terään nähden käyttämällä kolmioviivainta, neliöviivainta jne. ja kiertämällä säätöpulttia.

► **Kuva46:** 1. 0°-sahauskulman säätöpultti

45°-sahauskulman tarkkuuden säätämiseksi, aseta alusta 45° kulmaan terään nähden käyttämällä kolmioviivainta ja kiertämällä säätöpulttia.

► **Kuva47:** 1. 45°-sahauskulman säätöpultti

3. Kiristä kiristysruuvit ja suorita testisaha.

Tuotteen TURVALLISUUDEN ja LUOTETTAVUUDEN takaamiseksi korjaukset, muut huoltotyöt ja säädöt on teetettävä Makitan valtuutetussa huoltopisteessä Makitan varaosia käyttäen.

LISÄVARUSTEET

⚠HUOMIO: Seuraavia lisävarusteita tai laitteita suositellaan käytettäväksi tässä ohjeessa kuvatun Makita-työkalun kanssa. Muiden lisävarusteiden tai laitteiden käyttö voi aiheuttaa henkilövahinkoja. Käytä lisävarusteita ja -laitteita vain niiden käyttötarkoituksen mukaisesti.

Jos tarvitset apua tai yksityiskohtaisempia tietoja seuraavista lisävarusteista, ota yhteys paikalliseen Makitan huoltoon.

- Pyörösahanterä
- Pohja-alusta
- Kuusioavain
- Ohjainkisko
- Viiste opas
- Puristin
- Levy
- Kumilevy
- Asetuslevy
- Langaton yksikkö (mallille DSP601)
- Aito Makitan akku ja laturi

HUOMAA: Jotkin luettelossa mainitut varusteet voivat sisältyä työkalun toimitukseen vakiovarusteina. Ne voivat vaihdella maittain.

SPECIFIKATIONER

Model:		DSP600	DSP601
Klangediameter		165 mm	
Maksimal skæredybde	ved 0°	56 mm	
	ved 45° skrånit	40 mm	
	ved 48° skrånit	38 mm	
Hastighed uden belastning		2.500 - 6.300 min ⁻¹	
Længde i alt		346 mm	
Mærkespænding		D.C. 36 V	
Nettovægt		4,4 - 5,1 kg	

- På grund af vores kontinuerlige forsknings- og udviklingsprogrammer kan hosstående specifikationer blive ændret uden varsel.
- Specifikationer og akku kan variere fra land til land.
- Vægten kan være anderledes afhængigt af tilbehøret, inklusive akkuen. Den letteste og tungeste kombination i henhold til EPTA-procedure 01/2014 er vist i tabellen.

Anvendelig akku og oplader

Akku	BL1815N / BL1820B / BL1830B / BL1840B / BL1850B / BL1860B
Oplader	DC18RC / DC18RD / DC18RE / DC18SD / DC18SE / DC18SF / DC18SH / DC18WC

- Nogle af de akkuer og opladere, der er angivet ovenfor, er muligvis ikke tilgængelige, afhængigt af hvilket område du bor i.

⚠ ADVARSEL: Brug kun de akkuer og opladere, der er angivet ovenfor. Brug af andre akkuer og opladere kan medføre personskaade og/eller brand.

Tilsigtet anvendelse

Denne maskine er beregnet til at foretage indstik. Denne maskine er også beregnet til at save på langs og på tværs af årener i træ. Hvis maskinen er udstyret med den rette rundsavsklinge, kan maskinen bruges til at save i aluminium, plastik, mineralholdig plastik og lignende materialer.

Støj

Det typiske A-vægtede støjniveau bestemmt i overensstemmelse med EN62841-2-5:

Model DSP600

Lydtryksniveau (L_{pA}): 95 dB (A)
 Lydeffektniveau (L_{WA}): 103 dB (A)
 Usikkerhed (K): 3 dB (A)

Model DSP601

Lydtryksniveau (L_{pA}): 95 dB (A)
 Lydeffektniveau (L_{WA}): 103 dB (A)
 Usikkerhed (K): 3 dB (A)

BEMÆRK: De(n) angivne støjemissionsværdi(er) er målt i overensstemmelse med en standardtestmetode og kan anvendes til at sammenligne en maskine med en anden.

BEMÆRK: De(n) angivne støjemissionsværdi(er) kan også anvendes i en præliminær eksponeringsvurdering.

⚠ ADVARSEL: Bær høreværn.

⚠ ADVARSEL: Støjemissionen under den faktiske anvendelse af maskinen kan være forskellig fra de(n) angivne værdi(er), afhængigt af den måde hvorpå maskinen anvendes, især den type arbejdsemne der behandles.

⚠ ADVARSEL: Sørg for at identificere de sikkerhedsforskrifter til beskyttelse af operatøren, som er baseret på en vurdering af eksponering under de faktiske brugsforhold (med hensyntagen til alle dele i brugscyklussen, f.eks. de gange, hvor maskinen er slukket, og når den kører i tomgang i tilgift til afbrydertiden).

Vibration

Vibrationens totalværdi (tre-aksial vektorsum) bestemmt i overensstemmelse med EN62841-2-5:

Model DSP600

Arbejdstilstand: skæring i træ
 Vibrationsemission ($a_{h,W}$): 2,5 m/s² eller mindre
 Usikkerhed (K): 1,5 m/s²
 Arbejdstilstand: skæring i metal
 Vibrationsemission ($a_{h,W}$): 2,5 m/s² eller mindre
 Usikkerhed (K): 1,5 m/s²

Model DSP601

Arbejdstilstand: skæring i træ
 Vibrationsemission ($a_{h,W}$): 2,5 m/s² eller mindre

Usikkerhed (K): $1,5 \text{ m/s}^2$
Arbejdstilstand: skæring i metal
Vibrationsemission ($a_{h,m}$): $2,5 \text{ m/s}^2$ eller mindre
Usikkerhed (K): $1,5 \text{ m/s}^2$

BEMÆRK: De(n) angivne totalværdi(er) for vibration er målt i overensstemmelse med en standardtestmetode og kan anvendes til at sammenligne en maskine med en anden.

BEMÆRK: De(n) angivne totalværdi(er) for vibration kan også anvendes i en præliminær eksponeringsvurdering.

⚠ ADVARSEL: Vibrationsemissionen under den faktiske anvendelse af maskinen kan være forskellig fra de(n) angivne værdi(er), afhængigt af den måde hvorpå maskinen anvendes, især den type arbejdsemne der behandles.

⚠ ADVARSEL: Sørg for at identificere de sikkerhedsforskrifter til beskyttelse af operatøren, som er baseret på en vurdering af eksponering under de faktiske brugsforhold (med hensyntagen til alle dele i brugscyklussen, f.eks. de gange, hvor maskinen er slukket, og når den kører i tomgang i tilgift til afbrydertiden).

Overensstemmelseserklæringer

Kun for lande i Europa

Overensstemmelseserklæringerne er inkluderet i Bilag A i denne brugsanvisning.

SIKKERHEDSADVARSLER

Almindelige sikkerhedsregler for el-værktøj

⚠ ADVARSEL Læs alle sikkerhedsadvarsler, instruktioner, illustrationer og specifikationer, der følger med denne maskine. Hvis du ikke følger alle nedenstående instruktioner, kan det medføre elektrisk stød, brand og/eller alvorlig personskade.

Gem alle advarsler og instruktioner til fremtidig reference.

Ordet "el-værktøj" i advarslerne henviser til det netforsyede (netledning) el-værktøj eller batteriforsyede (akku) el-værktøj.

Sikkerhedsadvarsler for ledningsfri rundsav

Fremgangsmåder for skæring

- ⚠ FARE:** Hold hænderne på god afstand af skæreområdet og klingens. Hold den anden hånd på hjælpehåndtaget eller motorhuset. Hvis De holder saven med begge hænder, kan klingens ikke komme til at skære i dem.
- Ræk ikke ned under arbejdsemnet.**

Beskyttelsesskærmen kan ikke beskytte Dem mod klingens ned under arbejdsemnet.

- Justér skæredybden efter tykkelsen af arbejdsemnet.** Mindre end en hel tand i klingetænderne bør være synlig under arbejdsemnet.
 - Hold aldrig arbejdsemnet i hænderne eller hen over benet, mens der skæres. Fastgør arbejdsemnet til en stabil platform.** Det er vigtigt at understøtte arbejdsemnet korrekt for at minimere risikoen for udsættelse af kroppen, binding af klingens eller tab af kontrollen.
- Fig.1
- Hold maskinen i dens isolerede gribeblader, når du udfører et stykke arbejde, hvor skæreværktøjet kan komme i berøring med skjulte ledninger.** Kontakt med en strømførende ledning vil bevirke, at blottede metaldele på maskinen også bliver strømførende, hvorved operatøren kan få stød.
 - Ved kløvning skal der altid anvendes et parallelanslag eller en lige styreskinne.** Dette vil forbedre nøjagtigheden af snittet og mindske risikoen for, at klingens binder.
 - Brug altid klingens akselhuller af den korrekte størrelse og form (kantede eller runde).** Klinger, der ikke svarer til savens monteringsdele, vil rotere skævt, så du mister kontrollen.
 - Anvend aldrig beskadigede eller forkerte spændeskiver og bolte til klingens.** Klingens spændeskiver og bolte er specielt fremstillede til Deres sav og til optimal ydelse og sikker anvendelse.

Årsager til tilbageslag og relaterede advarsler

- Tilbageslag er en pludselig reaktion på en fastklemt, fastsiddende eller forkert justeret savklinge, som kan medføre, at en ukontrolleret sav løftes opad og ud af arbejdsemnet i retning mod operatøren.
- Når klingens kommer i klemme eller sidder fast, fordi savsnittet lukkes sammen, stopper klingens, og motorreaktionen skubber apparatet hurtigt tilbage mod operatøren.
- Hvis klingens bliver bøjet eller fejlljusteret i snittet, kan tænderne på bagkanten af klingens grave sig ind i træets øverste overflade, hvorved klingens kan smutte ud af savsnittet og springe tilbage i retning mod operatøren.

Tilbageslag skyldes forkert anvendelse af savens og/eller forkert fremgangsmåde for anvendelse eller forkerte forhold og kan undgås ved, at der træffes de rigtige forholdsregler som vist herunder.

- Oprethold et fast greb med begge hænder på savens, og hold armene således, at tilbageslagskraften modvirkes. Stil Dem på siden af klingens, men ikke på linje med den.** Tilbageslag kan bevirke, at savens springer bagud, men tilbageslagskraften kan kontrolleres af operatøren, hvis denne træffer de fornødne forholdsregler.
- Hvis klingens binder, eller hvis skæringen af en eller anden årsag afbrydes, skal De slippe afbryderknappen og holde savens stille i materialet, indtil klingens er standset helt. Forsøg aldrig at fjerne savens fra arbejdsemnet eller at trække savens bagud, mens klingens er i bevægelse, da dette kan medføre tilbageslag.**

Undersøg situationen, og træf afhjælpningsforanstaltninger for at eliminere årsagen til, at klingen binder.

3. **Når savnen startes igen i arbejdsområdet, skal du centrere savklingen i savsnittet, så savtænderne ikke sidder fast i emnet.** Hvis savklingen binder, kan den bevæge sig opad eller slå tilbage fra arbejdsområdet, når savnen startes igen.
4. **Anvend store støtteplader til at minimere risikoen for fastklemning af klingens og tilbageslag.** Store plader har tendens til at synke under deres egen vægt. Der skal anbringes støtter under pladerne i begge sider, i nærheden af skærelinjen og nær kanten af pladen.

► Fig.2

► Fig.3

5. **Anvend ikke sløve eller beskadigede klinger.** Uskarpe eller forkert monterede klinger frembringer et snævert savsnit, som medfører kraftig friktion, binding af klingens og tilbageslag.
6. **Låsegrebene til klingedybde og skrånitindstilling skal være stramme og sikre, inden skæringen påbegyndes.** Hvis klingeindstillingen ændrer sig under skæringen, kan der opstå binding og tilbageslag.
7. **Vær særlig forsigtig, når der saves ind i eksisterende vægge eller andre skjulte områder.** Savklingen, som stikker frem, kan komme til at skære i genstande, der kan medføre tilbageslag.
8. **Hold ALTID fast i maskinen med begge hænder. Placer ALDRIG Deres hånd, ben eller nogen del af kroppen under maskinens grundplade eller bag ved savnen, især når De foretager krydssnit.** Hvis der opstår tilbageslag, kan savnen nemt springe bagud over Deres hånd, hvorved der kan ske alvorlig personskade.

► Fig.4

9. **Pres aldrig savnen. Tryk savnen fremad med en hastighed, så klingens skæring, uden at hastigheden sænkes.** Hvis De presser savnen, kan der opstå usædvanlige skæringer, tab af præcision og muligt tilbageslag.

Beskyttelsesskærmens funktion

1. **Kontroller, at beskyttelsesskærmen lukker korrekt inden hver brug. Anvend ikke savnen, hvis beskyttelsesskærmen ikke bevæger sig frit og omslutter klingens med det samme. Du må aldrig fastspænde eller fastbinde beskyttelsesskærmen, så klingens er blottet.** Hvis savnen tabes ved et uheld, kan beskyttelsesskærmen blive bøjet. Kontroller, at beskyttelsesskærmen bevæger sig frit og ikke kommer i berøring med klingens eller andre dele i alle skærevinkler og -dybder.
2. **Kontroller funktionen og tilstanden af retur fjederen på beskyttelsesskærmen. Hvis beskyttelsesskærmen og fjederen ikke fungerer korrekt, skal de repareres før brug.** Beskyttelsesskærmen kan fungere trægt på grund af beskadigede dele, fastsiddende gummi eller ophobning af snavs.
3. **Kontroller, at savens grundplade ikke flytter sig, når der udføres et "indstik".** Hvis klingens flytter sig sidelæns, vil det medføre binding og

sandsynligvis tilbageslag.

4. **Se altid efter, at beskyttelsesskærmen dækker klingens, inden savnen anbringes på bæk eller gulv.** En ubeskyttet roterende klinge vil bevæge sig, når savnen bevæger sig bagud og skærer i alt, hvad der er i dens bane. Vær opmærksom på den tid, det tager for klingens at stoppe, efter at afbryderen er sluppet.

Supplerende sikkerhedsforskrifter

1. **Vær ekstra forsigtig ved skæring i fugtigt træ, trykbehandlet træ eller træ, der indeholder knaster.** Sørg for, at maskinen bevæger sig jævnt fremad, uden at klinge-hastigheden mindskes, for at undgå overophedning af klingespidsen og, hvis der skæres i plastik, for at undgå, at plastikken smelter.
2. **Forsøg ikke at fjerne afskåret materiale, mens klingens roterer. Vent, indtil klingens er standset, inden De fjerner afskåret materiale.** Klingens fortsætter med at rotere, efter at der er slukket for maskinen.
3. **Undgå at skære i søm. Se efter, om der er søm i tømmeret, og fjern alle søm, inden skæringen påbegyndes.**
4. **Anbring den bredeste del af savgrundpladen på den del af arbejdsområdet, som er solidt understøttet, ikke på den del, som vil falde af, når skæringen er fuldført. Hvis arbejdsområdet er kort eller lille, skal det spændes fast. FORSØG IKKE AT HOLDE KORTE ARBEJDSOMRÅDER FAST MED HÅNDEN!**

► Fig.5

5. **Inden De lægger maskinen fra Dem efter at have fuldført en skæring, skal De sikre Dem, at beskyttelsesskærmen er lukket, og at klingens er standset fuldstændigt.**
6. **Forsøg aldrig at save med rundsavens holdt på hovedet i en skruetvinge. Dette er yderst farligt og kan føre til alvorlige ulykker.**

► Fig.6

7. **Noget materiale indeholder kemikalier, som kan være giftige. Vær påpasselig med ikke at indånde støv, og undgå hudkontakt. Følg fabrikantens sikkerhedsdata.**
8. **Stop ikke klingerne ved hjælp af lateralt tryk på savklingen.**
9. **Anvend ikke slibesliver.**
10. **Anvend kun savklinger med den diameter, der er markeret på maskinen eller specificeret i manualen.** Brug af en klinge med en forkert størrelse kan hindre korrekt afskærmning af klingens eller beskyttelsesskærmens funktion, hvilket kan medføre alvorlig personskade.
11. **Hold altid klingens skarp og ren.** Gummi og træbeg, som er størknet på klingens, gør savnen langsommere og øger risikoen for tilbageslag. Hold altid klingens ren ved først at tage den af maskinen og derefter rengøre den med en gummi- og begfjerner, varmt vand eller petroleum. Anvend aldrig benzin.
12. **Bær altid støvmaske og høreværn, når De anvender maskinen.**
13. **Brug altid en savklinge, der er beregnet til at skære i det materiale, du skal skære i.**

14. **Brug kun savklinger, der er mærket med en hastighed svarende til eller større end den hastighed, der er angivet på maskinen.**
15. **(Kun for europæiske lande)**
Brug altid en klinge, der er i overensstemmelse med EN847-1, hvis den er beregnet til træ og lignende materialer.

GEM DISSE FORSKRIFTER.

⚠ ADVARSEL: LAD IKKE bekvemmelighed eller kendskab til produktet (opnået gennem gentagen brug) forhindre, at sikkerhedsforskrifterne for produktet nøje overholdes. MISBRUG eller for sømmelse af at følge de i denne brugsvejledning givne sikkerhedsforskrifter kan medføre alvorlig personskade.

Vigtige sikkerhedsinstruktioner for akkuen

1. Læs alle instruktioner og advarselmærkater på (1) akku-opladeren, (2) akkuen og (3) produktet, som anvender akku.
2. Adskil eller ændr ikke akkuen. Det kan muligvis resultere i en brand, overdreven varme eller eksplosion.
3. Hold straks op med anvendelsen, hvis brugstiden er blevet stærkt afkortet. Fortsat anvendelse kan resultere i risiko for overophedning, forbrændinger og endog eksplosion.
4. Hvis De har fået elektrolytvæske i øjnene, skal De straks skylle den ud med rent vand og derefter øjeblikkeligt søge lægehjælp. I modsat fald kan De miste synet.
5. Vær påpasselig med ikke at komme til at kortslutte akkuen:
 - (1) Rør ikke ved terminalerne med noget ledende materiale.
 - (2) Undgå at opbevare akkuen i en beholder sammen med andre genstande af metal, for eksempel søm, mønter og lignende.
 - (3) Udsæt ikke akkuen for vand eller regn. Kortslutning af akkuen kan forårsage en kraftig øgning af strømmen, overophedning, mulige forbrændinger og endog værktøjstop.
6. Opbevar og brug ikke maskinen og akkuen på steder, hvor temperaturen muligvis kan nå eller overstige 50 °C.
7. Lad være med at brænde akkuen, selv ikke i tilfælde, hvor den har lidt alvorlig skade eller er fuldstændig udtjent. Akkuen kan eksplodere, hvis man forsøger at brænde den.
8. Slå ikke søm i, skær ikke i, knus, kast, tab ikke akkuen og stød ikke akkuen mod en hård genstand. Sådan adfærd kan muligvis resultere i en brand, overdreven varme eller eksplosion.
9. Anvend ikke en beskadiget akku.
10. De indbyggede litium-ion-batterier er underlagt lovkrav vedrørende farligt gods. Ved kommerciel transport, f.eks. af tredjeparts transportselskaber, skal særlige krav til forpakning og mærkning overholdes. Ved forberedelse af udstyret til forsendelse skal du kontakte en ekspert i farligt gods. Overhold også

eventuel mere detaljeret national lovgivning. Tape eller tildæk åbne kontakter, og pak batteriet på en måde, så det ikke kan flytte sig rundt i pakningen.

11. **Når akkuen bortskaffes, skal du fjerne den fra maskinen og bortskaffe den på et sikkert sted. Følg de lokale love vedrørende bortskaffelsen af batterier.**
12. **Brug kun batterierne med de produkter, som Makita specificerer.** Hvis batterierne installeres i ikke-kompatible produkter, kan det medføre brand, kraftig varme, eksplosion eller udsivning af elektrolyt.
13. **Hvis maskinen ikke skal bruges i længere tid ad gangen, skal du fjerne batteriet fra maskinen.**
14. **Akkuen kan muligvis under og efter brug være varm, hvilket kan forårsage forbrændinger eller lavtemperaturforbrændinger. Vær påpasselig med håndtering af varme akkuer.**
15. **Rør ikke terminalen på maskinen straks efter brug, da den bliver varm nok til at forårsage forbrændinger.**
16. **Sørg for, at spåner, støv eller jord ikke sætter sig fast i akkuens terminaler, huller og riller.** Det kan forårsage opvarmning, antændelse, sprængning og funktionsfejl i maskinen eller akkuen, hvilket kan medføre forbrændinger eller personskade.
17. **Medmindre maskinen understøtter brugen i nærheden af elektriske højspændingsledninger, skal du ikke anvende akkuen i nærheden af elektriske højspændingsledninger.** Det kan muligvis medføre funktionsfejl på eller nedbrud af maskinen eller akkuen.
18. **Opbevar batteriet utilgængeligt for børn.**

GEM DENNE BRUGSANVISNING.

⚠ FORSIGTIG: Brug kun originale batterier fra Makita. Brug af uoriginale Makita-batterier, eller batterier som er blevet ændret, kan muligvis medføre brud på batteriet, hvilket kan forårsage brand, personskade eller beskadigelse. Det ugyldiggør også Makita-garantien for Makita-maskinen og opladeren.

Tips til opnåelse af maksimal akku-levetid

1. **Oplad akkuen, inden den er helt afladet. Stop altid værktøjet, og oplad akkuen, hvis De bemærker, at værktøjeffekten er aftagende.**
2. **Genoplad aldrig en fuldt opladet akku. Overopladning vil afkorte akkuens levetid.**
3. **Oplad akkuen ved stuetemperatur ved 10 °C - 40 °C. Lad altid en varm akku få tid til at køle af, inden den oplades.**
4. **Når du ikke anvender akkuen, skal du fjerne den fra maskinen eller opladeren.**
5. **Oplad akkuen, hvis De ikke skal bruge den i længere tid (mere end seks måneder).**

Vigtige sikkerhedsinstruktioner for trådløs enhed

1. Undlad at adskille eller ændre den trådløse enhed.
2. Opbevar den trådløse enhed utilgængeligt for små børn. Søg øjeblikkeligt læge, hvis den sluges ved et uheld.
3. Brug kun den trådløse enhed sammen med maskiner fra Makita.
4. Udsæt ikke den trådløse enhed for regn eller våde omgivelser.
5. Brug ikke den trådløse enhed på steder, hvor temperaturen overskrider 50 °C.
6. Brug ikke den trådløse enhed i nærheden af medicinske instrumenter som f.eks. pacemakere.
7. Brug ikke den trådløse enhed i nærheden af automatiske enheder. Hvis den bruges, kan automatiske enheder udvikle fejlfunktion eller fejl.
8. Undlad at betjene den trådløse enhed på steder med høje temperaturer eller steder, hvor der kan genereres statisk elektricitet eller elektrisk støj.
9. Den trådløse enhed kan frembringe elektromagnetiske felter (EMF), men de er ikke skadelige for brugeren.
10. Den trådløse enhed er et præcisionsinstrument. Undgå at tabe eller slå på den trådløse enhed.
11. Undgå at berøre terminalen på den trådløse enhed med de bare hænder eller metalliske materialer.
12. Tag altid batteriet ud af produktet, når den trådløse enhed monteres på det.
13. Når låget på åbningen åbnes, skal du undgå steder, hvor der kan komme støv eller vand ind i åbningen. Hold altid indgangen til åbningen ren.
14. Indsæt altid den trådløse enhed i den rigtige retning.
15. Undgå at trykke for hårdt på den trådløse aktiveringsknap på den trådløse enhed og/eller at trykke på knappen med en genstand med en skarp kant.
16. Luk altid låget på åbningen under brug.
17. Undlad at fjerne den trådløse enhed fra åbningen, når der er sluttet strøm til maskinen. Hvis du gør dette, kan det medføre funktionsfejl i den trådløse enhed.
18. Undlad at fjerne etiketten på den trådløse enhed.
19. Undlad at sætte nogen etiket på den trådløse enhed.
20. Lad ikke den trådløse enhed ligge på steder, hvor der kan genereres statisk elektricitet eller elektrisk støj.
21. Lad ikke den trådløse enhed ligge på steder, der er udsat for høj varme, for eksempel en bil, der står i solen.
22. Lad ikke den trådløse enhed ligge på et sted med støv eller pulver eller på et sted, hvor der kan udvikles ætsende gas.
23. En pludselig temperaturændring kan forårsage dug på den trådløse enhed. Brug ikke den trådløse enhed, før duggen er tørret helt bort.
24. Ved rengøring af den trådløse enhed skal den aftørres forsigtigt med en tør, blød klud. Brug ikke rensbenzin, fortynder, ledende fedtstof eller lignende.
25. Ved opbevaring af den trådløse enhed skal den opbevares i den medfølgende æske eller i en beholder, der er fri for statisk elektricitet.
26. Indsæt ikke andre enheder end den trådløse enhed fra Makita i åbningen på maskinen.
27. Undlad at bruge maskinen, hvis låget til åbningen er beskadiget. Vand, støv og snavs, der kommer ind i åbningen, kan forårsage fejlfunktion.
28. Undlad at trække og/eller vride låget til åbningen mere end nødvendigt. Sæt låget på igen, hvis det falder af maskinen.
29. Udsift låget til åbningen, hvis det bliver væk eller ødelægges.

GEM DISSE FORSKRIFTER.

FUNKTIONSBESKRIVELSE

⚠FORSIGTIG: Sørg altid for at maskinen er slukket, og at akkuen er taget ud, før der udføres justering eller kontrol af funktioner på maskinen.

Isætning eller fjernelse af akkuen

⚠FORSIGTIG: Sluk altid for værktøjet, før De monterer eller fjerner akkuen.

⚠FORSIGTIG: Hold værktøjet og akkuen fast ved montering eller fjernelse af akkuen. Hvis De ikke holder værktøjet og akkuen fast, kan de glide ud af hænderne på Dem og forårsage beskadigelse af værktøjet og akkuen eller personskaade.

For at montere akkuen skal du justere tungen på akkuen med rillen i huset og skubbe den på plads. Indsæt den hele vejen, indtil den låses på plads med et lille klik. Hvis du kan se den røde indikator, som vist i figuren, er den ikke helt låst.

Akkuen fjernes ved, at De trækker den ud af værktøjet, idet De skyder knappen på forsiden af akkuen i stilling.

► Fig.7: 1. Rød indikator 2. Knap 3. Akku

⚠FORSIGTIG: Monter altid akkuen helt, indtil den røde indikator ikke længere er synlig. Hvis dette ikke gøres, kan den falde ud af værktøjet ved et uheld, hvorved De selv eller personer i nærheden kan komme til skade.

⚠FORSIGTIG: Brug ikke magt ved montering af akkuen. Hvis akkuen ikke glider på plads uden problemer, betyder det, at den ikke sættes i på korrekt vis.

BEMÆRK: Maskinen fungerer ikke med kun én akku.

Beskyttelsessystem til værktøj/batteri

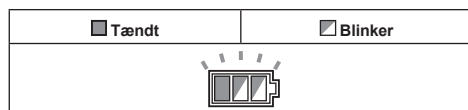
Værktøjet er forsynet med et beskyttelsessystem til værktøj/batteri. Dette system afbryder automatisk strømmen til motoren for at forlænge levetiden for værktøjet og batteriet. Værktøjet stopper automatisk under driften, hvis det eller batteriet kommer i en af følgende situationer. I nogle tilfælde lyser indikatorerne.

Overbelastningsbeskyttelse

Hvis maskinen bruges på en måde, der får den til at trække en unormalt høj strøm, stopper maskinen automatisk. I denne situation skal du slukke for maskinen og stoppe den anvendelse, som bevirkede, at maskinen blev overbelastet. Tænd derefter for maskinen for at starte igen.

Beskyttelse mod overophedning

Hvis maskinen er overophedet, stopper maskinen automatisk, og akku-indikatoren blinker i cirka 60 sekunder. Lad i så fald maskinen køle ned, før der tændes for maskinen igen.



Beskyttelse mod afladning

Når batteriladningen bliver for lav, stopper værktøjet automatisk. Hvis produktet ikke fungerer, selvom kontakterne betjenes, skal De tage batterierne ud af værktøjet og lade batterierne op.

Indikation af den resterende batteriladning

► **Fig.8:** 1. Batteriindikator (for det øverste batteri)
2. Kontrolknop 3. Batteriindikator (for det nederste batteri)

Tryk på kontrolknappen for at få vist de resterende batteriladning. Batteriindikatorerne svarer til hvert enkelt batteri.

Status på batteriindikator			Resterende batteriladning
Tændt	Slukket	Blinker	
			50% til 100%
			20% til 50%
			0% til 20%
			Genopladd batteriet

Indikation af den resterende batteriladning

Kun til akkuer med indikatoren

Tryk på kontrolknappen på akkuen for at få vist den resterende batteriladning. Indikatorlampen lyser i nogle sekunder.

► **Fig.9:** 1. Indikatorlamper 2. Kontrolknop

Indikatorlamper			Resterende ladning
Tændt	Slukket	Blinker	
			75% til 100%
			50% til 75%
			25% til 50%
			0% til 25%
			Genopladd batteriet.
			Der er muligvis fejl i batteriet.

BEMÆRK: Afhængigt af brugsforholdene og den omgivende temperatur kan indikationen afvige en smule fra den faktiske ladning.

BEMÆRK: Den første indikatorlampe (længst mod venstre) vil blinke, når batteribeskyttelsessystemet aktiveres.

Funktion til automatisk hastighedsændring

BEMÆRK: Funktionen til automatisk hastighedsændring er kun tilgængelig, når hastighedsvælgeren står på 5.

Denne maskine har en "høj hastighedstilstand" og en "høj momenttilstand".

Maskinen skifter funktionstilstand afhængigt af arbejdsbelastningen. Hvis arbejdsbelastningen er lav, kører maskinen i "høj hastighedstilstand" for hurtigere skæringsfunktion. Hvis arbejdsbelastningen er høj, kører maskinen i "høj momenttilstand" for kraftig skæringsfunktion.

► **Fig.10:** 1. Tilstandsindikator

Tilstandsindikatoren lyser grønt, når maskinen kører i "høj momenttilstand".

Hvis maskinen anvendes ved for stor belastning, blinker tilstandsindikatoren grønt. Tilstandsindikatoren holder op med at blinke og lyser derefter eller slukkes, hvis du reducerer belastningen på maskinen.

Status for tilstandsindikator			Funktionstilstand
<input checked="" type="radio"/> Tændt	<input type="radio"/> Slukket	<input type="radio"/> Blinker	
			Høj hastighedstilstand
			Høj momenttilstand
			Advarsel om overbelastning

Justering af skæredybde

⚠FORSIGTIG: Spænd altid spændeskruen forsvarligt til efter justering af skæredybden.

Løsn spændeskruen på dybdeguiden, og flyt stopperen for nedre klingegrænse til den ønskede dybde på skalapladen. Spænd spændeskruen forsvarligt til ved den ønskede skæredybde.

Renere og sikrere snit kan opnås, hvis man indstiller skæredybden således, at ikke flere end en enkelt savtand stikker ud under arbejdsstykket. Anvendelse af en rigtig skæredybde bidrager til at reducere risikoen for farlige TILBAGESLAG, som kan medføre personskaade.

- **Fig.11:** 1. Stopper for nedre klingegrænse
2. Spændeskruer

Hurtigstopknap til 2 til 3 mm snitdybde ved brug af styreskinne (ekstraudstyr)

Denne maskine har en hurtigstopknap til 2 til 3 mm snitdybde på gearhuset ved siden af baghåndtaget, når styreskinnen anvendes. Den bruges til at undgå splinter på arbejdsstykket i snittet. Foretag et arbejdsstap af det 2 til 3 mm første snit, og foretag derefter endnu et arbejdsstap af det normale snit.

- **Fig.12:** 1. Hurtigstopknap

For at opnå snitdybden på 2 til 3 mm skal du trykke hurtigstopknappen mod savklingen. Dette er praktisk for at undgå splinter på arbejdsstykket.

For at frigøre snitdybden fra denne position for at opnå en fri snitdybde skal du blot trække knappen tilbage.

Skråsnit

Løsn spændeskruerne. Indstil til den ønskede vinkel ved at udføre den rigtige hældning, og stram derefter spændeskruerne godt til.

- **Fig.13:** 1. Spændeskruer 2. Skalaplade til skråsnit

- **Fig.14:** 1. Undergrundplade (Ekstraudstyr)
2. Spændeskruer

Positiv stopper

Den positive stopper er nyttig til hurtig indstilling af den ønskede vinkel. Drej den positive stopper, så pilen på den peger på 22,5°. Løsn spændeskruerne foran og bagpå. Vip derefter klingens, indtil den stopper, og fastgør grundpladen ved hjælp af spændeskruerne.

- **Fig.15:** 1. Positiv stopper 2. Spændeskruer

48° skråsnit

Hvis du vil foretage et 48° skråsnit, skal du løse spændeskruerne og vippe håndtaget i pilens retning på figuren. Indstil derefter skråsnitsvinklen til 48°, og stram spændeskruerne.

- **Fig.16:** 1. Håndtag

-1° skråsnit

Hvis du vil foretage et -1° skråsnit, skal du løse spændeskruerne og trykke håndtagene i pilens retning på figuren. Indstil derefter skråsnitsvinklen til -1°, og stram spændeskruerne.

- **Fig.17:** 1. Håndtag

Indstilling

- **Fig.18:** 1. Grundplade

Skærelinjen varierer afhængigt af skæringsvinklen, og om du bruger styreskinnen (ekstraudstyr).

Ved brug af maskinen uden styreskinne

Ved lige snit rettes A-positionen på forkannten af grundpladen ind efter skærelinjen. Ved 45° skråsnit rettes B-positionen ind efter den.

Ved brug af maskinen med styreskinne

Ved både lige snit og 45° skråsnit rettes A-positionen på forkannten af grundpladen altid ind efter skærelinjen.

Afbryderbetjening

⚠ADVARSEL: Inden akkuen sættes i maskinen, bør De altid kontrollere, at afbryderknappen fungerer korrekt, og returnerer til "OFF"-positionen, når den slippes.

⚠ADVARSEL: Omgå ALDRIG lås fra-knappens funktion ved at tape den fast eller på andre måder. En afbryder med en blokeret lås fra-knap kan medføre utilsigtet funktion og alvorlig personskaade.

⚠ADVARSEL: Brug ALDRIG maskinen, hvis den kører, når du blot trykker på afbryderknappen uden at trykke på lås fra-knappen. En afbryder, der skal repareres, kan medføre utilsigtet funktion og alvorlig personskaade. Returner maskinen til et Makita-servicecenter for nødvendige reparationer INDEN yderligere brug.

For at forhindre utilsigtet indtrykning af afbryderknappen er maskinen udstyret med en lås fra-knap. For at starte maskinen skal man trykke lås fra-knappen ind og trykke på afbryderknappen. Slip afbryderknappen for at stoppe.

- **Fig.19:** 1. Afbryderknap 2. Lås fra-knap

BEMÆRKNING: Tryk ikke hårdt på afbryderkontakten uden først at trykke aflåseknappen ind. Dette kan ødelægge afbryderkontakten.

Hastighedsvælger

Maskinens hastighed kan ændres ved at dreje på hastighedsvælgeren. Klingens rotationshastighed øges,

når du øger tallet på hastighedsvælgeren.

► **Fig.20:** 1. Hastighedsvælger

Se i tabellen for at vælge den rigtige hastighed til det arbejdsstykke, der skal skæres i. Den rigtige hastighed kan dog afhænge af arbejdsstykkets type eller tykkelse. Med en højere hastighed kan du som regel skære hurtigere i arbejdsstykker, men klingens levetid forringes.

Tal	Klingens rotationshastighed pr. minut (min ⁻¹)
1	2.500 min ⁻¹
2	2.900 min ⁻¹
3	3.900 min ⁻¹
4	4.900 min ⁻¹
5	6.300 min ⁻¹

⚠FORSIGTIG: Hastighedsvælgeren er ikke beregnet til at bruge savklinger, som er beregnet til lav hastighed, men til at opnå en hastighed, der passer til arbejdsstykkets materiale. Brug kun savklinger, der er beregnet til mindst den maksimale hastighed uden belastning, som fremgår af SPECIFIKATIONER.

BEMÆRKNING: Hastighedsvælgeren kan kun drejes så langt som til 5 og tilbage til 1. Undlad at tvinge den forbi 5 eller 1, da hastighedsvælgerfunktionen muligvis ellers ikke længere vil fungere.

Elektronisk funktion

Maskiner, der er udstyret med elektronisk funktion, er nemme at betjene på grund af følgende funktioner.

Overbelastningsbeskyttelse

Når maskinen er overbelastet, og strømstyrken er over et vist niveau, stopper maskinen automatisk for at beskytte motoren.

Konstant hastighedskontrol

Elektronisk hastighedskontrol til at sikre konstant hastighed. Det er muligt at få en pæn finish, fordi omdrejningshastigheden holdes konstant selv under belastning.

Funktion til blød start

Blød start, fordi ryk ved start dæmpes.

SAMLING

⚠FORSIGTIG: Sørg altid for at maskinen er slukket, og at akkuen er taget ud, før der udføres noget arbejde på maskinen.

Opbevaring af unbrakonøgler

Når unbrakonøglen ikke anvendes, skal den opbevares som vist på illustrationen, så den ikke bortkommer.

► **Fig.21:** 1. Unbrakonøgle

Afmontering eller montering af rundsavsklinge

⚠FORSIGTIG: Sørg for at montere rundsavsklingen med dens tænder vendende opad på den forreste del af maskinen.

⚠FORSIGTIG: Anvend kun Makita-nøglen til montering og afmontering af rundsavsklingen.

Sådan fjernes rundsavsklingen:

1. Tryk lås fra-knappen ned, og sænk håndtaget en smule. Drej låsehåndtaget, og sænk håndtaget, indtil låsestiften passer i hullet.

► **Fig.22:** 1. Lås fra-knap 2. Låsehåndtag 3. Låsestift 4. Hul til låsestift

2. Tryk skaftlåsen helt ind, så klingen ikke kan dreje rundt, og brug sekskantnøglen til at løsne sekskantbolten.

► **Fig.23:** 1. Skaftlås 2. Sekskantnøgle 3. Stram 4. Løsning

3. Fjern sekskantbolten, den ydre flange og rundsavsklingen.

► **Fig.24:** 1. Sekskantbolt 2. Ydre flange 3. Indre flange 4. Rundsavsklinge

⚠ADVARSEL: Hvis den indre flange fjernes, skal du sørge for at montere den på spindlen. Under monteringen skal du vælge den rigtige side, hvor fremspringet passer perfekt ind i hullet på savklingen. Hvis klingen monteres på den forkerte side, kan det medføre farlig vibration.

For at montere rundsavsklingen skal du følge proceduren for afmontering i modsat rækkefølge. Tryk på lås fra-knappen for at frigøre låsestiften fra hullet.

⚠ADVARSEL: SØRG FOR AT STRAMME SEKSANTBOLTEN GODT TIL. Pas også på ikke at tilspænde boltene for kraftigt. Hvis din hånd glider af sekskantnøglen, kan det medføre personskaade.

Rengøring af beskyttelsesskærmen

Når rundsavsklingen udskiftes, skal du også sørge for at rengøre beskyttelsesskærmen for ophobet savsmuld som omtalt i afsnittet Vedligeholdelse. Sådanne tiltag erstatter ikke nødvendigheden af at kontrollere beskyttelsesskærmens funktion inden hver brug.

Tilslutning af en støvsuger

Ekstraudstyr

Når du ønsker at udføre savning, uden at det snavser så meget, kan du tilslutte en Makita-støvsuger til maskinen. Slut støvsugerens slange til støvmundstykket ved hjælp af den forreste manchete 24.

► **Fig.25:** 1. Støvsugerens slange 2. Forreste manchete 24 3. Støvmundstykke

ANVENDELSE

⚠️FORSIGTIG: Sørg for at føre maskinen forsigtigt frem i en lige linje. Hvis maskinen tvinges eller drejes, vil resultatet blive overophedning af motoren og farligt tilbageslag med risiko for alvorlig personskade.

⚠️FORSIGTIG: Placer aldrig nogen del af din krop under maskinens grundplade under sektionsskæring, især ved start. Hvis du gør det, kan det medføre alvorlig personskade. Klingen er blottet under maskinens grundplade.

BEMÆRK: Når akkuens temperatur er lav, arbejder maskinen muligvis ikke med fuld kapacitet. På dette tidspunkt kan du for eksempel anvende maskinen til et lettere snit i et stykke tid, indtil akkuen bliver lige så varm som rumtemperaturen. Derefter kan maskinen arbejde med dens fulde kapacitet.

Sektionsskæring (almindelig savning)

► Fig.26

Hold godt fast i maskinen. Maskinen er udstyret med både et fronthåndtag og et baghåndtag. Anvend begge, så det bedste greb om maskinen opnås. Hvis du holder i saven med begge hænder, kan du ikke skære hænderne på rundsavsklingen. Indstil grundpladen på arbejdsområdet til skæring, uden at rundsavsklingen kommer i kontakt. Tryk derefter på lås fra-knappen, og tryk på afbryderknappen. Vent, til rundsavsklingen når fuld hastighed. Tryk nu savhovedet langsomt ned til den forudindstillede snitdybde, og flyt helt enkelt maskinen fremad over arbejdsområdets overflade, idet den holdes fladt og føres jævnt fremad, indtil savningen er færdig. For at opnå rene snit skal du holde savelinjen lige og fremføringshastigheden jævn. Hvis snittet ikke følger din planlagte skærelinje på korrekt vis, må du ikke forsøge at dreje eller tvinge maskinen tilbage til skærelinjen. Dette kan lase rundsavsklingen og medføre farlige tilbageslag og muligvis alvorlig personskade. Slip afbryderen, og vent, til rundsavsklingen er stoppet, og træk derefter maskinen tilbage. Juster maskinen med den nye skærelinje, og begynd at save igen. Prøv at undgå en placering, der udsætter operatøren for spåner og savsmuld, som frembringes af saven. Anvend øjenbeskyttelse, så tilskadekomst undgås.

Styreskinne

Ekstraudstyr

Placer maskinen på styreskinnens bagende. Drej to justeringsskruer på maskinens grundplade, så maskinen glider jævnt uden at klapre. Hold godt fast i både fronthåndtaget og baghåndtaget på maskinen. Tænd for maskinen, tryk maskinen ned til den forudindstillede snitdybde, og skær overfladebeskytteren i hele længden i én arbejdsgang. Nu svarer kanten af overfladebeskytteren til skærekanten.

► Fig.27: 1. Justeringsskruer

Når du foretager skråsnit med styreskinnen, skal du bruge glidehåndtaget til at forhindre, at maskinen

vælder.

Flyt glidehåndtaget på maskinens grundplade i pilens retning, så det griber fat i den underskårne rille på styreskinnen.

► Fig.28: 1. Glidehåndtag

Undergrundplade (styrepind)

Ekstraudstyr

Hvis du bruger undergrundpladen som styrepind, kan du foretage ekstra præcise lige snit. Løsn spændeskruerne, og skub undergrundpladen ud fra maskinen, og indsæt den derefter med bunden i vejret.

► Fig.29: 1. Spændeskruer 2. Undergrundplade

Skub helt enkelt anslaget på undergrundpladen op mod siden af arbejdsområdet, og fastgør det på stedet med spændeskruerne. Det muliggør også gentagne snit med ens bredde.

► Fig.30: 1. Spændeskruer 2. Undergrundplade

Stikskæring (udskæring)

⚠️ADVARSEL: Sørg for at overholde følgende instruktioner for at undgå tilbageslag.

► Fig.31: 1. Bageste kant af maskinens grundplade 2. Fast stop

Når maskinen anvendes uden styreskinne, placeres maskinen på arbejdsområdet med bagkanten af maskinens grundplade mod et fast stop eller lignende, som en operatør fremstiller.

Når maskinen anvendes med styreskinne, placeres maskinen på styreskinnen med bagkanten af maskinens grundplade mod et fast stop eller lignende, som er spændt på styreskinnen.

Hold godt fast i maskinen med den ene hånd på fronthåndtaget og den anden på maskinens håndtag. Tryk derefter lås fra-knappen ind, og tænd for maskinen, og vent, til klingens har nået fuld hastighed. Tryk nu savhovedet langsomt ned til den forudindstillede snitdybde, og flyt helt enkelt maskinen fremad til den ønskede stikposition.

BEMÆRK: Mærkerne på siden af beskyttelsesskærmen viser savklingens forreste og bageste snitpunkter ved den maksimale snitdybde, når styreskinnen anvendes.

► Fig.32: 1. Forreste snitpunkt 2. Bageste snitpunkt

Styreenhed

Ekstraudstyr

Brug af skråstyret gør det muligt at foretage nøjagtige geringssnit med vinkler og fittingarbejder. Brug af spændet sikrer, at arbejdsområdet holdes fast på bordet.

TRÅDLØS AKTIVERINGSFUNKTION

Kun for DSP601

Hvad kan du foretage dig med den trådløse aktiveringsfunktion

Den trådløse aktiveringsfunktion muliggør ren og behagelig anvendelse. Hvis der slutes en understøttet støvsuger til maskinen, kan du lade støvsugeren køre automatisk, når kontakten på maskinen betjenes.

► Fig.33

Hvis du vil bruge den trådløse aktiveringsfunktion, skal du forberede følgende genstande:

- En trådløs enhed (ekstraudstyr)
- En støvsuger, der understøtter den trådløse aktiveringsfunktion

Følgende er et overblik over indstilling af den trådløse aktiveringsfunktion. Se de enkelte afsnit for detaljerede procedurer.

1. Montering af en trådløs enhed
2. Maskinregistrering til støvsugeren
3. Start af den trådløse aktiveringsfunktion

Montering af en trådløs enhed

Ekstraudstyr

⚠FORSIGTIG: Placer maskinen på en flad og stabil overflade, når den trådløse enhed monteres.

BEMÆRKNING: Fjern støv og snavs fra maskinen, før den trådløse enhed monteres. Støv eller snavs kan forårsage funktionsfejl, hvis det kommer ind i åbningen til den trådløse enhed.

BEMÆRKNING: For at forhindre fejlfunktion forårsaget af statisk elektricitet skal du berøre et statisk afledende materiale som f.eks. en metaldele på maskinen, før du tager den trådløse enhed op.

BEMÆRKNING: Ved montering af den trådløse enhed skal du altid sikre dig, at den trådløse enhed er indsat i den korrekte retning, og at låget er lukket helt.

1. Åbn låget på maskinen som vist på figuren.

► Fig.34: 1. Låg

2. Indsæt den trådløse enhed i åbningen, og luk derefter låget.

Ved indsættelse af den trådløse enhed skal fremspringene justeres i forhold til de forsinkede dele på åbningen.

► Fig.35: 1. Trådløs enhed 2. Fremspring 3. Låg 4. Forsænket del

Ved fjernelse af den trådløse enhed åbnes låget langsomt. Krogene bag på låget løfter den trådløse enhed, når du trækker låget op.

► Fig.36: 1. Trådløs enhed 2. Krog 3. Låg

Når den trådløse enhed er fjernet, skal den opbevares i

den medfølgende æske eller i en beholder, der er fri for statisk elektricitet.

BEMÆRKNING: Brug altid krogene bag på låget ved fjernelse af den trådløse enhed. Hvis krogene ikke griber fat i den trådløse enhed, skal du lukke låget helt og åbne det langsomt igen.

Maskinregistrering til støvsugeren

BEMÆRK: Du skal bruge en Makita-støvsuger, der understøtter den trådløse aktiveringsfunktion, til maskinregistreringen.

BEMÆRK: Afslut monteringen af den trådløse enhed på maskinen, før maskinregistreringen startes.

BEMÆRK: Under maskinregistreringen må du ikke trykke på afbryderknappen eller tænde for hovedafbryderen på støvsugeren.

BEMÆRK: Se også i brugsanvisningen til støvsugeren.

Hvis du vil aktivere støvsugeren, når kontakten på maskinen betjenes, skal du først afslutte maskinregistreringen.

1. Sæt batterierne i støvsugeren og maskinen.
2. Sæt standby-kontakten på støvsugeren til "AUTO".

► Fig.37: 1. Standby-kontakt

3. Tryk på den trådløse aktiveringsknap på støvsugeren i 3 sekunder, indtil den trådløse aktiveringslampe blinker grønt. Tryk derefter på den trådløse aktiveringsknap på maskinen på samme måde.

► Fig.38: 1. Trådløs aktiveringsknap 2. Trådløs aktiveringslampe

Hvis støvsugeren og maskinen sammenkædes korrekt, lyser de trådløse aktiveringslamper grønt i 2 sekunder og begynder at blinke blåt.

BEMÆRK: De trådløse aktiveringslamper holder op med at blinke grønt efter 20 sekunder. Tryk på den trådløse aktiveringsknap på maskinen, når den trådløse aktiveringslampe på støvsugeren blinker. Hvis den trådløse aktiveringslampe ikke blinker grønt, skal du trykke kortvarigt på den trådløse aktiveringsknap og holde den nede igen.

BEMÆRK: Når der udføres to eller flere maskinregistreringer for én støvsuger, skal maskinregistreringerne udføres en for en.

Start af den trådløse aktiveringsfunktion

BEMÆRK: Afslut maskinregistreringen for støvsugeren før den trådløse aktivering.

BEMÆRK: Se også i brugsanvisningen til støvsugeren.

Når en maskine er registreret til støvsugeren, kører støvsugeren automatisk, når kontakten på maskinen betjenes.

1. Monter den trådløse enhed på maskinen.
2. Slut støvsugerens slange til maskinen.

► Fig.39

3. Sæt standby-kontakten på støvsugeren til "AUTO".

► **Fig.40:** 1. Standby-kontakt

4. Tryk kortvarigt på den trådløse aktiveringsknap på maskinen. Den trådløse aktiveringslampe blinker blåt.

► **Fig.41:** 1. Trådløs aktiveringsknap 2. Trådløs aktiveringslampe

5. Tænd for maskinen. Kontroller, om støvsugeren kører, mens maskinen er i drift.

Tryk på den trådløse aktiveringsknap på maskinen for at stoppe den trådløse aktivering af støvsugeren.

BEMÆRK: Den trådløse aktiveringslampe på maskinen holder op med at blinke blåt, hvis der ikke sker nogen betjening i 2 timer. Indstil i så fald standby-kontakten på støvsugeren til "AUTO", og tryk på den trådløse aktiveringsknap på maskinen igen.

BEMÆRK: Støvsugeren starter/stopper med en forsinkelse. Der er en forsinkelse, når støvsugeren registrerer en betjening af kontakten på maskinen.










BEMÆRK: Den trådløse enheds transmissionsafstand kan variere afhængigt af placeringen og de omgivende forhold.

BEMÆRK: Når to eller flere maskiner er registreret til én støvsuger, kan støvsugeren begynde at køre, selvom du ikke tænder for maskinen, fordi en anden bruger anvender den trådløse aktiveringsfunktion.

Beskrivelse af den trådløse aktiveringslampes status

► **Fig.42:** 1. Trådløs aktiveringslampe

Den trådløse aktiveringslampe viser status for den trådløse aktiveringsfunktion. Se i tabellen nedenfor vedrørende betydningen af lampens status.

Status	Trådløs aktiveringslampe				Beskrivelse
	Farve	 Tændt	 Blinker	Varighed	
Standby	Blå			2 timer	Den trådløse aktivering af støvsugeren er tilgængelig. Lampen slukkes automatisk, hvis der ikke sker nogen betjening i 2 timer.
				Når maskinen kører.	Den trådløse aktivering af støvsugeren er tilgængelig, og maskinen kører.
Maskinregistrering	Grøn			20 sekunder	Klar til maskinregistrering. Venter på registrering fra støvsugeren.
				2 sekunder	Maskinregistreringen er fuldført. Den trådløse aktiveringslampe begynder at blinke blåt.
Annullerer maskinregistrering	Rød			20 sekunder	Klar til annullering af maskinregistrering. Venter på annullering fra støvsugeren.
				2 sekunder	Annulleringen af maskinregistreringen er fuldført. Den trådløse aktiveringslampe begynder at blinke blåt.
Andre	Rød			3 sekunder	Der er strøm til den trådløse enhed, og den trådløse aktiveringsfunktion starter.
	Slukket	-		-	Den trådløse aktivering af støvsugeren er stoppet.

Annullerer maskinregistrering for støvsugeren

Benyt følgende fremgangsmåde ved annullering af maskinregistreringen for støvsugeren.

1. Sæt batterierne i støvsugeren og maskinen.

2. Sæt standby-kontakten på støvsugeren til "AUTO".

► **Fig.43:** 1. Standby-kontakt

3. Tryk på den trådløse aktiveringsknap på støvsugeren i 6 sekunder. Den trådløse aktiveringslampe blinker grønt og bliver derefter rød. Tryk derefter på den

trådløse aktiveringsknap på maskinen på samme måde.

► **Fig.44:** 1. Trådløs aktiveringsknap 2. Trådløs aktiveringslampe

Hvis annulleringen gennemføres korrekt, lyser de trådløse aktiveringslamper rød i 2 sekunder og begynder at blinke blåt.

BEMÆRK: De trådløse aktiveringslamper holder op med at blinke rødt efter 20 sekunder. Tryk på den trådløse aktiveringsknap på maskinen, når den trådløse aktiveringslampe på støvsugeren blinker. Hvis den trådløse aktiveringslampe ikke blinker rødt, skal du trykke kortvarigt på den trådløse aktiveringsknap og holde den nede igen.

Fejlfinding i forbindelse med den trådløse aktiveringsfunktion

Udfør selv en inspektion, inden De anmoder om reparation. Hvis De opdager et problem, som ikke er forklaret i brugsanvisningen, må De ikke forsøge at adskille maskinen. Rådfør Dem i stedet med et autoriseret Makita Servicecenter, og brug altid originale Makita udskiftingsdele til reparationer.

Unormal tilstand	Sandsynlig årsag (fejl)	Afhjælpning
Den trådløse aktiveringslampe tændes/blinker ikke.	Den trådløse enhed er ikke monteret på maskinen. Den trådløse enhed er ikke monteret korrekt på maskinen.	Monter den trådløse enhed korrekt.
	Terminalen på den trådløse enhed og/eller åbningen er snavset.	Aftør forsigtigt støv og snavs på terminalen på den trådløse enhed, og rengør åbningen.
	Der er ikke trykket på den trådløse aktiveringsknap på maskinen.	Tryk kortvarigt på den trådløse aktiveringsknap på maskinen.
	Standby-kontakten på støvsugeren er ikke indstillet til "AUTO".	Sæt standby-kontakten på støvsugeren til "AUTO".
	Ingen strømforsyning	Tilfør strøm til maskinen og støvsugeren.
Kan ikke afslutte maskinregistrering/annullering af maskinregistrering korrekt.	Den trådløse enhed er ikke monteret på maskinen. Den trådløse enhed er ikke monteret korrekt på maskinen.	Monter den trådløse enhed korrekt.
	Terminalen på den trådløse enhed og/eller åbningen er snavset.	Aftør forsigtigt støv og snavs på terminalen på den trådløse enhed, og rengør åbningen.
	Standby-kontakten på støvsugeren er ikke indstillet til "AUTO".	Sæt standby-kontakten på støvsugeren til "AUTO".
	Ingen strømforsyning	Tilfør strøm til maskinen og støvsugeren.
	Forkert betjening	Tryk kortvarigt på den trådløse aktiveringsknap, og udfør procedurerne for maskinregistrering/annullering igen.
	Maskinen og støvsugeren er ikke i nærheden af hinanden (uden for transmissionsafstand).	Flyt maskinen og støvsugeren tættere på hinanden. Den maksimale transmissionsafstand er cirka 10 m, men kan variere afhængigt af forholdene.
	Før du afslutter registreringen/annulleringen af maskinen; - er kontakten på maskinen tændt eller; - er tænd/sluk-knappen på støvsugeren tændt.	Tryk kortvarigt på den trådløse aktiveringsknap, og udfør procedurerne for maskinregistrering/annullering igen.
	Maskinregistreringsprocedurerne på maskinen eller støvsugeren er ikke fuldført.	Gennemfør maskinregistreringsprocedurerne både på maskinen og støvsugeren på samme tid.
Støvsugeren kører ikke, når kontakten på maskinen betjenes.	Radiointerferens fra andre apparater, der udsender højintens radiobølger.	Hold maskinen og støvsugeren væk fra apparater som f.eks. Wi-Fi-enheder og mikrobølgeovne.
	Den trådløse enhed er ikke monteret på maskinen. Den trådløse enhed er ikke monteret korrekt på maskinen.	Monter den trådløse enhed korrekt.
	Terminalen på den trådløse enhed og/eller åbningen er snavset.	Aftør forsigtigt støv og snavs på terminalen på den trådløse enhed, og rengør åbningen.
	Der er ikke trykket på den trådløse aktiveringsknap på maskinen.	Tryk kortvarigt på den trådløse aktiveringsknap, og kontroller, at den trådløse aktiveringslampe blinker blåt.
	Standby-kontakten på støvsugeren er ikke indstillet til "AUTO".	Sæt standby-kontakten på støvsugeren til "AUTO".
	Der er registreret mere end 10 maskiner til støvsugeren.	Udfør maskinregistreringen igen. Hvis der er registreret mere end 10 maskiner til støvsugeren, bliver den maskine, der blev registreret tidligst, automatisk annulleret.
	Støvsugeren har slettet alle maskinregistreringer.	Udfør maskinregistreringen igen.
	Ingen strømforsyning	Tilfør strøm til maskinen og støvsugeren.
	Maskinen og støvsugeren er ikke i nærheden af hinanden (uden for transmissionsafstand).	Flyt maskinen og støvsugeren tættere på hinanden. Den maksimale transmissionsafstand er cirka 10 m, men kan variere afhængigt af forholdene.
Radiointerferens fra andre apparater, der udsender højintens radiobølger.	Hold maskinen og støvsugeren væk fra apparater som f.eks. Wi-Fi-enheder og mikrobølgeovne.	
Støvsugeren kører, mens maskinen ikke er i drift.	Andre brugere anvender den trådløse aktivering af støvsugeren med deres maskiner.	Deaktiver den trådløse aktiveringsknap på de andre maskiner, eller annuller maskinregistreringen af de andre maskiner.

VEDLIGEHOJDELSE

⚠FORSIGTIG: Vær altid sikker på, at værktøjet er slukket, og at akkuer er taget ud, inden De begynder at udføre inspektion eller vedligeholdelse.

⚠FORSIGTIG: Rengør beskyttelseskærm for at sikre, at der ikke er ophobet noget savsmuld, som kan hindre afskærmningssystemets funktion. Et beskidt afskærmningssystem kan begrænse den korrekte funktion, hvilket kan medføre alvorlig personskade. Den mest effektive måde at foretage denne rengøring på er med trykluft. Hvis støvet blæses ud af beskyttelseskærmen, skal du sørge for at anvende korrekt øjen- og åndedrætsbeskyttelse.

BEMÆRKNING: Anvend aldrig benzin, rensbenzin, fortynder, alkohol og lignende. Det kan medføre misfarvning, deformation eller revner.

Justering af nøjagtigheden af 0° snit og 45° snit

BEMÆRKNING: Undlad at aktivere håndtagene til -1° skråsnitsvinkel ved justering af nøjagtigheden af 0° snit.

BEMÆRKNING: Undlad at aktivere håndtaget til 48° skråsnitsvinkel ved justering af nøjagtigheden af 45° snit.

Disse justeringer er foretaget på fabrikken. Men hvis de er forkerte, kan du justere dem ved at benytte følgende fremgangsmåder.

1. Løsn spændeskruerne foran og bag på maskinen let.

2. Juster klingeinklen.

► **Fig.45:** 1. Trekantlineal

For at justere nøjagtigheden af 0° snit skal du stille grundpladen vinkelret på klingens ved hjælp af en trekantlineal, firkantlineal osv. ved at dreje på justeringsbolten.

► **Fig.46:** 1. Justeringsbolt til 0° snit

For at justere nøjagtigheden af 45° snit skal du stille grundpladen i en vinkel på 45° i forhold til klingens ved hjælp af en trekantlineal ved at dreje på justeringsbolten.

► **Fig.47:** 1. Justeringsbolt til 45° snit

3. Stram spændeskruerne, og foretag et testsnit.

For at opretholde produktets SIKKERHED og PALIDELIGHED må reparation, vedligeholdelse eller justering kun udføres af et autoriseret Makita servicecenter eller fabrikkens servicecenter med anvendelse af Makita reservedele.

EKSTRAUDSTYR

⚠FORSIGTIG: Det følgende tilbehør og ekstraudstyr er anbefalet til brug med Deres Makita maskine, der er beskrevet i denne brugsanvisning. Anvendelse af andet tilbehør eller ekstraudstyr kan udgøre en risiko for personskade. Anvend kun tilbehør og ekstraudstyr til det beskrevne formål.

Hvis De behøver hjælp ved valg af tilbehør eller ønsker yderligere informationer, bedes De kontakte Deres lokale Makita servicecenter.

- Rundsavsklinge
- Undergrundplade
- Unbrakonøgle
- Styreskinne
- Skråstyr
- Spænde
- Ark
- Gummiark
- Positionsark
- Trådløs enhed (for DSP601)
- Original Makita-akku og oplader

BEMÆRK: Nogle ting på denne liste kan være inkluderet i værktøjspakken som standardtilbehør. Det kan være forskellige fra land til land.

SPECIFIKĀCIJAS

Modelis:		DSP600	DSP601
Asmens diametrs		165 mm	
Maks. zāģēšanas dziļums	0° leņķī	56 mm	
	45° slīpā leņķī	40 mm	
	48° slīpā leņķī	38 mm	
Ātrums bez slodzes		2 500 - 6 300 min ⁻¹	
Kopējais garums		346 mm	
Nominālais spriegums		Līdzstrāva 36 V	
Tīrsvars		4,4 - 5,1 kg	

- Nepārtrauktās izpētes un izstrādes programmas dēļ šeit uzrādītās specifikācijas var tikt mainītas bez brīdinājuma.
- Specifikācijas un akumulatora kasetne var atšķirties dažādās valstīs.
- Svārs var būt atšķirīgs atkarībā no papildierīces (-ēm), tostarp akumulatora kasetnes. Tabulā ir attēlota vieglākā un smagākā kombinācija atbilstoši EPTA procedūrai 01/2014.

Piemērotā akumulatora kasetne un lādētājs

Akumulatora kasetne	BL1815N / BL1820B / BL1830B / BL1840B / BL1850B / BL1860B
Lādētājs	DC18RC / DC18RD / DC18RE / DC18SD / DC18SE / DC18SF / DC18SH / DC18WC

- Daži no iepriekš norādītajiem lādētājiem un akumulatora kasetnēm var nebūt pieejami atkarībā no jūsu mītnes reģiona.

▲BRĪDINĀJUMS: Izmantojiet vienīgi iepriekš norādītās akumulatora kasetnes un lādētājus. Cita tipa akumulatora kasetņu un lādētāju izmantošana var radīt traumu un/vai aizdegšanās risku.

Paredzētā lietošana

Šis darbarīks ir paredzēts iezāģējumu veikšanai. Šis darbarīks ir paredzēts arī kokmateriālu garenzāģēšanai un pārzāģēšanai. Ja darbarīkam ir atbilstošs ripzāģa asmens, to var izmantot alumīnija, plastmasas, minerālus saturošas plastmasas un līdzīgu materiālu zāģēšanai.

Trokšņa līmenis

Tipiskais A svērtais trokšņa līmenis noteikts saskaņā ar EN62841-2-5:

Modelis DSP600

Skaņas spiediena līmeni (L_{pA}): 95 dB (A)

Skaņas jaudas līmeni (L_{WA}): 103 dB (A)

Mainīgums (K): 3 dB (A)

Modelis DSP601

Skaņas spiediena līmeni (L_{pA}): 95 dB (A)

Skaņas jaudas līmeni (L_{WA}): 103 dB (A)

Mainīgums (K): 3 dB (A)

PIEZĪME: Paziņotā trokšņa emisijas vērtība noteikta atbilstoši standarta pārbaudes metodei, un to var izmantot, lai salīdzinātu vienu darbarīku ar citu.

PIEZĪME: Paziņoto trokšņa emisijas vērtību arī var izmantot iedarbības sākotnējā novērtējumā.

▲BRĪDINĀJUMS: Lietojiet ausu aizsargus.

▲BRĪDINĀJUMS: Trokšņa emisija patiesos darba apstākļos var atšķirties no paziņotās vērtības atkarībā no darbarīka izmantošanas veida un jo īpaši atkarībā no apstrādājamā materiāla veida.

▲BRĪDINĀJUMS: Lai aizsargātu lietotāju, nosakiet drošības pasākumus, kas pamatoti ar iedarbību reālos darba apstākļos (ņemot vērā visus ekspluatācijas cikla posmus, piemēram, laiku, kamēr darbarīks ir izslēgts un kad darbojas tukšgaitā, kā arī palaišanas laiku).

Vibrācija

Vibrācijas kopējā vērtība (trīsasu vektora summa) noteikta atbilstoši EN62841-2-5:

Modelis DSP600

Darba režīms: koksnes zāģēšana

Vibrācijas izmete ($a_{h,w}$): 2,5 m/s² vai mazāk

Mainīgums (K): 1,5 m/s²

Darba režīms: metāla zāģēšana

Vibrācijas izmete ($a_{h,w}$): 2,5 m/s² vai mazāk

Mainīgums (K): 1,5 m/s²

Modelis DSP601

Darba režīms: koksnes zāģēšana

Vibrācijas izmete ($a_{h,w}$): 2,5 m/s² vai mazāk

Mainīgums (K): 1,5 m/s²

Darba režīms: metāla zāģēšana

Vibrācijas izmēri ($a_{h,M}$): 2,5 m/s² vai mazāk
Mainīgums (K): 1,5 m/s²

PIEZĪME: Paziņotā kopējā vibrācijas vērtība noteikta atbilstoši standarta pārbaudes metodei, un to var izmantot, lai salīdzinātu vienu darbarīku ar citu.

PIEZĪME: Paziņoto kopējo vibrācijas vērtību arī var izmantot iedarbības sākotnējā novērtējumā.

▲BRĪDINĀJUMS: Vibrācijas emisija patiesos darba apstākļos var atšķirties no paziņotās vērtības atkarībā no darbarīka izmantošanas veida un jo īpaši atkarībā no apstrādājamā materiāla veida.

▲BRĪDINĀJUMS: Lai aizsargātu lietotāju, nosakiet drošības pasākumus, kas pamatoti ar iedarbību reālos darba apstākļos (ņemot vērā visus ekspluatācijas cikla posmus, piemēram, laiku, kamēr darbarīks ir izslēgts un kad darbojas tukšgaitā, kā arī palaides laiku).

Atbilstības deklarācijas

Tikai Eiropas valstīm

Atbilstības deklarācijas šajā lietošanas rokasgrāmatā ir iekļautas kā A pielikums.

DROŠĪBAS BRĪDINĀJUMI

Vispārīgi elektrisko darbarīku drošības brīdinājumi

▲BRĪDINĀJUMS Izlasiet visus drošības brīdinājumus, norādījumus un tehniskos datus un izpētiēt ilustrācijas, kas iekļautas šā elektriskā darbarīka komplektā. Neievērojot visus tālāk minētos noteikumus, iespējams elektriskās strāvas trieciena, aizdegšanās un/vai smagu traumu risks.

Glabājiet visus brīdinājumus un norādījumus, lai varētu tajos ieskatīties turpmāk.

Termins „elektrisks darbarīks” brīdinājumos attiecas uz tādu elektrisko darbarīku, ko darbina ar elektrību (ar vadu), vai tādu, ko darbina ar akumulatoru (bez vada).

Drošības brīdinājumi par bezvadu rīpžāga lietošanu

Zāgēšanas procedūras

1. **▲BĪSTAMI:** Netuviniet rokas griešanas zonai un asmenim. Otru roku turiet uz palīgrocikla vai motora korpusa. Ja turat zāģi ar abām rokām, asmens tās nevar sagriezt.
2. Nesniedzieties zem apstrādājamā materiāla. Aizsargs neaizsargā no asmens zem apstrādājamā materiāla.
3. Noregulējiet griešanas dziļumu atbilstoši apstrādājamā materiāla biezumam. Zem apstrādājamā materiāla jābūt redzamam nedaudz mazāk nekā veselam zāģa zobam.

4. **Griežot apstrādājamo materiālu, nekad neturiet to rokās vai pār kāju. Apstrādājamo materiālu nostipriniet uz stabilas platformas.** Materiālu ir svarīgi pareizi nostiprināt, lai mazinātu apdraudējumu ķermenim, novērstu asmens iekļīšanās vai kontroles zuduma risku.

► Att.1

5. **Ja, veicot darbību, griežējinstrumentus var pieskarties slēptam vadam, mehanizēto darbarīku turiet pie izolētajam satveršanas virsmām.** Saskaņoties ar vadu, kurā ir spriegums, mehānizēta darbarīka ārējās metāla virsmas var vadīt spriegumu un operators saņems strāvas triecienu.
6. **Zāģējot gareniski, vienmēr izmantojiet garenzāģēšanas ierobežotāju vai aizsargu ar taisnām malām.** Tas uzlabo zāģēšanas precizitāti un mazina asmens iekļīšanās iespēju.
7. **Vienmēr izmantojiet asmeņus ar pareizā izmēra ir formas (dimanta vai apaļas) pievienošanas atverēm.** Asmeņi, kas neatbilst zāģa uzstādīšanas sastāvdaļām, darbosies nepareizi, izraisot kontroles zudumu.
8. **Nekādā gadījumā nelietojiet bojātas vai neatbilstošas asmens starplikas vai skrūvi.** Asmens paplāksnes un skrūves ir speciāli paredzētas konkrētajam zāģim, lai sniegtu optimālu darba izpildi un drošību.

Atsitiens un ar to saistīti brīdinājumi

- atsitiens ir pēkšņa kustība pēc zāģa asmens iesprūšanas, iekļīšanās vai nepareizas novietošanās, liekot zāģim nekontrolēti pacelties un izvīzīties no apstrādājamā materiāla operatora virzienā;
 - kad asmens cieši iesprūst vai iekļījas starp sakļaujošos iezāģējumu, asmens apstājas, un dzinēja kustība liek ierīci strauji virzīties atpakaļ operatora virzienā;
 - ja asmeni iezāģējumā saspiež vai nepareizi novieto, zobi asmens aizmugurējā malā var ieurbties koka virsmā, liekot asmenim izvīzīties no iezāģējuma un atlēkt atpakaļ operatora virzienā.
- Atsitiens rodas zāģa nepareizas lietošanas un/vai nepareizas darbības vai apstākļu rezultātā, un no tā var izvairīties, veicot piemērotus drošības pasākumus, kā tālāk norādīts.

1. **Ar abām rokām spēcīgi turiet zāģi, rokas novietojot tā, lai spētu pretoties atsitiens spēkam. Turiet asmeni vienā ķermeņa pusē, bet neturiet vienā līnijā ar ķermeņa vidusdaļu.** Atsitiens var likt zāģim atlēkt atpakaļ, taču atsitiens spēku operators var kontrolēt, ja veic piemērotus drošības pasākumus.
2. **Ja asmens iekļījas vai kāda iemesla dēļ neļauj pabeigt zāģēšanu, atļaidiet mēlīti un nekustinot turiet zāģi materiālā, kamēr asmens pilnībā apstājas. Nekad neņemiet zāģi ārā no materiāla un nevirziet to atpakaļ, ja asmens kustas, jo tā var izraisīt atsitienu.** Pārbaudiet un koriģējiet, lai novērstu asmens iekļīšanās cēloņus.
3. **Atsākot zāģa darbību apstrādājamajā materiālā, novietojiet zāģa asmeni iezāģējuma centrā tā, lai zāģa zobi nesaskaras ar materiālu.** Ja zāģa asmens ir iekļījies, tas var palēkties vai atsīties no apstrādājamā materiāla, kad zāģa darbība tiek atsākta.

4. **Atbalstiet lielus gabalus, lai samazinātu asmens iesprūšanu vai atsitieni.** Lielī gabali bieži vien zem sava svara ieliecās. Atbalstī jānovieto abās pusēs zem gabala, blakus griezumam līnijai un blakus gabala malai.
- **Att.2**
- **Att.3**
5. **Neizmantojiet neasus vai bojātus asmeņus.** Neuzasināts vai nepareizi uzstādīts asmens veido šauru iezāgējumu, kas rada pārmērīgu berzi, asmens iekļīlēšanos vai atsitieni.
 6. **Pirms sākt zāgēt pārliecinieties, vai asmens dziļuma un slīpuma regulēšanas sviras ir ciešas un nostiprinātas.** Ja noregulētais asmens griešanas laikā pārvietojas, tas var iekļīlēties un izraisīt atsitieni.
 7. **Īpaši uzmanieties, zāgējot jau esošās sienās vai citās aizsegtās vietās.** Caurejošais asmens var ietriekties priekšmetos, kas var izraisīt atsitieni.
 8. **VIENMĒR stingri turiet darbarīku ar abām rokām. NEKAD nenovietojiet savu galvu, kāju vai jebkuru savu ķermeņa daļu zem darbarīka pamatnes vai aiz zāga, īpaši, kad zāgējat šķēr-sām.** Ja ir atsitienis, zāģis var atlēkt atpakaļ virs jūsu rokas, radot smagu traumu.

► **Att.4**

9. **Nekad nespiediet zāģi.** Virziet zāģi uz priekšu tādā ātrumā, lai asmens zāģētu bez palēnināšanās. Ja spēcīgi spiedīsiet zāģi, zāģējumi būs nevienmērīgi, neprecīzi un radīsies atsitiena risks.

Aizsarga funkcionēšana

1. **Katru reizi pirms lietošanas pārbaudiet, vai aizsargs aizveras pareizi.**Nelietojiet zāģi, ja aizsargs nevirzās brīvi un nekavējoties aizver zāģi.Nekad nepiestipriniet skavas un nepiesieniet aizsargu atvērtā stāvoklī, neapsedzot asmeni.Ja zāģis nejauši nokrīt, aizsargs var salocīties.Pārliecinieties, ka aizsargs virzās brīvi un nevienā leņķī un zāģējuma dziļumā nepieska-
ras asmenim un nevienai citai daļai.
2. **Pārbaudiet aizsarga atgriešanās atspere darbību un stāvokli.** Ja aizsargs un atspere nedarbojas pareizi, tie pirms lietošanas jāsalabo. Bojātu daļu, sveķu nosēdumu vai grūžu uzkrājumu dēļ aizsargs var darboties lēni.
3. **Nodrošiniet, lai, veicot iezāgējumu, zāga pamatnes plāksne neizkustētos.**Asmenim novirzoties sānis, asmens iekļīlēšies un var radīt atsitieni.
4. **Pirms zāga novietošanas uz sola vai grīdas vienmēr pārbaudiet, vai asmeni sedz aizsargs.** Neaizsargāts asmens, kas griežas pēc inerces, virzīs zāģi atpakaļ, sazāģējot visu tā ceļā. Atercieties, ka pēc slēdža atlaišanas asmenim nepieciešams laiks, lai apstātos.

Papildu drošības brīdinājumi

1. **Īpaši uzmanieties, kad zāģējat mitru koksni, ar spiedienu apstrādātu zāgmateriālu vai zarus.** Uzturiet vienmērīgu zāģēšanas ātrumu, nesamazinot darbarīka asmens ātrumu, lai asmens malas nepārkarstu, bet, zāģējot plastmasu, tā nekustu.
2. **Neņemiet nost sagrieztu materiālu, kamēr asmens griežas. Pirms sazāģētā materiāla**

satveršanas nogaidiet, līdz asmens apstājas. Asmeņi pēc darbarīka izslēgšanās turpina kustēties pēc inerces.

3. **Negrieziet naglas. Pirms zāģēšanas pārbaudiet, vai zāgmateriālā nav naglu, un tās izņemiet.**
4. **Zāga pamata platāko daļu novietojiet uz tās apstrādājamā materiāla daļas, kas ir cieši atbalstīta, nevis uz daļas, kas pēc nogriešanas nokrītis. Ja apstrādājama materiāls ir īss vai mazs, piestipriniet to. NETURIET ĪSOS GABALUS ROKĀS!**

► **Att.5**

5. **Pirms nolaist darbarīku, pabeidzot zāģēšanu, pārliecinieties, ka apakšējais aizsargs ir aizvēries un asmens ir pilnībā apstājies.**
6. **Nekad nezāģējiet, ja ripzāģis skrūvspīlēs iestiprināts otrādi. Tas ir ārkārtīgi bīstami un var izraisīt smagus negadījumus.**

► **Att.6**

7. **Daži materiāli satur ķīmiskas vielas, kas var būt toksiskas. Izvairieties no putekļu ieelpošanas un to nokļūšanas uz ādas. Ievērojiet materiāla piegādātāja drošības datus.**
8. **Nemēģiniet apstādīnāt asmeņus, no sāniem spiežot uz zāga asmens.**
9. **Neizmantojiet abrazīvās ripas.**
10. **Izmantojiet tikai tāda diametra zāga asmeņus, kas ir norādīts uz darbarīka vai rokasgrāmatā.** Izmantojot nepareiza izmēra asmeni, var būt traucēta asmens pareiza aizsardzība vai aizsarga darbība, kas var izraisīt nopietnus ievainojumus.
11. **Uzturiet asmeni asu un tīru.** Ja asmeņiem pielipuši sveķi un koka darva, zāga darbība kļūst lēnāka un atsitiena risks palielinās. Rūpējieties, lai asmens būtu tīrs, vispirms to noņemot nost no darbarīka, tad notīrot ar sveķu un darvas tīrītāju, karstu ūdeni vai petroleju. Nekad neizmantojiet benzīnu.
12. **Lietojot darbarīku, izmantojiet putekļu masku un ausu aizsargus.**
13. **Vienmēr izmantojiet zāga asmeni, kas paredzēts materiālam, ko griezīsiet.**
14. **Izmantojiet tikai tādus zāga asmeņus, kas ir marķēti ar ātrumu, kas ir tāds pats vai lielāks kā uz darbarīka norādītais ātrums.**
15. **(Tikai Eiropas valstīm)** Ja paredzēts zāģēt koku un līdzīgus materiālus, vienmēr izmantojiet asmeni, kas atbilst standartam EN847-1.

SAGLABĀJIET ŠOS NORĀDĪJUMUS.

▲BRĪDINĀJUMS: NEPIEĻAUJIET to, ka labu iemaņu vai izstrādājuma labas pārzināšanas (darbarīku atkārtoti ekspluatējot) rezultātā vairs stingri neievērojāt šī izstrādājuma drošības noteikumus. NEPAREIZI LIETOJOT darbarīku vai neievērojot šajā instrukciju rokasgrāmatā minētos drošības noteikumus, var tikt gūtas smagas traumas.

Svarīgi drošības norādījumi par akumulatora kasetni

1. Pirms akumulatora lietošanas izlasiet visus norādījumus un brīdinājumus, kuri attiecas uz (1) akumulatora lādētāju, (2) akumulatoru un (3) ierīci, kurā tiek izmantots akumulators.
 2. Akumulatora kasetni nedrīkst ne pārveidot, ne izjaukt. Citādi var tikt izraisīta aizdegšanās, pārmērīgs karstums vai sprādziens.
 3. Ja akumulatora darbības laiks kļūva ievērojami īsāks, nekavējoties pārtrauciet to izmantot. Citādi, tas var izraisīt pārkarsējumu, uzliesmojumu vai pat sprādzienu.
 4. Ja elektrolīts nonāk acīs, izskalojiet tās ar tīru ūdens un nekavējoties griezties pie ārsta. Tas var izraisīt redzes zaudēšanu.
 5. Neradiet īssavienojumu akumulatora kasetnē:
 - (1) Nepieskarieties spaiļēm ar elektrību vadošiem materiāliem.
 - (2) Neuzglabājiet akumulatoru kasetni kopā ar citiem metāla priekšmetiem, tādiem kā naglas, monētas u. c.
 - (3) Nepakļaujiet akumulatora kasetni ūdens vai lietus iedarbībai.
- Akumulatora īssavienojums var radīt spēcīgu strāvas plūsmu, pārkaršanu, uzliesmojumu un pat sabojāt akumulatoru.
6. Neglabājiet un neizmantojiet darbarīku un akumulatora kasetni vietās, kur temperatūra var sasniegt vai pārsniegt 50 °C (122 °F).
 7. Nededziniet akumulatora kasetni, pat ja tā ir stipri bojāta vai pilnībā nolietota. Akumulatora kasetne ugunī var eksplodēt.
 8. Akumulatora kasetni nedrīkst naglot, griezt, saspīest, mest vai nomest, kā arī pa to nedrīkst sist ar cietu priekšmetu. Šādas darbības var izraisīt aizdegšanos, pārmērīgu karstumu vai sprādzienu.
 9. Neizmantojiet bojātu akumulatoru.
 10. Uz izmantotajiem litiņa jonu akumulatoriem attiecas likumdošanas prasības par bīstamiem izstrādājumiem.

Komerציālā transportēšanā, ko veic, piemēram, trešās puses, transporta uzņēmumi, jāievēro uz iesaiņojuma un marķējuma norādītās īpašās prasības.

Lai izstrādājumu sagatavotu nosūtīšanai, jāsaziņš ar bīstamo materiālu speciālistu. Ievērojiet arī citus attiecināmos valsts normatīvus.

Valējus kontaktus nosedziet ar līmlenti vai citādi pārklājiet, bet akumulatoru iesaiņojiet tā, lai sainī tas nevarētu izkustēties.
 11. Lai utilizētu akumulatora kasetni, izņemiet to no darbarīka un likvidējiet drošā vietā. Ievērojiet vietējos noteikumus par akumulatora likvidēšanu.
 12. Izmantojiet šos akumulatorus tikai ar izstrādājumiem, kurus norādījis Makita. Ievietojot šos akumulatorus nesaderīgos izstrādājumos, var rasties ugunsgrēks, pārmērīgs karstums, tie var uzsprāgt vai no tiem var iztecēt elektrolīts.
 13. Ja darbarīks netīks lietots ilgu laiku, no tā jāizņem akumulators.

14. Lietošanas laikā vai pēc tās akumulatora kasetne var uzkrāt siltumu, kas var izraisīt apdegumus vai zemas temperatūras apdegumus. Ar karstu akumulatora kasetni apējieties rūpīgi.
15. Nepieskarieties darbarīka izvadam uzreiz pēc lietošanas, jo tas var būt sakarsis un izraisīt apdegumus.
16. Neļaujiet akumulatora kasetnes spaiļēs, atverēs un rievās uzkrāties skaidām, putekļiem vai netīrumiem. Tas var izraisīt sasilšanu, aizdegšanos, sprādzienu instrumenta vai akumulatora kasetnes nepareizu darbību, un lietotājs var gūt apdegumus vai ievainojumus.
17. Neizmantojiet akumulatora kasetni augstsprieguma līniju tuvumā, izņemot gadījumus, kad darbarīks ir piemērots lietošanai augstsprieguma līniju tuvumā. Citādi darbarīks vai akumulatora kasetne var sākt darboties nepareizi vai tikt sabojāti.
18. Glabājiet akumulatoru bērniem nepieejamā vietā.

SAGLABĀJIET ŠOS NORĀDĪJUMUS.

⚠UZMANĪBU: Lietojiet tikai oriģinālos Makita akumulatorus. Ja lietojat neoriģinālus Makita akumulatorus vai pārveidotus akumulatorus, tie var uzsprāgt un izraisīt aizdegšanos, traumas un materiālos zaudējumus. Tīks anulēta arī Makita darbarīka un lādētāja garantija.

Ieteikumi akumulatora kalpošanas laika pagarināšanai

1. Uzlādējiet akumulatora kasetni, pirms tā ir pilnībā izlādējusies. Viennēr, kad ievērojāt, ka darbarīka darba jauda zudusi, apturiet darbarīku un uzlādējiet akumulatora kasetni.
2. Nekad neuzlādējiet pilnībā uzlādētu akumulatora kasetni. Pārmērīga uzlāde saīsina akumulatora kalpošanas laiku.
3. Uzlādējiet akumulatora kasetni istabas temperatūrā 10 °C - 40 °C. Karstai akumulatora kasetnei pirms uzlādes ļaujiet atdzist.
4. Kad akumulatora kasetne netiek izmantota, izņemiet to no darbarīka vai lādētāja.
5. Uzlādējiet litiņa jonu akumulatora kasetni, ja to ilgstoši nelietosit (vairāk nekā sešus mēnešus).

Svarīgi drošības norādījumi par bezvadu ierīci

1. Bezvadu ierīci nedrīkst ne pārveidot, ne izjaukt.
2. Bezvadu ierīci glabājiet maziem bērniem nepieejamā vietā. Ja kāds cilvēks nejauši norij kādu no detaļām, nekavējoties jādodas pie ārsta.
3. Bezvadu ierīci lietojiet tikai kopā ar Makita darbarīkiem.
4. Raugiet, lai bezvadu ierīce neatrastos lietū vai mitros apstākļos.
5. Bezvadu ierīci nelietojiet vietās, kur

temperatūra pārsniedz 50 °C.

6. Bezvadu ierīci nelietojiet vietās, kur tuvumā atrodas medicīnas ierīces, piemēram, sirds darbības stimulatori.
7. Bezvadu ierīci nelietojiet vietās, kur tuvumā atrodas automātiskas ierīces. Ja lietojat, tad automātisko ierīču darbībā var rasties traucējumi vai kļūdas.
8. Neizmantojiet bezvadu ierīci vietā, kur ir augsta temperatūra vai var veidoties statiskā elektrība vai elektriskais troksnis.
9. Bezvadu ierīce var radīt elektromagnētiskos laukus (EML), bet tie nav lietotājam kaitīgi.
10. Bezvadu ierīce ir precīzs instruments. Uzmanieties, lai bezvadu ierīce nenokristu un nekur neietriektos.
11. Bezvadu ierīces izvadām nepieskarieties ar kailām rokām vai metāliskiem materiāliem.
12. Kad uzstādāt bezvadu ierīci, vienmēr izņemiet darbarīka akumulatoru.
13. Verot vaļā atveres pārsegu, izvairieties no vietas, kur atverē var iekļūt putekļi un ūdens. Atveres ieeju vienmēr turiet tīru.
14. Bezvadu ierīci vienmēr ievietojiet pareizajā virzienā.
15. Bezvadu ierīces bezvadu sistēmas aktivizēšanas pogu nospiediet pārāk stipri un/vai nospiediet pogu ar priekšmetu, kam ir asas malas.
16. Lietojot ierīci, vienmēr aizveriet atveres pārsegu.
17. Kamēr darbarīks ir pieslēgts pie strāvas, neatvienojiet bezvadu ierīci no atveres. Ja atvienojat, var rasties traucējumi bezvadu ierīces darbībā.
18. No bezvadu ierīces nenoplēšiet uzlīmi.
19. Uz bezvadu ierīces nelīmējiet nekādas uzlīmes.
20. Neatstājiet bezvadu ierīci vietā, kur var veidoties statiskā elektrība vai elektriskais troksnis.
21. Bezvadu ierīci neatstājiet vietās, kur varētu būt liels karstums, piemēram, automobilī, kas atstāts saulē.
22. Bezvadu ierīci neatstājiet putekļainā vai ar pulveri nokaisītā vietā vai vietā, kur var rasties kodīga gāze.
23. Pēkšņas temperatūras izmaiņas var radīt mitrumu uz ierīces. Bezvadu ierīci lietojiet tikai tad, kad mitrums pilnībā izžuvis.
24. Kad tīrāt bezvadu ierīci, uzmanīgi slaukiet to ar sausu, mīkstu drānu. Nelietojiet benzīnu, atšķaidītāju, vadītspējīgas smērvielas vai līdzīgas vielas.
25. Kad bezvadu ierīci noliekat glabāšanai, ielieciet to komplekta ietvarā vai nestatiskā konteinerā.
26. Darbarīka atverē ievietojiet tikai Makita bezvadu ierīci.
27. Neizmantojiet darbarīku, ja tā atveres pārsegs ir bojāts. Ūdens, putekļu un netīrumu iekļūšana atverē var radīt darbības traucējumus.
28. Bez nepieciešamības nevelciet un/vai negroziet atveres pārsegu. Ja pārsegs atdalās no darbarīka, piestipriniet to.
29. Ja atveres pārsegs ir pazaudēts vai bojāts, nomainiet to.

SAGLABĀJIET ŠOS NORĀDĪJUMUS.

FUNKCIJU APRAKSTS

⚠UZMANĪBU: Pirms darbarīka regulēšanas vai tā darbības pārbaudes vienmēr pārliecinieties, ka darbarīks ir izslēgts un akumulatora kasetne ir izņemta.

Akumulatora kasetnes uzstādīšana un izņemšana

⚠UZMANĪBU: Vienmēr pirms akumulatora kasetnes uzstādīšanas vai noņemšanas izslēdziet darbarīku.

⚠UZMANĪBU: Uzstādot vai izņemot akumulatora kasetni, darbarīku un akumulatora kasetni turiet cieši. Ja darbarīku un akumulatora kasetni netur cieši, tie var izkrist no rokām un radīt bojājumus darbarīkam un akumulatora kasetnei, kā arī izraisīt ievainojumus.

Lai uzstādītu akumulatora kasetni, salāgojiet akumulatora kasetnes mēlīti ar rievu ietvarā un iebīdīet to vietā. Ievietojiet to līdz galam, līdz tā ar klikšķi noklīkst. Ja redzams atbēlā parādītais sarkanais krāsas indikators, tas nozīmē, ka tas nav pilnīgi noklīkst.

Lai izņemtu akumulatora kasetni, izvelciet to no darbarīka, pārbīdot kasetnes priekšpusē esošo pogu.

► **Att.7:** 1. Sarkanais krāsas indikators 2. Poga 3. Akumulatora kasetne

⚠UZMANĪBU: Vienmēr ievietojiet akumulatora kasetni tā, lai sarkanais indikators nebūtu redzams. Pretējā gadījumā tā var nejauši izkrist no darbarīka un izraisīt jums vai apkārtējiem traumas.

⚠UZMANĪBU: Neievietojiet akumulatora kasetni ar spēku. Ja kasetne neslīd ietvarā viegli, tā nav pareizi ielikta.

PIEZĪME: Darbarīks nedarbojas ar tikai vienu akumulatora kasetni.

Darbarīka/akumulatora aizsardzības sistēma

Darbarīks ir aprīkots ar darbarīka/akumulatora aizsardzības sistēmu. Šī sistēma automātiski izslēdz jaudas padevi motoram, lai pagarinātu darbarīka un akumulatora kalpošanas laiku. Darbarīks automātiski pārstājas darboties ekspluatācijas laikā, ja darbarīku vai akumulatoru pakļaus kādam no šiem apstākļiem. Dažu apstākļu gadījumā izgaismojas indikatori.

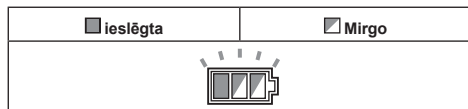
Aizsardzība pret pārslodzi

Ja darbarīku lieto tā, ka tas patērē pārmērīgi lielu strāvas daudzumu, darbarīks automātiski pārstājas darboties. Šādā gadījumā izslēdziet darbarīku un pārtrauciet darbību, kas izraisīja darbarīka pārslodzi. Tad ieslēdziet

darbarīku, lai atsāktu darbu.

Aizsardzība pret pārkaršanu

Kad darbarīks ir pārkaršis, tas automātiski pārstāj darboties, un apmēram 60 sekundes mirgo akumulatora indikators. Šādā gadījumā ļaujiet darbarīkam atdzist, pirms atkārtotas darbarīka ieslēgšanas.



Aizsardzība pret akumulatora pārmērīgu izlādi

Kad akumulatora jauda ir zema, darbarīks automātiski pārstāj darboties. Ja darbarīks nedarbojas, pat ieslēdzot slēdžus, no darbarīka izņemiet akumulatoru un veiciet akumulatoram uzlādi.

Atlikušās akumulatora jaudas indikators

► **Att.8:** 1. Akumulatora indikators (augšējam akumulatoram) 2. Pārbaudes poga 3. Akumulatora indikators (apakšējam akumulatoram)

Nospiediet pārbaudes pogu, lai pārbaudītu akumulatora atlikušo jaudu. Akumulatora indikatori atbilst katram akumulatoram.

Akumulatora indikatora stāvoklis			Atlikušā akumulatora jauda
ieslēgts	izslēgts	Mirgo	
			No 50% līdz 100%
			No 20% līdz 50%
			No 0% līdz 20%
			Akumulatora uzlāde

Atlikušās akumulatora jaudas indikators

Tikai akumulatora kasetnēm ar indikatoru

Nospiediet akumulatora kasetnes pārbaudes pogu, lai pārbaudītu akumulatora atlikušo uzlādes līmeni. Indikatoru iedegsies uz dažām sekundēm.

► **Att.9:** 1. Indikatora lampas 2. Pārbaudes poga

Indikatora lampas			Atlikušā jauda
ieslēdzies	izslēgts	Mirgo	
			No 75% līdz 100%
			No 50% līdz 75%
			No 25% līdz 50%
			No 0% līdz 25%
			Uzlādējiet akumulatoru.
			Iespējama akumulatora kļūme.

PIEZĪME: Reālā jauda var nedaudz atšķirties no norādītās atkarībā no lietošanas apstākļiem un apkārtējās temperatūras.

PIEZĪME: Akumulatora aizsardzības sistēmas darbības laikā mirgo pirmais (kreisais malējais) indikators.

Automātiskā ātruma maiņas funkcija

PIEZĪME: Automātisko ātruma maiņas funkciju var iespējot tikai tad, ja ātruma pielāgošanas ciparnīcā iestatīts 5.

Šim darbarīkam ir "liela ātruma režīms" un "liela griezes momenta režīms".

Darbarīks atbilstoši darba slodzei automātiski maina darbības režīmu. Kad darba slodze ir maza, darbarīks darbojas "liela ātruma režīmā", lai nodrošinātu ātrāku zāģēšanu. Kad darba slodze ir liela, darbarīks darbojas "liela griezes momenta režīmā", lai nodrošinātu lielāku zāģēšanas jaudu.

► **Att.10:** 1. Režīma indikators

Kad darbarīks darbojas "liela griezes momenta režīmā", iedegas režīma indikators.

Ja darbarīks būs pakļauts pārmērīgai slodzei, režīma indikators mirgos zaļā krāsā. Samazinot darbarīka slodzi, režīma indikators pārstās mirgot un tad iedegsies vai izslēgsies.

Režīma indikatora stāvoklis			Darbības režīms
ieslēgts	izslēgts	Mirgo	
			Liela darbības ātruma režīms
			Liela griezes momenta režīms
			Bridinājums par pārslodzi

Griezuma dziļuma regulēšana

⚠ UZMANĪBU: Pēc zāģējuma dziļuma noregulēšanas vienmēr cieši pievelciet saspiedējskrūvi.

Atbrīvojiet dziļuma vadotnes saspiedējskrūvi un pārvietojiet asmens apakšējās robežas aizturi līdz vēlamajam dziļumam uz skalas plāksnes. Pie vēlamā zāģējuma dziļuma cieši pievelciet saspiedējskrūvi.

Lai zāģēšana būtu tīrāka un drošāka, uzstādiet zāģēšanas dziļumu tā, lai ne vairāk kā viens asmens zobos būtu redzams zem apstrādājamā materiāla. Izmantojot pareizu zāģēšanas dziļumu, iespējams samazināt bīstamus ATŠITIENUS, kas var izraisīt ievainojumus.

- **Att.11:** 1. Asmens apakšējās robežas aizturis
2. Saspiedējskrūve

Ātrās apturēšanas poga 2 līdz 3 mm zāģējuma dziļumam, izmantojot vadsliedi (papildu piederums)

Ja izmanto vadsliedi, šim darbarīkam uz korpusa aizmugurējā roktura malā ir ātrās apturēšanas poga 2 līdz 3 mm zāģējuma dziļumam. To lieto, lai novērstu skabargu veidošanos apstrādājamā materiāla zāģējumā. Veiciet pirmo iezāģējumu 2 līdz 3 mm, pēc tam veiciet vēl vienu parasto iezāģējumu.

- **Att.12:** 1. Ātrās apturēšanas poga

Lai iegūtu 2 līdz 3 mm dziļu iezāģējumu, iespiediet ātrās apturēšanas pogu zāģa asmens virzienā. Tā var novērst skabargu veidošanos uz apstrādājamā materiāla.

Lai atbrīvotu zāģējuma dziļuma pozīciju un panāktu brīvu zāģēšanas dziļumu, vienkārši atvelciet pogu atpakaļ.

Slīpā zāģēšana

Atļaidiet saspiedēja skrūves. Iestatiet vēlamo leņķi, attiecīgi noliecot, pēc tam cieši pievelciet saspiedējskrūves.

- **Att.13:** 1. Saspiedējskrūve 2. Slīpā leņķa skalas plāksne

- **Att.14:** 1. Pamatnes pagarinātājs (Papildu piederumi) 2. Saspiedējskrūve

Pozitīvais sprūds

Ierobežotājbalstu izmanto, kad ātri jāiestata vajadzīgais leņķis. Pagrieziet ierobežotājbalstu tā, lai uz tā attēlotā bulta norādītu uz 22,5°. Izskrūvējiet saspiedējskrūves gan priekšpusē, gan aizmugurē. Pēc tam sagāziet asmeni, līdz tas apstājas un nostipriniet pamatni ar saspiedējskrūvēm.

- **Att.15:** 1. Pozitīvais sprūds 2. Saspiedējskrūve

48° slīpleņķa zāģēšana

Lai veiktu 48° slīpleņķa zāģēšanu, atbrīvojiet saspiedējskrūves un līdz galam nolieci sviru attēlā redzamās bultas virzienā. Pēc tam iestatiet 48° slīpleņķi un pievelciet saspiedējskrūves.

- **Att.16:** 1. Svira

-1° slīpleņķa zāģēšana

Lai veiktu -1° slīpleņķa zāģēšanu, atbrīvojiet saspiedējskrūves un spiedi sviras attēlā redzamās bultas virzienā. Pēc tam iestatiet -1° slīpleņķi un pievelciet saspiedējskrūves.

- **Att.17:** 1. Svira

Mērķēšana

- **Att.18:** 1. Pamatne

Zāģēšanas līnija atšķiras atkarībā no zāģēšanas leņķa un vadsliedes izmantošanas (papildu piederums).

Izmantojot darbarīku bez vadsliedes

Lai zāģētu taisni, savietojiet A stāvokli uz pamatnes priekšējās daļas ar vajadzīgo zāģēšanas līniju. Lai zāģētu 45° slīpleņķi, savietojiet ar to B stāvokli.

Izmantojot darbarīku ar vadsliedi

Gan taisnajai zāģēšanai, gan 45° slīpleņķa zāģēšanai A pozīciju pamatnes priekšpusē vienmēr pielīdziniet zāģēšanas līnijai.

Slēdža darbība

⚠ BRĪDINĀJUMS: Pirms akumulatora kasetnes uzstādīšanas darbarīkā vienmēr pārbaudiet, vai slēdža mēlīte darbojas pareizi un pēc atļaišanas atgriežas stāvoklī „OFF” (Izslēgts).

⚠ BRĪDINĀJUMS: NEKAD neizjauciet atbloķēšanas pogu, to neaplīmējiet un citādāk nepārveidojiet. Slēdzis ar izjauktu atbloķēšanas pogu var izraisīt neparedzētu darbību un radīt smagas traumas.

⚠ BRĪDINĀJUMS: NEKAD nelietojiet darbarīku, ja tas ieslēdzas tikai pēc slēdža mēlītes pavilksanas un nav jānospiež atbloķēšanas poga. Slēdzis, ko nepieciešams labot, var izraisīt neparedzētu darbību un radīt nopietnus ievainojumus. PIRMS turpmākas ekspluatācijas nododiet darbarīku Makita apkopes centrā, lai to atbilstīgi saremontētu.

Lai slēdža mēlīti nevarētu pavilkst nejauši, darbarīks aprīkots ar bloķēšanas pogu. Lai iedarbinātu darbarīku, nospiediet atbloķēšanas pogu un pavelciet slēdža mēlīti. Lai apturētu darbarīku, atļaidiet slēdža mēlīti.

- **Att.19:** 1. Slēdža mēlīte 2. Atbloķēšanas poga

IEVĒRĪBAI: Nevelciet slēdža mēlīti ar spēku, neiespiežot atbloķēšanas pogu uz iekšu. Rezultātā var tikt sabojāts slēdzis.

Ātruma regulēšanas gredzens

Darbarīka ātrumu var regulēt, griežot regulēšanas gredzenu. Asmens apgriezīgu ātrums palielinās, palielinot ciparu uz regulēšanas gredzenu.

- **Att.20:** 1. Ātruma regulēšanas gredzens

Lai izvēlētos attiecīgi priekšmetam apstrādei atbilstošu ātrumu, skatiet tabulu. Tomēr atbilstošais ātrums var atšķirties atkarībā no apstrādājamā materiāla veida vai biežuma. Kopumā – ar lielāku ātrumu apstrādājamo materiālu var sazāģēt ātrāk, taču samazinās asmens darbmūžs.

Cipars	Asmens apgriezīgu ātrums (min ⁻¹)
1	2 500 min ⁻¹
2	2 900 min ⁻¹
3	3 900 min ⁻¹
4	4 900 min ⁻¹
5	6 300 min ⁻¹

⚠UZMANĪBU: Ātruma regulēšanas gredzens nav domāts, lai izmantotu zāga asmeņus ar mazu nominālo ātrumu, bet lai iegūtu apstrādājamā priekšmeta materiālam piemērotu ātrumu. Izmantojiet tikai tādus zāga asmeņus, kuru nominālais brīvgaitas ātrums ir vismaz tāds pats kā maksimālais brīvgaitas ātrums, kas norādīts sadaļā **TEHNISKIE DATI**.

IEVĒRĪBAI: Ātruma regulēšanas gredzenu var griezt tikai diapazonā no 1 līdz 5. Lai nesabojātu ātruma regulēšanas funkcijas darbību, nemēģiniet ar spēku to pagriezt tālāk aiz 5 vai 1.

Elektroniskā funkcija

Instrumenti, kuriem ir elektroniskā funkcija, ir viegli lietojami, jo tiem ir tālāk minētās īpašības.

Pārslodzes aizsardzības ierīce

Kad darbarīks ir pārslodgots un strāvas plūsma pārsniedz noteiktu līmeni, darbarīks automātiski apstājas, lai aizsargātu motoru.

Nemainīga ātruma vadība

Elektroniskā ātruma vadība nemainīga ātruma nodrošināšanai. Nodrošina iespēju iegūt labi apstrādātu virsmu, jo apgriezīgu ātrums tiek saglabāts nemainīgs pat lielas slodzes apstākļos.

Laidenās palaišanas funkcija

Laidena palaišana, kas slāpē ieslēgšanas radīto triecienu.

MONTĀŽA

⚠UZMANĪBU: Pirms darbarīka regulēšanas vai apkopes vienmēr pārlicinieties, ka darbarīks ir izslēgts un akumulatora kasetne ir izņemta.

Sešstūru uzgriežņu atslēgas uzglabāšana

Kad sešstūrveida uzgriežņu atslēga netiek lietota, glabājiet to, kā parādīts, lai atslēgu nepazaudētu.

► **Att.21:** 1. Sešstūru uzgriežņu atslēga

Ripzāga asmens noņemšana vai uzstādīšana

⚠UZMANĪBU: Pārbaudiet, vai ripzāga asmens ir uzstādīts tā, ka tā zobi vērsti augšup pret darbarīka priekšpusi.

⚠UZMANĪBU: Uzstādiet vai noņemiet ripzāga asmeni tikai ar Makita uzgriežņu atslēgu.

Lai noņemtu ripzāga asmeni, izpildiet norādītās darbības.

1. Nospiediet atbloķēšanas pogu un mazliet nolaidiet rokturi. Pagrieziet bloķēšanas sviru un nolaidiet rokturi, līdz fiksācijas tapa ievietojas caurumā.

► **Att.22:** 1. Bloķēšanas poga 2. Bloķēšanas svira 3. Fiksācijas tapa 4. Fiksācijas tapai paredzētais caurums

2. Nospiediet vārpstas bloķētāju līdz galam, lai asmens nevarētu griezties, un ar sešstūru uzgriežņatslēgu izskrūvējiet sešstūrgalvas bultskrūvi.

► **Att.23:** 1. Vārpstas bloķētājs 2. Sešstūru uzgriežņatslēga 3. Pievilkt 4. Atlaist

3. Izskrūvējiet sešstūrgalvas bultskrūvi, ārējo atloku un ripzāga asmeni.

► **Att.24:** 1. Sešstūrgalvas bultskrūve 2. Ārējais atloks 3. Iekšējais atloks 4. Ripzāga asmens

⚠BRĪDINĀJUMS: Ja iekšējais atloks ir noņemts, obligāti uzlieciet to atkal uz vārpstas. Veicot montāžu, izvēlieties pareizo pusi, kurā izcilnis pilnībā atbilst zāga asmens atverei. Nepareizajā pusē ievietots asmens var izraisīt bīstamas vibrācijas.

Lai ripzāga asmeni uzstādītu, noņemšanas darbības izpildiet pretējā secībā. Nospiediet bloķēšanas pogu, lai izņemtu fiksācijas tapu no cauruma.

⚠BRĪDINĀJUMS: SEŠSTŪRGALVAS BULTSKRŪVE JĀPIEVĒLK CIEŠI. Tāpat uzmanieties, lai nepievilktu skrūvi ar pārmērīgu spēku. Rokas noslīdēšana no sešstūru uzgriežņu atslēgas var radīt traumu.

Asmens aizsarga tīrīšana

Mainot ripzāga asmeni, noteikti notīriet arī uzkrājušās zāgu skaidas no asmens aizsarga, kā aprakstīts sadaļā "Apkope". Šīs darbības nevar aizvietot aizsarga darbības pārbaudi pirms katras lietošanas reizes.

Putekļsūcēja pievienošana

Papildu piederumi

Ja vēlaties tīru zāgējumu, darbarīkam pievienojiet "Makita" putekļsūcēju. Putekļsūcēja šļūteni pievienojiet putekļsūcēja uzgalim, izmantojot priekšējās uzmavas 24.

► **Att.25:** 1. Putekļsūcēja šļūtene 2. Priekšējās uzmavas 24 3. Putekļsūcēja uzgalis

EKSPLUATĀCIJA

⚠UZMANĪBU: Vienmēr saudzīgi virziet darbarīku uz priekšu taisnā līnijā. Ja darbarīku spēcīgi spiedīsīt vai grozīsīt, motors var pārkarst un iespējams radīt bīstamu atsitienu, kas var izraisīt smagas traumas.

⚠UZMANĪBU: Zāgējot daļas, nekad netuviniet ķermeņa daļas darbarīka pamatnei, jo īpaši zāgēšanas sākumā. Tāda rīcība var radīt smagus miesas bojājumus. Zem darbarīka pamatnes asmens ir atsegtas.

PIEZĪME: Ja akumulatora kasetnes temperatūra ir zema, darbarīks var neizmantot pilnu akumulatora nominālo ietilpību. Tādā gadījumā izmantojiet darbarīku nelielām zāgēšanas darbībām, kamēr akumulatora kasetne uzsilst līdz istabas temperatūrai. Tad darbarīks varēs izmantot pilnu akumulatora ietilpību.

Daļas zāgēšana (parastā zāgēšana)

► **Att.26**

Turiet darbarīku cieši. Darbarīkam ir gan priekšējais, gan aizmugurējais rokturis. Darbarīka satveršanai izmantojiet abus. Ar abām rokām turot zāgi, ripzāga asmens nevar iezāgēt rokās. Pamatni uz apstrādājamā materiāla novietojiet tā, lai ripzāga asmens ar to nesaskartos. Pēc tam iespiediet uz iekšu bloķēšanas pogu un pavelciet slēdža mēlīti. Nogaidiet, līdz ripzāga asmens sasniedz pilnu ātrumu. Tagad nospiediet zāga galvu lejup līdz iepriekš iestatītajam zāgēšanas dziļumam un vienkāšī virziet darbarīku pāri apstrādājamā materiāla virsmai, turot to līdzēni un pārvietojot uz priekšu vienmērīgi, līdz materiāls ir pārzāgēts. Lai zāgēšana būtu precīza, saglabājiet zāgēšanas līniju taisnu un virzīšanas ātrumu vienmērīgu. Ja zāģis nezāģē paredzētajā zāģēšanas līnijā, nemēģiniet darbarīku pagriezt vai ar spēku aizstumt atpakaļ uz zāģēšanas līniju. Šāda rīcība var saliekt ripzāga asmeni, izraisot bīstamu atsitienu un potenciāli bīstamu traumu. Atlaidiet slēdži, nogaidiet, līdz ripzāga asmens pārstāj darboties, tad izņemiet darbarīku no zāģējuma. Darbarīku ievietojiet jaunajā zāģējuma līnijā un sāciet jaunu zāģējumu. Centieties izvairīties no tāda zāģa stāvokļa, kad skaidas un koksnes putekļi lido virzienā uz operatoru. Lai netraumētu acis, izmantojiet acu aizsarglīdzekļus.

Vadsliede

Papildu piederumi

Novietojiet darbarīku vadsliedes aizmugurējā galā. Pagrieziet divas regulēšanas skrūves uz darbarīka pamatnes, lai darbarīks slīdētu gludi, bez grabēšanas. Stingri turiet darbarīka priekšējo un aizmugurējo rokturi. Pagrieziet darbarīku, nospiediet darbarīku lejup līdz iepriekš iestatītajam zāģēšanas dziļumam un virziet skabargu aizmuri visā līnijas garumā. Skabargu aizmura mala atbilst zāģēšanas malai.

► **Att.27:** 1. Regulēšanas skrūves

Veicot slīpenķa zāģēšanu ar vadsliedi, izmantojiet slīdes sviru, lai novērstu darbarīka apgāšanos. Pārvietojiet slīdes sviru uz darbarīka pamatnes bultas

virzienā, lai tā iekeras vadsliedes grupē zāģējuma apakšpusē.

► **Att.28:** 1. Slīdes svira

Pamatnes pagarinātājs (vadotnes lineāls)

Papildu piederumi

Izmantojot pamatnes pagarinātāju kā vadotnes lineālu, varat veikt ļoti precīzus, taisnus zāģējumus. Atbrīvojiet saspiedējskrūves un izbīdiat pamatnes pagarinātāju no darbarīka, pēc tam ievietojiet to ar apakšpusi augšup.

► **Att.29:** 1. Saspiedējskrūve 2. Pamatnes pagarinātājs

Vienkāšī bīdiat pamatnes pagarinātāja ierobežotāju cieši klāt apstrādājamā materiāla malai un nostipriniet to paredzētajā vietā ar saspiedējskrūvi. Tādējādi iespējams atkārtoti veikt vienāda platuma zāģējumus.

► **Att.30:** 1. Saspiedējskrūve 2. Pamatnes pagarinātājs

Iezāģēšana (izzāģēšana)

⚠BRĪDINĀJUMS: Lai izvairītos no atsitienu, noteikti ievērojiet šos norādījumus.

► **Att.31:** 1. Darbarīka pamatnes aizmugures mala 2. Fiksēts apstāšanās punkts

Lietojot darbarīku bez vadsliedes, novietojiet uz apstrādājamā materiāla darbarīku ar pamatnes aizmugurējo malu pret fiksētu apstāšanās punktu vai tā ekvivalentu, ko noteicis operators.

Lietojot darbarīku ar vadsliedi, novietojiet uz vadsliedes darbarīku ar pamatnes aizmugurējo malu pret fiksētu apstāšanās punktu vai tā ekvivalentu, kas fiksēts ar skavām pie vadsliedes.

Ar vienu roku cieši turiet darbarīka priekšējo rokturi un ar otru roku – darbarīka rokturi. Pēc tam iespiediet atbloķēšanas pogu un ieslēdziet darbarīku, un nogaidiet, līdz asmens sasniedz pilnu ātrumu. Tagad nospiediet lejup zāga galvu līdz iepriekš iestatītajam zāģēšanas dziļumam un vienkāšī virziet darbarīku uz priekšu līdz vajadzīgajai iezāģēšanas pozīcijai.

PIEZĪME: Atzīmes asmens aizsarga malās parāda priekšējos un aizmugurējos zāģa asmens zāģēšanas punktus maksimālajā zāģēšanas dziļumā un izmantojot virzošo sliedi.

► **Att.32:** 1. Priekšējais zāģēšanas punkts 2. Aizmugurējais zāģēšanas punkts

Virzītājs

Papildu piederumi

Slīpuma virzītājs nodrošina iespēju veikt precīzus zāģējumus leņķī stūros un apdares darbiem. Izmantojot skavas, apstrādājamo materiālu var cieši piestiprināt pie galdā.

BEZVADU SISTĒMAS AKTIVIZĒŠANAS FUNKCIJA

Tikai modelim DSP601

Iespējas, ko sniedz bezvadu sistēmas aktivizēšanas funkcija

Bezvadu sistēmas aktivizēšanas funkcija nodrošina tūru un ērtu darbību. Pieslēdzot atbilstošu putekļu sūcēju darbarīkam, putekļu sūcēju iespējams darbināt automātiski kopā ar darbarīka pārslēgšanas darbību.

► Att.33

Lai izmantotu bezvadu sistēmas aktivizēšanas funkciju, sagatavojiet ierīces.

- Bezvadu ierīci (papildu piederums)
- Putekļu sūcēju, kas atbalsta bezvadu sistēmas aktivizēšanas funkciju

Bezvadu sistēmas aktivizēšanas funkcijas iestatīšanas kopsavilkums. Plašāk par darbībām skatiet šajās sadaļās.

1. Bezvadu ierīces uzstādīšana
2. Darbarīka reģistrācija putekļu sūcējam
3. Bezvadu sistēmas aktivizēšanas funkcijas startēšana

Bezvadu ierīces uzstādīšana

Papildu piederumi

⚠UZMANĪBU: Kad uzstādāt bezvadu ierīci, darbarīku nolieciet uz līdzenas un stabilas virsmas.

IEVĒRĪBAI: Pirms bezvadu ierīces uzstādīšanas no darbarīka noīrieties putekļus un neīrums. Ja bezvadu ierīces atverē iekļūst putekļi vai neīrums, tie var izraisīt darbības traucējumus.

IEVĒRĪBAI: Lai novērstu statiskās enerģijas radītos darbības traucējumus, pirms bezvadu ierīces pacelšanas pieskarieties statisko enerģiju izlādējošam materiālam, piemēram, darbarīka metālskakai daļai.

IEVĒRĪBAI: Uzstādot bezvadu ierīci, vienmēr pārliecinieties, ka bezvadu ierīce ievietota pareizajā virzienā, un pārsegs ir pilnībā aizvērts.

1. Atveriet darbarīka pārsegu, kā parādīts attēlā.
► **Att.34:** 1. Pārsegs
2. Bezvadu ierīci pievienojiet atverei un aizveriet pārsegu.
Pievienojot bezvadu ierīci, izvirkzījumus savietojiet ar padziļinājuma vietām uz atveres.
► **Att.35:** 1. Bezvadu ierīce 2. Izvirkzījums 3. Pārsegs 4. Padziļinājuma daļa

Noņemot bezvadu ierīci, pārsegu atveriet lēni. Ar āķiem pārsega aizmugurē bezvadu ierīce pacelsies līdz ar pārsega atvēršanu.

- **Att.36:** 1. Bezvadu ierīce 2. Āķis 3. Pārsegs

Pēc bezvadu ierīces noņemšanas glabājiet to komplekta ietvarā vai nestatiskā konteinerā.

IEVĒRĪBAI: Noņemot bezvadu ierīci, vienmēr izmantojiet āķus pārsega aizmugurē. Ja āķi nesatver bezvadu ierīci, tad pārsegu aizveriet un lēni atkal atveriet.

Darbarīka reģistrācija putekļu sūcējam

PIEZĪME: Lai reģistrētu darbarīku, nepieciešams Makita putekļu sūcējs, kas atbalsta bezvadu sistēmas aktivizēšanas funkciju.

PIEZĪME: Vispirms pabeidziet bezvadu ierīci uzstādīt darbarīkam, tikai tad sāciet darbarīka reģistrāciju.

PIEZĪME: Darbarīka reģistrācijas laikā nenospiediet slēdža mēlīti un nenospiediet ieslēgšanas slēdzi uz putekļu sūcēja.

PIEZĪME: Skatiet arī putekļu sūcēja lietošanas rokasgrāmatu.

Ja putekļu sūcēju vēlaties aktivizēt reizē ar darbarīka pārslēgšanas darbību, vispirms pabeidziet darbarīka reģistrāciju.

1. Putekļu sūcējā un darbarīkā ielieciet akumulatorus.
2. Gaidstāves slēdzi uz putekļu sūcēja pārslēdziet pozīcijā „AUTO”.
► **Att.37:** 1. Gaidstāves slēdzis

3. Nospiediet bezvadu sistēmas aktivizēšanas pogu uz putekļu sūcēja un turiet 3 sekundes, līdz bezvadu sistēmas aktivizēšanas lampiņa mirgo zaļā krāsā. Un tad tādā pašā veidā nospiediet bezvadu sistēmas aktivizēšanas pogu uz darbarīka.

- **Att.38:** 1. Bezvadu sistēmas aktivizēšanas poga
2. Bezvadu sistēmas aktivizēšanas lampiņa

Ja putekļu sūcējs un darbarīks savienoti veiksmīgi, bezvadu sistēmas aktivizēšanas lampiņas 2 sekundes degs zaļā krāsā un tad sāks mirgot zilā krāsā.

PIEZĪME: Bezvadu sistēmas aktivizēšanas lampiņas zaļā krāsā beidz mirgot pēc 20 sekundēm. Kamēr uz putekļu sūcēja mirgo bezvadu sistēmas aktivizēšanas lampiņa, nospiediet bezvadu sistēmas aktivizēšanas pogu uz darbarīka. Ja bezvadu sistēmas aktivizēšanas lampiņa nemirgo zaļā krāsā, uz mirkli piespiediet un atkal paturiet nospiestu bezvadu sistēmas aktivizēšanas pogu.

PIEZĪME: Ja vienam putekļu sūcējam reģistrējāt divus vai vairākus darbarīkus, tad darbarīku reģistrāciju pabeidziet secīgi.

Bezvadu sistēmas aktivizēšanas funkcijas startēšana

PIEZĪME: Vispirms pabeidziet darbarīka reģistrāciju putekļu sūcējam, tikai tad aktivizējiet bezvadu sistēmu.

PIEZĪME: Skatiet arī putekļu sūcēja lietošanas rokasgrāmatu.

Kad putekļu sūcējs būs reģistrēts darbarīkam, putekļu

sūcējs automātiski darbosies kopā ar darbarīka pārslēgšanas darbību.

1. Uzstādiēt bezvadu ierīci darbarīkam.
 2. Putekļu sūcēja šļūteni savienojiet ar darbarīku.
► **Att.39**
 3. Gaidstāves slēdzi uz putekļu sūcēja pārslēdziet pozīcijā „AUTO”.
► **Att.40:** 1. Gaidstāves slēdzis
 4. Uz mirkli piespiediet bezvadu sistēmas aktivizēšanas pogu uz darbarīka. Bezvadu sistēmas aktivizēšanas lampiņa iemigosies zilā krāsā.
► **Att.41:** 1. Bezvadu sistēmas aktivizēšanas pogu
2. Bezvadu sistēmas aktivizēšanas lampiņa
 5. Ieslēdziet darbarīku. Pārliecinieties, ka laikā, kad izmantojat darbarīku, putekļu sūcējs darbojas.
- Lai apturētu putekļu sūcēja bezvadu sistēmas

aktivizēšanu, nospiediet bezvadu sistēmas aktivizēšanas pogu uz darbarīka.

PIEZĪME: Bezvadu sistēmas aktivizēšanas lampiņa uz darbarīka beigs mirgot zilā krāsā, kad darbarīks bezdarbībā būs bijis 2 stundas. Šajā gadījumā gaidstāves slēdzi uz putekļu sūcēja pārslēdziet pozīcijā „AUTO” un atkal nospiediet bezvadu sistēmas aktivizēšanas pogu uz darbarīka.

PIEZĪME: Putekļu sūcējs ieslēdzas/izslēdzas ar aizkavi. Kad putekļu sūcējs konstatē darbarīka pārslēgšanas darbību, rodas laika nobīde.








PIEZĪME: Atrašanās vietas un apkārtnējo apstākļu dēļ var atšķirties bezvadu ierīces signāla uztveršanas attālumus.

PIEZĪME: Kad pie viena putekļu sūcēja pieslēgti divi vai vairāki darbarīki, putekļu sūcējs var sākt darboties pat tad, ja jūs neieslēdzat darbarīku, jo bezvadu sistēmas aktivizēšanas funkciju izmanto cits lietotājs.

Bezvadu sistēmas aktivizēšanas lampiņas statusa apraksts

► **Att.42:** 1. Bezvadu sistēmas aktivizēšanas lampiņa

Bezvadu sistēmas aktivizēšanas lampiņa rāda bezvadu sistēmas aktivizēšanas funkcijas statusu. Lampiņas statusa nozīme norādīta tabulā.

Statuss	Bezvadu sistēmas aktivizēšanas lampiņa			Ilgums	Apraksts
	Krāsa	 Deg	 Mirgo		
Gaidstāve	Zila			2 stundas	Putekļu sūcēja bezvadu sistēmas aktivizēšana ir iespējama. Kad darbarīks bezdarbībā būs bijis 2 stundas, lampiņa izslēgsies automātiski.
				Kad darbarīks darbojas.	Putekļu sūcēja bezvadu sistēmas aktivizēšana ir iespējama, darbarīks darbojas.
Darbarīka reģistrācija	Zaļa			20 sekundes	Sistēma ir gatava darbarīka reģistrācijai. Tiek gaidīta putekļu sūcēja reģistrācija.
				2 sekundes	Darbarīka reģistrācija ir pabeigta. Bezvadu sistēmas aktivizēšanas lampiņa sāks mirgot zilā krāsā.
Darbarīka reģistrācijas atcelšana	Sarkana			20 sekundes	Sistēma ir gatava darbarīka reģistrācijas atcelšanai. Tiek gaidīta reģistrācijas atcelšana no putekļu sūcēja puses.
				2 sekundes	Darbarīka reģistrācijas atcelšana ir pabeigta. Bezvadu sistēmas aktivizēšanas lampiņa sāks mirgot zilā krāsā.
Cits	Sarkana			3 sekundes	Bezvadu ierīce saņem strāvu, sāk darboties bezvadu sistēmas aktivizēšanas funkcija.
	Nedeg	-		-	Putekļu sūcēja bezvadu sistēmas aktivizēšana ir apturēta.

Darbarīka reģistrācijas atcelšana putekļu sūcējam

Atceļot darbarīka reģistrāciju putekļu sūcējam, jārikojas šādi.

1. Putekļu sūcējā un darbarīkā ielieciet akumulatorus.
2. Gaidstāves slēdzi uz putekļu sūcēja pārslēdziet pozīcijā „AUTO”.
► **Att.43:** 1. Gaidstāves slēdzis
3. Nospiediet bezvadu sistēmas aktivizēšanas pogu uz putekļu sūcēja un turiet 6 sekundes. Bezvadu sistēmas aktivizēšanas lampiņa nomirgo zaļā krāsā un tad kļūst sarkana. Pēc tam tādā pašā veidā nospiediet bezvadu sistēmas aktivizēšanas pogu uz darbarīka.
► **Att.44:** 1. Bezvadu sistēmas aktivizēšanas pogu

2. Bezvadu sistēmas aktivizēšanas lampiņa

Ja atcelšana notikusi veiksmīgi, bezvadu sistēmas aktivizēšanas lampiņas 2 sekundes degs sarkanā krāsā un sāks mirgot zilā krāsā.

PIEZĪME: Bezvadu sistēmas aktivizēšanas lampiņas sarkanā krāsā beidz mirgot pēc 20 sekundēm. Kamēr uz putekļu sūcēja mirgo bezvadu sistēmas aktivizēšanas lampiņa, nospiediet bezvadu sistēmas aktivizēšanas pogu uz darbarīka. Ja bezvadu sistēmas aktivizēšanas lampiņa nemirgo sarkanā krāsā, uz mirkli piespiediet un atkal paturiet nospiestu bezvadu sistēmas aktivizēšanas pogu.

Traucējummeklēšana bezvadu sistēmas aktivizēšanas funkcijai

Pirms nodošanas remontā vispirms veiciet pārbaudi pats. Ja konstatējat kļūmi, kas nav aprakstīta rokasgrāmatā, nemēģiniet darbarīku izjaukt. Dodieties uz Makita pilnvarotu apkopes centru un remontam vienmēr izmantojiet tikai Makita rezerves daļas.

Neatbilstošas darbības stāvoklis	Iespējamais iemesls (kļūme)	Risinājums
Bezvadu sistēmas aktivizēšanas lampiņa neiedegas/nemirgo.	Bezvadu ierīce darbarīkā nav uzstādīta. Bezvadu ierīce darbarīkā ir uzstādīta nepareizi.	Uzstādiet bezvadu ierīci pareizi.
	Bezvadu ierīces izvads un/vai atvere ir netīra.	Uzmanīgi noslaukiet putekļus un netīrumus no bezvadu ierīces izvada un iztīriet atveri.
	Bezvadu sistēmas aktivizēšanas poga uz darbarīka nav nospiesta.	Uz mirkli piespiediet bezvadu sistēmas aktivizēšanas pogu uz darbarīka.
	Gaidstāves slēdzis uz putekļu sūcēja nav ieslēgts pozīcijā „AUTO”.	Gaidstāves slēdzi uz putekļu sūcēja pārslēdziet pozīcijā „AUTO”.
	Nav strāvas padeves	Pieslēdziet strāvas padevi darbarīkam un putekļu sūcējam.
Neizdodas veiksmīgi pabeigt darbarīka reģistrāciju/darbarīka reģistrācijas atcelšanu.	Bezvadu ierīce darbarīkā nav uzstādīta. Bezvadu ierīce darbarīkā ir uzstādīta nepareizi.	Uzstādiet bezvadu ierīci pareizi.
	Bezvadu ierīces izvads un/vai atvere ir netīra.	Uzmanīgi noslaukiet putekļus un netīrumus no bezvadu ierīces izvada un iztīriet atveri.
	Gaidstāves slēdzis uz putekļu sūcēja nav ieslēgts pozīcijā „AUTO”.	Gaidstāves slēdzi uz putekļu sūcēja pārslēdziet pozīcijā „AUTO”.
	Nav strāvas padeves	Pieslēdziet strāvas padevi darbarīkam un putekļu sūcējam.
	Nepareiza darbība	Uz mirkli piespiediet bezvadu sistēmas aktivizēšanas pogu un atkal veiciet darbarīka reģistrācijas/atcelšanas procedūru.
	Darbarīks un putekļu sūcējs atrodas tālu viens no otra (ārpus signāla uztveršanas zonas).	Darbarīku un putekļu sūcēju novietojiet tuvāk viens otram. Maksimālais signāla uztveršanas attālums ir apmēram 10 m, taču apstākļu ietekmē tas var atšķirties.
	Pirms darbarīka reģistrācijas/atcelšanas pabeigšanas - darbarīka slēdzis ir ieslēgts vai - ieslēgšanas poga uz putekļu sūcēja ir ieslēgta.	Uz mirkli piespiediet bezvadu sistēmas aktivizēšanas pogu un atkal veiciet darbarīka reģistrācijas/atcelšanas procedūru.
	Darbarīka reģistrācijas procedūra darbarīkam vai putekļu sūcējam nav pabeigta.	Vienlaikus veiciet darbarīka reģistrācijas procedūru gan darbarīkam, gan putekļu sūcējam.
	Radio traucējumi no citām iekārtām, kas ģenerē ļoti intensīvus radio viļņus.	Darbarīku un putekļu sūcēju neturiet tādu iekārtu tuvumā kā bezvadu tehnoloģiju (Wi-Fi) ierīces un mikroviļņu krāsnis.

Neatbilstošas darbības stāvoklis	Iespējamais iemesls (klūme)	Risinājums
Putekļu sūcējs nedarbojas kopā ar darbarīka pārslēgšanas darbību.	Bezvadu ierīce darbarīkā nav uzstādīta. Bezvadu ierīce darbarīkā ir uzstādīta nepareizi.	Uzstādiet bezzvadu ierīci pareizi.
	Bezvadu ierīces izvads un/vai atvere ir netīra.	Uzmanīgi noslaukiet putekļus un netīrumus no bezzvadu ierīces izvada un iztīriet atveri.
	Bezvadu sistēmas aktivizēšanas poga uz darbarīka nav nospiesta.	Uz mirkli piespiediet bezzvadu sistēmas aktivizēšanas pogu un pārliecinieties, ka bezzvadu sistēmas lampa mirgo zilā krāsā.
	Gaidstāves slēdzis uz putekļu sūcēja nav ieslēgts pozīcijā „AUTO”.	Gaidstāves slēdzi uz putekļu sūcēja pārslēdziet pozīcijā „AUTO”.
	Pie putekļu sūcēja ir pieslēgti vairāk nekā 10 darbarīki.	Atkārtoti reģistrējiet darbarīku. Ja putekļu sūcējam reģistrēti vairāk nekā 10 darbarīki, automātiski tiks atslēgts vissienāk reģistrētais darbarīks.
	Visu reģistrēto darbarīku iestatījumi ir izdzēsti no putekļu sūcēja.	Atkārtoti reģistrējiet darbarīku.
	Nav strāvas padeves	Pieslēdziet strāvas padevi darbarīkam un putekļu sūcējam.
	Darbarīks un putekļu sūcējs atrodas tālu viens no otra (ārpus signāla uztveršanas zonas).	Darbarīku un putekļu sūcēju novietojiet tuvāk vienu pie otra. Maksimālais signāla uztveršanas attālums ir apmēram 10 m, taču apstākļu ietekmē tas var atšķirties.
	Radio traucējumi no citām iekārtām, kas ģenerē ļoti intensīvus radio viļņus.	Darbarīku un putekļu sūcēju neturiet tādu iekārtu tuvumā kā bezzvadu tehnoloģiju (Wi-Fi) ierīces un mikroviļņu krāsnis.
Putekļu sūcējs darbojas, kamēr darbarīks nedarbojas.	Putekļu sūcēja bezzvadu sistēmas aktivizēšanas funkciju saviem darbarīkiem izmanto citi lietotāji.	Izslēdziet citu darbarīku bezzvadu aktivizēšanas pogu vai atceliet darbarīka reģistrāciju citiem darbarīkiem.

APKOPE

⚠UZMANĪBU: Pirms darbarīka pārbaudes vai apkopes vienmēr pārliecinieties, ka darbarīks ir izslēgts un akumulatora kasetne ir izņemta.

⚠UZMANĪBU: Notīriet uzkrājušās zāģskaidas no aizsarga, jo tās var negatīvi ietekmēt aizsardzības sistēmas darbību. Netīra aizsardzības sistēma var ierobežot pareizu darbību, tādējādi, iespējams, izraisot smagus ievainojumus. Visefektīvāk šo tīrīšanu var veikt ar saspieztu gaisu. **Ja putekļi tiek uzpūsti no aizsarga, noteikti izmantojiet piemērotu acu un elpceļu aizsardzību.**

IEVĒRĪBAI: Nekad neizmantojiet gāzoliņu, benzīnu, atšķaidītāju, spirtu vai līdzīgus šķidrumus. Tas var radīt izbalēšanu, deformāciju vai plaisas.

0° zāģējuma un 45° zāģējuma precizitātes iestatīšana

IEVĒRĪBAI: Iestatot 0° zāģējuma precizitāti, neizmantojiet -1° slīpleņķa zāģēšanai paredzētās sviras.

IEVĒRĪBAI: Iestatot 45° zāģējuma precizitāti, neizmantojiet 48° slīpleņķa zāģēšanai paredzēto sviru.

Šie iestatījumi ir veikti jau rūpnīcā. Taču vajadzības gadījumā varat tos iestatīt, veicot norādītās darbības.

1. Nedaudz atļaidiet saspiedēja skrūves darbarīka

priekšpusē un aizmugurē.

2. Iestatiet asmens leņķi.

► **Att.45:** 1. Trijstūris

Lai iestatītu 0° zāģējuma precizitāti, ar trijstūri vai lekālu, griežot regulēšanas skrūvi, novietojiet pamatni perpendikulāri asmenim.

► **Att.46:** 1. 0° zāģējuma leņķa regulēšanas buļskrūve

Lai iestatītu 45° zāģējuma precizitāti, ar trijstūri, griežot regulēšanas skrūvi, novietojiet pamatni 45° leņķī pret asmeni.

► **Att.47:** 1. 45° zāģējuma leņķa regulēšanas buļskrūve

3. Pievelciet saspiedējskrūves un veiciet pārbaudes zāģējumu.

Lai saglabātu izstrādājuma DROŠU un UZTICAMU darbību, remontdarbus, apkopi un regulēšanu uzticiet veikt tikai Makita pilnvarotam vai rūpnīcas apkopes centram, un vienmēr izmantojiet tikai Makita rezerves daļas.

PAPILDU PIEDERUMI

⚠UZMANĪBU: Šādi piederumi un papildierīces tiek ieteiktas lietošanai ar šajā rokasgrāmātā aprakstīto Makita darbarīku. Izmantojot citus piederumus vai papildierīces, var tikt radīta traumu gūšanas bīstamība. Piederumu vai papildierīci izmantojiet tikai paredzētajam mērķim.

Ja jums vajadzīga palīdzība vai precīzāka informācija

par šiem piederumiem, vērsieties savā tuvākajā Makita apkopes centrā.

- Ripzāģa asmens
- Pamatnes pagarinātājs
- Sešstūru uzgriežņu atslēga
- Vadsliede
- Slīpuma virzītājs
- Skava
- Loksne
- Gumijas loksne
- Pozīcijas loksne
- Bezvadu ierīce (modelim DSP601)
- Makita oriģinālais akumulators un lādētājs

PIEZĪME: Daži sarakstā norādītie izstrādājumi var būt iekļauti instrumenta komplektācijā kā standarta piederumi. Tie dažādās valstīs var būt atšķirīgi.

SPECIFIKACIJOS

Modelis:		DSP600	DSP601
Disko skersmuo		165 mm	
Maks. pjovimo gylis	0° kampu	56 mm	
	esant 45° posvyriui	40 mm	
	esant 48° posvyriui	38 mm	
Be apkrovos		2 500 – 6 300 min ⁻¹	
Bendrasis ilgis		346 mm	
Vardinė įtampa		Nuol. sr. 36 V	
Grynasis svoris		4,4 – 5,1 kg	

- Atliekame tęstinius tyrimus ir nuolatos tobuliname savo gaminius, todėl čia pateikiamos specifikacijos gali būti keičiamos be įspėjimo.
- Įvairiose šalyse specifikacijos ir akumulatoriaus kasetė gali skirtis.
- Svoris gali priklausyti nuo priedo (-ų), įskaitant akumulatoriaus kasetę. Lengviausias ir sunkiausias deriniai pagal EPTA 2014 m. sausio mėn. procedūrą yra parodyti lentelėje.

Tinkama akumulatoriaus kasetė ir (arba) įkroviklis

Akumulatoriaus kasetė	BL1815N / BL1820B / BL1830B / BL1840B / BL1850B / BL1860B
Įkroviklis	DC18RC / DC18RD / DC18RE / DC18SD / DC18SE / DC18SF / DC18SH / DC18WC

- Atsižvelgiant į gyvenamosios vietos regioną, kai kurios pirmiau nurodytos akumulatoriaus kasetės ir įkrovikliai gali būti neprieinami.

⚠️ ĮSPĖJIMAS: Naudokite tik akumulatoriaus kasetes ir įkroviklius, kurie nurodyti anksčiau. Naudojant bet kurias kitas akumulatoriaus kasetes ir įkroviklius, gali kilti sužeidimo ir gaisro pavojus.

Numatytoji naudojimo paskirtis

Įrankis skirtas įleidžiamiesiems pjūviams atlikti. Įrankis taip pat skirtas medžiui prapjauti ir skersiniams pjūviams atlikti. Jei įrankyje įtaisytas tinkamas diskinio pjūklų diskas, įrankiu galima pjauti aliuminį, plastiką, mineralą su plastiko intarpais ir panašias medžiagas.

Triukšmas

Įprastas triukšmo A lygis, nustatytas pagal EN62841-2-5:

Modelis DSP600

Garso slėgio lygis (L_{pA}): 95 dB (A)
 Garso galios lygis (L_{WA}): 103 dB (A)
 Paklaida (K): 3 dB (A)

Modelis DSP601

Garso slėgio lygis (L_{pA}): 95 dB (A)
 Garso galios lygis (L_{WA}): 103 dB (A)
 Paklaida (K): 3 dB (A)

PASTABA: Paskelbta (-os) triukšmo reikšmė (-ės) nustatyta (-os) pagal standartinį testavimo metodą ir jį galima naudoti vienam įrankiui palyginti su kitu.

PASTABA: Paskelbta (-os) triukšmo reikšmė (-ės) taip pat gali būti naudojama (-os) norint preliminariai įvertinti triukšmo poveikį.

⚠️ ĮSPĖJIMAS: Dėvėkite ausų apsaugą.

⚠️ ĮSPĖJIMAS: Faktiškai naudojant elektrinį įrankį, keliamo triukšmo dydis gali skirtis nuo paskelbtos (-ų) reikšmės (-ių), priklausomai nuo būdų, kuriais yra naudojamas šis įrankis, ir ypač nuo to, kokio tipo ruošinys apdirbamas.

⚠️ ĮSPĖJIMAS: Siekdami apsaugoti operatorių, būtinai įvertinkite saugos priemones, remdamiės vibracijos poveikio įvertinimu esant faktinėms naudojimo sąlygoms (atsižvelgdami į visas darbo ciklo dalis, pavyzdžiui, ne tik kiek laiko įrankis veikia, bet ir kiek kartų jis yra išjungiamas bei kai jis veikia be apkrovų).

Vibracija

Vibracijos bendroji vertė (traišio vektorius suma) nustatyta pagal EN62841-2-5 standartą:

Modelis DSP600

Darbo režimas: medžio pjovimas
 Vibracijos emisija ($a_{h,w}$): 2,5 m/s² arba mažiau
 Paklaida (K): 1,5 m/s²

Darbo režimas: metalo pjovimas
 Vibracijos emisija ($a_{h,w}$): 2,5 m/s² arba mažiau
 Paklaida (K): 1,5 m/s²

Modelis DSP601

Darbo režimas: medžio pjovimas
 Vibracijos emisija ($a_{h,w}$): 2,5 m/s² arba mažiau

Paklaida (K): 1,5 m/s²

Darbo režimas: metalo pjovimas

Vibracijos emisija (a_{h,M}): 2,5 m/s² arba mažiau

Paklaida (K): 1,5 m/s²

PASTABA: Paskelbta (-os) vibracijos bendroji (-osios) reikšmė (-ės) nustatyta (-os) pagal standartinį testavimo metodą ir jį galima naudoti vienam įrankiui palyginti su kitu.

PASTABA: Paskelbta (-os) vibracijos bendroji (-osios) reikšmė (-ės) taip pat gali būti naudojama (-os) norint preliminariai įvertinti vibracijos poveikį.

⚠️ ĮSPĖJIMAS: Faktiškai naudojant elektrinį įrankį, keliamos vibracijos dydis gali skirtis nuo paskelbtos (-ų) reikšmės (-ių), priklausomai nuo būdų, kuriais yra naudojamas šis įrankis, ir ypač nuo to, kokio tipo ruošinys apdirbamas.

⚠️ ĮSPĖJIMAS: Siekdami apsaugoti operatorių, būtinai įvertinkite saugos priemones, remdamiis vibracijos poveikio įvertinimu esant faktinėms naudojimo sąlygoms (atsižvelgdami į visas darbo ciklo dalis, pavyzdžiui, ne tik kiek laiko įrankis veikia, bet ir kiek kartų jis yra išjungiamas bei kai jis veikia be apkrovų).

Atitikties deklaracijos

Tik Europos šalims

Atitikties deklaracijos įtrauktos į šios naudojimo instrukcijos A priedą.

SAUGOS ĮSPĖJIMAI

Bendrieji įspėjimai dirbant elektriniais įrankiais

⚠️ ĮSPĖJIMAS Perskaitykite visus saugos įspėjimus, nurodymus, peržiūrėkite paveikslėlius ir technines sąlygas, pateiktas su šiuo elektriniu įrankiu. Nesilaikant toliau pateiktų nurodymų, galima patirti elektros šoką, sunkų sužalojimą ir (arba) sukelti gaisrą.

Išsaugokite visus įspėjimus ir instrukcijas, kad galėtumėte jas peržiūrėti ateityje.

Terminas „elektrinis įrankis“ pateiktuose įspėjimuose reiškia į maitinimo tinklą jungiamą (laidinį) elektrinį įrankį arba akumuliatoriaus maitinamą (belaidį) elektrinį įrankį.

Įspėjimai dėl akumuliatorinio diskinio pjūklo saugos

Pjovimo darbų tvarka

- ⚠️ PAVOJUS:** rankas laikykite kuo toliau nuo pjovimo vietos ir geležtės. Kitą ranką laikykite ant pagalbinės rankenos arba variklio korpuso. Jei pjūklą laikysite abiem rankomis, geležtė negalės jį įpjauti.
- Nekiškite rankų po ruošiniu.** Po ruošiniu apsauginis įtaisas negali apsaugoti jūsų nuo geležtės.

- Pjovimo gylį sureguliuokite pagal ruošinio storį.** Po ruošiniu turi matytis mažiau nei vienas visas geležtės dantis.
- Pjaudami ruošinio jokiū būdu nelaiykite rankose ar tarp kojų.** Ruošinį pritvirtinkite prie stabiliaus darbastalio. Labai svarbu tinkamai paremti ruošinį, kad kiltų kuo mažiau pavojų kūnui, kad nelinktų diskas ir kad neprarastumėte kontrolės.

► Pav.1

- Laikykite elektrinį įrankį už izoliuotų paviršių, jei pjovimo įrankis gali paliesti nematomus laidus.** Jei tvirtinimo detalės palies laidą su įtampa, elektrinio įrankio metalinėmis dalimis taip pat gali imti tekėti srovė, todėl operatorius gali patirti elektros šoką.
- Darydami prapjovimo darbus, visuomet naudokite prapjovos kreiptuvą arba tiesią krašto kreipiamąją.** Taip pjūvis bus tikslesnis ir sumažės tikimybė, kad geležtė užstrigs ruošinyje.
- Diskus naudokite tik su tinkamo dydžio ir formos (deimantinėmis ar apvaliomis) angomis.** Diskai, kurie netinka montavimo pjūkle įtaisams, slinks nuo centro į šalis, todėl nesuvaldysite įrankio.
- Niekada nenaudokite apgadintų arba netinkamų geležtės poveržlių arba varžto.** Geležtės poveržlės ir varžtai specialiai pagaminti šiam pjūklui, kad jis būtų optimaliai našus ir saugus.

Atatrankos priežastys ir su ja susiję įspėjimai

- atatranka yra staigi reakcija į pjūklo disko įstrigimą, sulinkimą ar išsiderinimą, dėl kurių nevaldomas pjūklas pakyla ir iššoka iš ruošinio operatoriaus link;
- jei diskas įstringa arba smarkiai sulinksta užsidarant įpjovai, diskas stringa, o variklio reakcija staigiai nukreipia įrankį operatoriaus link;
- Jei geležtė susisuka arba išsiderina įpjovoje, gali nęje geležtės briaunoje esantys dantukai gali įjįsti į medienos paviršių ir todėl geležtė iššoks iš įpjovos operatoriaus link.

Atatranka yra piktnaudžiavimo pjūklui ir (arba) netinkamų darbo procedūrų ar sąlygų rezultatas, jos galima išvengti vadovaujantis toliau nurodytomis atsargumo priemonėmis.

- Tvirtytai laikykite pjūklą abiem rankomis, rankas laikykite taip, kad jos atlaikytų atatrankos jėgą.** Stovėkite bet kurioje geležtės pusėje, bet ne vienoje linijoje su ja. Dėl atatrankos pjūklas gali atšokti atgal, bet operatorius gali valdyti atatrankos jėgą, jei imasi reikiamų atsargumo priemonių.
- Jei geležtė sulinksta arba pjovimas pertraukiamas dėl kitos priežasties, atleiskite gaiduką ir nejudinkite pjūklo ruošinyje, kol geležtė visiškai nesustos.** Jokiū būdu nemėginkite ištraukti pjūklo iš ruošinio arba traukti pjūklo atgal, kol geležtė juda, antraip įvyks atatranka. Apžiūrėkite ir imkitės priemonių geležtės sulinkimo priežastčiai pašalinti.
- Įstatydami pjūklą atgal į ruošinį, pjūklo diską įstatykite įpjovos centre taip, kad pjūklo dantukai nebūtų įstrigę ruošinyje.** Jei pjūklo diskas linksta, jis gali pakilti arba iššokti iš ruošinio vėl įjungus pjūklą.

4. **Didelės plokštės paremkite ir taip sumažinkite pavojų, kad geležtė bus suspausta ir iššoks.** Didelės plokštės linksta dėl savo pačių svorio. Atramas reikia dėti po plokštę iš abiejų pusių, netoli pjovimo linijos ir greta plokštės briaunos.

► **Pav.2**

► **Pav.3**

5. **Nenaudokite atšipusių ar sugadintų geležčių.** Naudojant nepagaląstas arba netinkamai nustatytas geležtes gaunama siaura pjūvo, dėl to padidėja trinties, linksta geležtė ir kyla atotrūkai.
6. **Prieš atliekant pjūvį, geležtės gylio ir nuožulnumo regulavimo-fiksavimo svirtys turi būti gerai pritvirtintos ir priveržtos.** Jei geležtės regulavimas pasikeičia pjaunant, geležtė gali sulinkti ar iššokti.
7. **Būkite ypač atsargūs, kai darote pjūvius sienose arba kitose aklinose vietose.** Išsikūsiusi geležtė gali pataikyti į objektus ir nuo jų atšokti.
8. **VISUOMET tvirtai laikykite įrankį abiem rankomis. NEDĖKITE rankų, kojų ar kitos kūno dalies po įrankio pagrindu ar už pjūklą, ypač darydami kryžinius pjūvius.** Įvykus atotrūkiui, pjūklas gali atšokti atgal per jūsų ranką ir sunkiai sužaloti.
- **Pav.4**
9. **Nedirbkite pjūklą per jėgą. Stumkite pjūklą tokiu greičiu, kad geležtė pjautų nelėtėdama.** Spaudžiant pjūklą, galimi nelygūs pjūviai, tikslumo sumažėjimas ir atotrūkai.

Apsauginio įtaiso veikimas

1. **Kaskart prieš naudodami patikrinkite, ar apsauginis įtaisas užsidaro tinkamai. Nenaudokite pjūklą, jei apsauginis įtaisas nejuda laisvai ir iš karto neuždengia pjovimo disko.** Jokiu būdu neįvirtinkite ir nepirikiškite apsauginio įtaiso, kad diskas liktų neuždengtas. Jei pjūklas netyčia išmetamas, apsauginis įtaisas gali sulinkti. Patikrinkite, ar apsauginis įtaisas juda laisvai ir neliečia disko ar kitos dalies, esant bet kokiam pjūvio kampui ir gyliui.
2. **Patikrinkite apsauginio įtaiso gražinimo spyruoklės veikimą ir būklę.** Jei apsauginis įtaisas ir spyruoklė veikia netinkamai, prieš naudojimą juos reikia sutvarkyti. Apsauginis įtaisas gali veikti lėtai dėl pažeistų dalių, sakingų apnašų arba susikaupusių nešvarumų.
3. **Išitikinkite, ar pjūklą pagrindo plokštė nepasislinks, darant įleidžiamąjį pjūvį.** Diskui pasislinkus į šoną, jis sulinks ir gali atšokti.
4. **Prieš dėdami pjūklą ant suolo ar grindų, patikrinkite, ar apsauginis įtaisas uždengia diską.** Neapsaugotas, iš inercijos besisukantis diskas priverstus pjūklą judėti atgal ir pjaus viską savo kelyje. Atminkite, kad atleidus jungiklį diskas sustoja ne iš karto.

Papildomi įspėjimai dėl saugos

1. **Būkite ypač budrūs, kai pjaunate drėgną medieną, suslėgtus rąstus arba medį su šakomis.** Vienodu greičiu stumkite įrankį pirmyn, nemažindami pjūklą greičio, kad neperkaistų pjūklą galiukai, o jei pjaunate plastiką – kad jis neišsilydytų.
2. **Nemėginkite nuimti atpjautos medžiagos**

geležtei judant. Prieš imdami nupjautą medžiagą, palaukite, kol geležtė sustos. Išjungus įrankį, geležtės dar sukasi iš inercijos.

3. **Nepjunkite vinių. Prieš pjudami apžiūrėkite Medieną ir išimkite visas vinis.**
4. **Platesnę pjūklą pagrindo dalį dėkite ant tos ruošinio dalies, kuri gerai paremta, o ne ant tos, kuri nukris baigus pjauti.** Jei ruošinys trumpas arba smulkus, suspauskite jį spaustuvais. **NEMĖGINKITE LAIKYTI TRUMPO RUOŠINIO RANKAI!**

► **Pav.5**

5. **Prieš pastatydami įrankį, kai baigėte pjauti, įsitikinkite, ar apatinis apsauginis įtaisas užsidarė, o geležtė visiškai sustojė.**
6. **Nemėginkite pjauti apskritu pjūklą apvertę jį spaustuvuose.** Tai ypač pavojinga, todėl gali įvykti sunkus nelaimingas atsitikimas.
- **Pav.6**
7. **Kai kuriose medžiagose esama cheminių medžiagų, kurios gali būti nuodingos. Saugokitės, kad neįkvėptumėte dulkių ir nesiliestumėte oda. Laikykites medžiagų tiekėjo saugos duomenų.**
8. **Nestabdykite spausdami pjūklą geležtę iš šono.**
9. **Nenaudokite šlifuojamųjų diskų.**
10. **Naudokite tik tokio skersmens pjovimo diską, koks yra nurodytas ant įrankio arba naudojimo instrukcijoje.** Naudojant netinkamo dydžio geležtę, ji gali būti netinkamai apsaugota arba netinkamai veiks apsauginis jos gaubtas, todėl galima sunkiai susižeisti.
11. **Geležtė turi būti aštri ir švari.** Ant geležtės esantys sukietėję sakai ar derva sulėtina pjovimą ir didina atotrūkų pavojų. Valykite geležtę pirmiausia išimdami ją iš įrankio, tada nuvalydami sakų ir dervos šalinimo priemone, karštu vandeniu ar žibalu. Nenaudokite benzino.
12. **Naudodami įrankį, užsidėkite kaukę, saugančią nuo dulkių, ir klausos apsaugines priemones.**
13. **Visada naudokite pjaunamai medžiagai tinkamą pjūklą diską.**
14. **Naudokite tik tuos pjūklų diskus, ant kurių nurodytas sukimosi greitis prilygsta arba viršija ant įrankio nurodytą sukimosi greitį.**
15. **(Tik Europos šalims)** Jei ketinate pjauti medieną arba panašią medžiagą, visada naudokite diskus, atitinkančius EN847-1.

SAUGOKITE ŠIAS INSTRUKCIJAS.

⚠️ ĮSPĖJIMAS: NELEISKITE, kad patogumas ir gaminio pažinimas (įgyjamas pakartotinai naudojant) susilpnintų griežtą saugos taisyklių, taikytinų šiam gaminiui, laikymąsi. Dėl NETINKAMO NAUDOJIMO arba saugos taisyklių, kurios pateiktos šioje instrukcijoje, nesilaikymo galima rimtai susižeisti.

Svarbios saugos instrukcijos, taikomos akumulatoriaus kasetei

1. Prieš naudodami akumulatoriaus kasetę, perskaitykite visas instrukcijas ir perspėjimus ant (1) akumuliatorių įkroviklio, (2) akumuliatorių ir (3) akumuliatorių naudojančio gaminio.
2. Neardykite ir negadinkite akumulatoriaus kasetės. Dėl to ji gali užsidegti, per daug įkaisti arba sprogti.
3. Jei įrankio darbo laikas žymiai sutrumpėjo, nedelsdami nutraukite darbą su įrankiu. Tai gali kelti perkaitimo, nudegimų ar net sprogmimo pavojų.
4. Jei elektrolitas pateko į akis, plaukite jas tyru vandeniu ir nedelsdami kreipkitės į gydytoją. Gali kilti regėjimo praradimo pavojus.
5. Neužtrumpinkite akumulatoriaus kasetės:

- (1) Nelieskite kontaktų degiomis medžiagomis.
- (2) Venkite laikyti akumulatoriaus kasetę kartu su kitais metaliniais daiktais, pavyzdžiui, vinimis, monetomis ir pan.
- (3) Saugokite akumulatoriaus kasetę nuo vandens ir lietaus.

Trumpasis jungimas akumuliatorių gali sukelti stiprią srovę, perkaitimą, galimus nudegimus ar net akumulatoriaus gedimą.

6. Nelaikykite ir nenaudokite įrankio ir akumulatoriaus kasetės vietose, kur temperatūra gali pasiekti ar viršyti 50 °C (122 °F).
7. Nedeginkite akumulatoriaus kasetės, net jei yra stipriai pažeista ar visiškai susidėvėjusi. Ugnyje akumulatoriaus kasetė gali sprogti.
8. Akumulatoriaus kasetės nekalkite, nepjaustykite ir nemėtykite ir taip pat į ją netranskykite kietų daiktų. Taip elgiantis, ji gali užsidegti, per daug įkaisti arba sprogti.
9. Nenaudokite pažeisto akumulatoriaus.
10. Įdėtoms ličio jonų akumuliatoriams taikomi Pavojingų prekių teisės akto reikalavimai. Komeracinis transportas, pvz., trečiųjų šalių, prekių vežimo atstovų, turi laikytis specialaus reikalavimo ant pakuotės ir ženklavimo. Norėdami paruošti siūtiną prekę, pasitarkite su pavojingų medžiagų specialistu. Be to, laikykitės galimai išsamesnių nacionalinių reglamentų. Užklijuokite juosta arba padenkite atvirus kontaktus ir supakuokite akumuliatorių taip, kad ji pakuotėje nejudėtų.
11. Kai išmetate akumulatoriaus kasetę, išimkite ją iš įrankio ir išmeskite saugioje vietoje. Vadovaukitės vietos reglamentais dėl akumuliatorių išmetimo.
12. Baterijas naudokite tik su „Makita“ nurodytais gaminiiais. Baterijas įdėjus į netinkamus gaminius gali kilti gaisras, gaminyje pernelyg įkaisti, kilti sprogmimas arba pratekėti elektrolitas.
13. Jei įrankis bus ilgą laiką nenaudojamas, akumuliatorių būtina išimti iš įrankio.
14. Darbo metu ir po akumulatoriaus kasetės gali būti įkaitusi ir dėl to nudeginti. Įmdami akumulatoriaus kasetes, būkite atsargūs.
15. Tuojau pat po naudojimo nelieskite

įrankio gnybtų, nes jie gali būti įkaitę tiek, kad nudegins.

16. Neleiskite, kad į akumulatoriaus kasetės gnybtus, angas ir griovelius patektų drožlių, dulkių ar žemių. Jos gali sukelti kaitimą, užsidegti, sprogti ir sukelti įrankio ar akumulatoriaus kasetės gedimą, dėl ko galima nusideginti ar susižaloti.
17. Jeigu įrankis nėra pritaikytas naudoti šalia aukštos įtampos elektros linijų, akumulatoriaus kasetės nenaudokite šalia aukštos įtampos elektros linijų. Dėl to gali sutrikti įrankio ar akumulatoriaus kasetės veikimas arba jie gali sugesti.
18. Laikykite akumuliatorių vaikams nepasiekiamoje vietoje.

SAUGOKITE ŠIAS INSTRUKCIJAS.

▲PERSPĖJIMAS: Naudokite tik originalų „Makita“ akumuliatorių. Neoriginalaus „Makita“ arba pakeisto akumulatoriaus naudojimas gali nulemti gaisrą, asmens sužalojimą ir pažeidimą. Tai taip pat panaikina „Makita“ suteikiamą „Makita“ įrankio ir įkroviklio garantiją.

Patarimai, ką daryti, kad akumulatorius veiktų kuo ilgiau

1. Pakraukite akumulatoriaus kasetę prieš jai visiškai išsikraunant. Visuomet nustokite naudoti įrankį ir pakraukite akumulatoriaus kasetę, kai pastebite, kad įrankio galia sumažėjo.
2. Niekada nekraukite iki galo įkrautus akumulatoriaus kasetės. Perkraunant trumpėja akumulatoriaus eksploatacijos laikas.
3. Akumulatoriaus kasetę kraukite esant kambario temperatūrai 10 - 40 °C. Prieš pradėdami krauti, leiskite įkautusiai akumulatoriaus kasetei atvėsti.
4. Kai akumulatoriaus kasetės nenaudojate, ją išimkite iš įrankio ar įkroviklio.
5. Įkraukite akumulatoriaus kasetę, jei jos nenaudojate ilgą laiką (ilgiau nei šešis mėnesius).

Svarbios saugumo instrukcijos dėl belaidžio bloko

1. Neardykite ir nekeiskite belaidžio bloko.
2. Laikykite belaidį bloką vaikams nepasiekiamoje vietoje. Netyčia prarijus reikia nedelsiant kreiptis į medikus.
3. Naudokite belaidį bloką tik su „Makita“ įrankiais.
4. Saugokite belaidį bloką nuo lietaus ir nenaudokite jo esant drėgnoms oro sąlygoms.
5. Nenaudokite belaidžio bloko vietose, kur temperatūra viršija 50 °C.
6. Nenaudokite belaidžio bloko netoli medicinos instrumentų, pavyzdžiui, širdies stimuliatorių.
7. Nenaudokite belaidžio bloko netoli automatinį prietaisų. Automatiniai prietaisai gali sugesti arba gali įvykti klaida.

8. Nenaudokite belaidžio bloko ten, kur gali padidėti temperatūra arba atsirasti statinis elektros krūvis arba elektrinis triukšmas.
9. Belaidis blokas gali sukurti elektromagnetinius laukus (EML), bet jie naudotojui nekenksmingi.
10. Belaidis blokas yra tikslusis instrumentas. Saugokite belaidį bloką nuo kritimo ir smūgių.
11. Nelieskite belaidžio bloko kontakto plikomis rankomis arba metaliniais įrankiais.
12. Įdėdami belaidį bloką visada išimkite gaminio akumuliatorių.
13. Atidarydami angos dangtelį venkite vietų, kur į ją gali patekti dulkių ir vandens. Anga visada turi būti švari.
14. Belaidį bloką visada dėkite reikiama kryptimi.
15. Per smarkiai nespauskite belaidžio aktyvinimo mygtuko ant belaidžio bloko, nespauskite jo aštriu daiktu.
16. Dirbdami visada uždarykite angos dangtelį.
17. Kai įrankiui tiekiamas maitinimas, niekada neimkite belaidžio bloko iš angos. Kitaip belaidis blokas gali sugesti.
18. Nenuimkite lipduko nuo belaidžio bloko.
19. Neklįjuokite jokio lipduko ant belaidžio bloko.
20. Nepalikite belaidžio bloko ten, kur gali atsirasti statinis elektros krūvis arba elektrinis triukšmas.
21. Nepalikite belaidžio bloko karštoje vietoje, pavyzdžiui, automobilyje prieš saulę.
22. Nepalikite belaidžio bloko dulketoje ar miltuotoje vietoje arba ten, kur gali atsirasti išdinančiųjų dujų.
23. Nuo staigaus temperatūros pokyčio belaidis blokas gali aprasoti. Nenaudokite belaidžio bloko, kol rasa visiškai nenudžiūvo.
24. Norėdami nuvalyti belaidį bloką, švelniai pavalykite sausa minkšta šluoste. Nenaudokite benzino, skiediklio, laidaus tepalo ir panašių medžiagų.
25. Laikykite belaidį bloką pridėtame dėkle arba nuo statinio krūvio apsaugotoje taroje.
26. Nekiškite į įrankio angą jokių kitų prietaisų, išskyrus „Makita“ belaidį bloką.
27. Nenaudokite įrankio, kurio angos dangtelis pažeistas. Į angą patekęs vanduo, dulkės ir purvas gali jį sugadinti.
28. Netraukite ir (arba) nesukite angos dangtelio daugiau, nei reikia. Atstatykite dangtelį į vietą, jei jis nukrinta nuo įrankio.
29. Pakeiskite angos dangtelį, jei jo nėra arba jis pažeistas.

SAUGOKITE ŠIAS INSTRUKCIJAS.

VEIKIMO APRAŠYMAS

⚠ PERSPĖJIMAS: Prieš pradėdami reguliuoti arba tikrinti įrankio veikimą, visuomet būtinai išjunkite įrankį ir išimkite akumuliatoriaus kasėtę.

Akumuliatoriaus kasėtės uždėjimas ir nuėmimas

⚠ PERSPĖJIMAS: Prieš įdėdami arba išimdami akumuliatoriaus kasėtę, visada išjunkite įrankį.

⚠ PERSPĖJIMAS: Įdėdami arba išimdami akumuliatoriaus kasėtę, tvirtai laikykite įrankį ir akumuliatoriaus kasėtę. Jeigu įrankį ir akumuliatoriaus kasėtę laikysite netvirtai, jie gali išslysti iš jūsų rankų, todėl įrankis ir akumuliatoriaus kasėtė gali būti sugadinti, o naudotojas sužalotas.

Jei norite įdėti akumuliatoriaus kasėtę, ant akumuliatoriaus kasėtės esantį liežuvėlį sutapdinkite su korpuso esančiu grioveliu ir įstumkite į jai skirtą vietą. Įstatykite iki pat galo, kad spragtelėdama užsifiksuotų. Jeigu matote raudoną sandariklį (indikatorius), kaip parodyta paveikslėlyje, ji nėra visiškai užfiksuota.

Jei norite išimti akumuliatoriaus kasėtę, ištraukite ją iš įrankio, stumdami mygtuką, esantį kasėtės priekyje.

- **Pav.7:** 1. Raudonas sandariklis (indikatorius)
2. Mygtukas 3. Akumuliatoriaus kasėtė

⚠ PERSPĖJIMAS: Akumuliatoriaus kasėtę visada įkiškite iki galo, kol nebematysite raudono sandariklio (indikatoriaus) Priešingu atveju ji gali atsitiktinai iškristi iš įrankio ir sužeisti jus arba aplinkinius.

⚠ PERSPĖJIMAS: Nekiškite akumuliatoriaus kasėtės jėga. Jeigu kasėtė sunkiai lenda, ją kišate netinkamai.

PASTABA: Įrankis neveikia tik su viena akumuliatoriaus kasete.

Įrankio / akumuliatoriaus apsaugos sistema

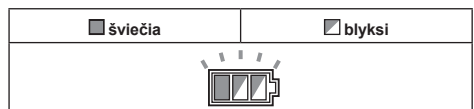
Įrankyje įrengta įrankio / akumuliatoriaus apsaugos sistema. Ši sistema automatiškai atjungia variklio maitinimą, kad įrankis ir akumuliatorius ilgiau veiktų. Įrankis automatiškai išsijungs darbo metu esant vienai iš toliau nurodytų įrankio arba akumuliatoriaus darbo sąlygų. Esant tam tikroms sąlygoms užsidega indikatoriai.

Apsauga nuo perkrovos

Kai įrankis naudojamas taip, kad neįprastai padidėja elektros srovė, įrankis automatiškai išsijungia. Tokiu atveju atleiskite įrankio gaiduką ir nutraukite darbą, dėl kurio kilo įrankio perkrova. Po to vėl įjunkite įrankį.

Apsauga nuo perkaitimo

Jeigu įrankis perkaista, automatiškai išsijungia ir maždaug 60 sekundžių žybcioja akumuliatoriaus indikatorius lemputė. Tokiu atveju palaukite, kol įrankis atvės, paskui vėl jį įjunkite.



Apsauga nuo visiško išsikrovimo

Žymiai sumažėjus akumuliatoriaus galiai, įrankis automatiškai išsijungia. Jeigu gaminyje neveikia net ir spaudžiant jungiklius, išimkite akumuliatorių iš įrankio ir įkraukite.

Likusios akumuliatoriaus galios rodymas

- **Pav.8:** 1. Akumuliatoriaus indikatorius (viršutinio akumuliatoriaus) 2. Tikrinimo mygtukas 3. Akumuliatoriaus indikatorius (apatinio akumuliatoriaus)

Paspauskite tikrinimo mygtuką, kad būtų rodoma likusi akumuliatoriaus energija. Akumuliatorių indikatoriai parodo atitinkamo akumuliatoriaus galią.

Akumuliatoriaus indikatorius būseną			Likusi akumuliatorių galia
Šviečia	Nešviečia	Blyksi	
			50–100 %
			20–50 %
			0–20 %
			Įkraukite akumuliatorių

Likusios akumuliatoriaus galios rodymas

Tik akumuliatoriaus kasetėms su indikatoriumi

Paspauskite akumuliatoriaus kasetės tikrinimo mygtuką, kad būtų rodoma likusi akumuliatoriaus energija. Maždaug trims sekundėms užsidegs indikatorius lemputės.

- **Pav.9:** 1. Indikatorius lemputės 2. Tikrinimo mygtukas

Indikatorius lemputės			Likusi galia
Šviečia	Nešviečia	Blyksi	
			75 - 100 %
			50 - 75 %
			25 - 50 %
			0 - 25 %
			Įkraukite akumuliatorių.

Indikatorius lemputės			Likusi galia
Šviečia	Nešviečia	Blyksi	
			Galimai įvyko akumuliatoriaus veikimo triktis.

PASTABA: Rodmuo gali šiek tiek skirtis nuo faktinės energijos lygio – tai priklauso nuo naudojimo sąlygų ir aplinkos temperatūros.

PASTABA: Veikiant akumuliatoriaus apsaugos sistemai ims mirksėti pirmoji (toliausiai kairėje) indikatorius lemputė.

Automatinio greičio keitimo funkcija

PASTABA: Automatinio greičio keitimo funkcija veikia tik tada, kai greičio reguliavimo ratukas yra ties 5.

Šis įrankis turi „didelio greičio režimą“ ir „didelio sukimo momento režimą“.

Įrankis automatiškai perjungia darbo režimą, priklausomai nuo darbo apkrovos. Kai darbo apkrova maža, įrankis veiks didelio greičio režimu, kad greičiau pjautų. Kai darbo apkrova didelė, įrankis veiks didelio sukimo momento režimu, kad galingiau pjautų.

- **Pav.10:** 1. Režimo indikatorius

Kai veikiant įrankiui užsidega žalia režimo indikatorius lemputė, įrankis veikia didelio sukimo momento režimu. Jeigu įrankis naudojamas esant pernelyg didelei apkrovai, režimo indikatorius mirksės žaliai. Režimo indikatorius nustos mirksėti, tuomet įsijiebs arba išsijungs, jeigu sumažinsite apkrovą įrankiui.

Režimo indikatorius būseną			Veikimo režimas
Šviečia	Nešviečia	Blyksi	
			Didelio greičio režimas
			Didelio sukimo momento režimas
			Įspėjimas apie perkrovą

Pjovimo gylio reguliavimas

⚠PERSPĖJIMAS: Nustatę pjovimo gylį, visada saugiai užtvirtinkite suveržimo varžtą.

Atlaisvinkite gylio kreatoriaus suveržimo varžtą ir pastumkite disko apatinės ribos stabdiklį iki norimo gylio ant skalės plokštelės. Nustatę norimą pjovimo gylį, tvirtai užveržkite suveržimo varžtą.

Norėdami pjauti švariau ir saugiau, nustatykite tokį pjovimo gylį, kad už ruošinio kyšotų tik vienas disko dantis. Tinkamo pjovimo gylio pasirinkimas padeda sumažinti galimą ATATRANKOS pavojų, dėl kurios galima susižeisti.

- **Pav.11:** 1. Disko apatinės ribos stabdiklis
2. Suveržimo varžtas

Greitojo stabdymo mygtukas 2–3 mm gylio pjūviui atlikti, naudojant kreiptuvą (papildomą priedą)

Šiame įrankyje yra 2–3 mm gylio pjūviui atlikti, naudojant kreiptuvą, skirtas greitojo stabdymo mygtukas ant pavaros korpuso šalia galinės rankenėlės. Jis naudojamas norint išvengti nuolaužų ant ruošinio pjūvio. Padarykite 2–3 mm pirmąjį pjūvį, o tada – antrą įprasto gylio pjūvį.

- **Pav.12:** 1. Greitojo stabdymo mygtukas

Jei norite gauti 2–3 mm gylio pjūvį, paspauskite greitojo stabdymo mygtuką į pjūklo disko pusę. Tai patogiu, norint išvengti nuolaužų ant ruošinio pjūvio.

Jei norite atstatyti pjūvio gylį iš šios padėties, tiesiog patraukite mygtuką atgal.

Įstrižųjų pjūvių darymas

Atlaisvinkite suveržimo varžtus. Atitinkamai pakreipdami, nustatykite norimą kampą, tada patikimai užveržkite suveržimo varžtus.

- **Pav.13:** 1. Suveržimo varžtas 2. Įstrižos skalės plokštelė
► **Pav.14:** 1. Pagalbinis pagrindas (Pasirenkamas priedas) 2. Suveržimo varžtas

Teigiamas kaištis

Teigiamas stabdiklis yra naudingas, norint greitai nustatyti nurodytą kampą. Pasukite teigiamą stabdiklį taip, kad rodyklė ant jo rodytų 22,5°. Atlaisvinkite priekyje ir gale esančius suveržimo varžtus. Tuomet pakreipkite diską, kol jis sustos, ir pritvirtinkite pagrindą suveržimo varžtais.

- **Pav.15:** 1. Teigiamas kaištis 2. Suveržimo varžtas

48° įstrižųjų pjūvių darymas

Kad atliktumėte 48° įstrižąjį pjūvį, atlaisvinkite suveržimo varžtus ir visiškai pakreipkite svirtį rodyklės kryptimi, kaip pavaizduota paveikslėlyje. Tada nustatykite 48° įstrižąjį kampą ir užveržkite suveržimo varžtus.

- **Pav.16:** 1. Svirtis

–1° įstrižųjų pjūvių darymas

Kad atliktumėte –1° įstrižąjį pjūvį, atlaisvinkite suveržimo varžtus ir pastumkite svirtis rodyklės kryptimi, kaip pavaizduota paveikslėlyje. Tada nustatykite –1° įstrižąjį kampą ir užveržkite suveržimo varžtus.

- **Pav.17:** 1. Svirtis

Nutaukimas

- **Pav.18:** 1. Pagrindas

Pjovimo linija skiriasi, priklausomai nuo pjūvio kampo ir to, ar naudojate kreiptuvą (papildomas priedas).

Naudodami įrankį be kreiptuvo

Norėdami atlikti tiesiuosius pjūvius, sulygiuokite pagrindo priekyje pažymėtą „A“ padėtį su pjūvio linija.

Norėdami atlikti 45° įstrižuosius pjūvius, su pjūvio linija sulygiuokite „B“ padėtį.

Naudodami įrankį su kreiptuvu

Tiesiesiems ir 45° įstrižiesiems pjūviams atlikti sulygiuokite pagrindo priekyje pažymėtą „A“ padėtį su pjūvio linija.

Jungiklio veikimas

⚠️ ĮSPĖJIMAS: Prieš montuodami akumuliatoriaus kasėtį įrankyje, visuomet patikrinkite, ar gaidukas tinkamai veikia ir atleistas grįžta į išjungimo padėtį „OFF“.

⚠️ ĮSPĖJIMAS: NIEKADA neužklijuokite atlaisvinimo mygtuko lipnia juostele ir nepanaikinkite jo funkcijos kitomis priemonėmis. Jungiklis su užblokuotu atlaisvinimo mygtuku gali netyčia įjungti įrankį ir operatorius gali būti sunkiai sužeistas.

⚠️ ĮSPĖJIMAS: NIEKADA nenaudokite įrankio, jei jis veikia nuspaudus tik gaiduką, tačiau nenuspaudus atlaisvinimo mygtuko. Jungiklis, kurį reikia taisyti, gali netyčia įjungti įrankį ir operatorius gali būti sunkiai sužeistas. PRIEŠ pradėdami vėl naudoti įrankį, atiduokite jį suremontuoti į „Makita“ techninės priežiūros centrą.

Atlaisvinimo mygtukas neleidžia atsitiktinai paspausti gaiduko. Jei norite įjungti įrankį, paspauskite atlaisvinimo mygtuką ir gaiduką. Norėdami įrankį išjungti, gaiduką atleiskite.

- **Pav.19:** 1. Gaidukas 2. Atlaisvinimo mygtukas

PASTABA: Negalima stipriai spausti jungiklio gaiduko, nenuspaudus atlaisvinimo mygtuko. Taip galima sugadinti jungiklį.

Greičio reguliavimo ratukas

Įrankio greitį galima reguliuoti, sukant greičio reguliavimo ratuką. Disko sukimosi greitis didėja, didinant skaičių ant greičio reguliavimo ratuko.

- **Pav.20:** 1. Greičio reguliavimo ratukas

Kaip išrinkti reikiamą ruošinio pjovimo greitį, žr. lentelėje. Tačiau tinkamas greitis gali priklausyti nuo ruošinio tipo ir storio. Jeigu greitis didesnis, ruošinys pjaunamas greičiau, tačiau taip sutrumpėja pjovimo disko naudojimo laikas.

Skaičius	Disko sukimosi greitis per minutę (min ⁻¹)
1	2 500 min ⁻¹
2	2 900 min ⁻¹
3	3 900 min ⁻¹
4	4 900 min ⁻¹
5	6 300 min ⁻¹

⚠️ PERSPĖJIMAS: Greičio reguliavimo ratukas nėra skirtas mažo greičio pjovimo diskams naudoti – jis skirtas greičiui, reikiamam ruošiniui tinkamai pjauti, nustatyti. Naudokite tik tuos pjovimo diskus, kurie yra numatyti naudoti maksimaliu greičiu, įrankiui veikiant be apkrovos, nurodytu TECHNINĖSE SĄLYGOSE.

PASTABA: Greičio reguliavimo rankenėlę galima pasukti tik iki 5 ir atgal iki 1. Nemėginkite jo sukti už 5 ar 1 padėties, kadangi galite sugadinti greičio reguliavimo funkciją.

Elektroninė funkcija

Jrenginiais, turinčiais elektroninę funkciją, lengva naudotis dėl toliau nurodytų veikimo savybių.

Perkrovos saugiklis

Jei įrankis perkrautas ir srovė viršija tam tikrą lygį, įrankis automatiškai išsijungia, saugodamas variklį.

Nuolatinis greičio reguliavimas

Elektroninis greičio reguliavimas pastoviam greičiui užtikrinti. Galima tiksliai nušlifuoti paviršius, nes sukimosi greitis būna vienodas, net esant didelei apkrovai.

Tolygaus įjungimo funkcija

Tolygus įjungimas dėl nuslopinto įjungimo smūgio.

SURINKIMAS

▲ PERSPĖJIMAS: Prieš darydami ką nors įrankiui visada patikrinkite, ar įrenginys išjungtas, o akumuliatorių kasėtė – nuimta.

Šešiabriaunio veržliarakčio laikymas

Nenaudojamą šešiabriaunį veržliarakčių laikykite taip, kaip parodyta paveikslėlyje, kad nepamestumėte.

► **Pav.21:** 1. Šešiakampis veržliaraktis

Apvalaus pjovimo disko sumontavimas arba nuėmimas

▲ PERSPĖJIMAS: Patikrinkite, ar sumontuoto apvalaus pjovimo disko dantys įrankio priekyje nukreipti aukštyn.

▲ PERSPĖJIMAS: Apvaliam pjovimo diskui sumontuoti arba nuimti naudokite tik „MAKITA“ veržliarakčių.

Norėdami nuimti diskinio pjūklo diską:

1. paspauskite atlaisvinimo mygtuką ir šiek tiek nuleiskite rankenėlę; pasukite užrakto svirtelę ir nuleiskite rankenėlę, kad blokavimo kaištis patektų į angą.
► **Pav.22:** 1. Atlaisvinimo mygtukas 2. Užrakto svirtelė 3. Blokavimo kaištis 4. Blokavimo kaiščio anga

2. Nuspauskite ašies fiksatorių, kad diskas negalėtų sukstis ir, naudodami šešiakampį veržliasukį, atsukite šešiakampį varžtą.

► **Pav.23:** 1. Ašies fiksatorius 2. Šešiakampis veržliasukis 3. Priveržti 4. Atlaisvinti

3. Išsukite šešiakampį varžtą, nuimkite išorinę jungę ir diskinio pjūklo diską.

► **Pav.24:** 1. Šešiakampis varžtas 2. Išorinė jungė 3. Vidinė jungė 4. Diskinio pjūklo diskas

▲ JSPĖJIMAS: Jeigu nuėmėte vidinę jungę, būtinai vėl ją uždėkite ant veleno. Uždėdami jungę, pasirinkite tinkamą pusę, kurios iškyša idealiai tinka vidinei pjūklo disko angai. Uždėjus diską netinkama puse, gali atsirasti pavojinga vibracija.

Jei norite sumontuoti diskinio pjūklo diską, atlikite nuėmimo procedūrą atvirkštine tvarka. Paspauskite atlaisvinimo mygtuką, kad atlaisvintumėte blokavimo kaištį iš angos.

▲ JSPĖJIMAS: BŪTINAI TVIRTAI PRIVERŽKITE ŠEŠIAKAMPĮ VARŽTĄ. Tačiau neveržkite varžto per jėgą. Nuslydus rankai nuo šešiakampio veržliasukio, galima susižaloti.

Disko apsauginio gaubto valymas

Keisdami diskinio pjūklo diską, būtinai išvalykite ir apsauginiam disko įtaise susikaupusias pjūvenas, kaip nurodyta techninės priežiūros skyriuje. Visgi prieš kiekvieną naudojimą būtinai patikrinkite, ar tinkamai veikia apsauginis įtaisas.

Dulkių siurblio prijungimas

Pasirenkamas priedas

Jei norite pajauti užtikrinamą švarą, prie įrankio prijunkite „Makita“ vakuuminį valymo įrenginį. Vakuuminio valymo įrenginio žarną prie dulkių ištraukimo antgalio prijunkite, naudodami 24 priekinius antgalius.

► **Pav.25:** 1. Vakuuminio valymo įrenginio žarna 2. 24 priekiniai antgaliai 3. Dulkių surenkamasis antgalis

NAUDOJIMAS

▲ PERSPĖJIMAS: Atsargiai tiesiai traukite įrankį į priekį. Traukiant jėga arba sukant įrankį, variklis gali perkaisti, atsirasti pavojinga atatranka, kuri kelia pavojų sunkiai susižeisti.

▲ PERSPĖJIMAS: Niekuomet neikiškite jokios kūno dalies po įrankio pagrindu pjaustydami dalimis, ypač pradžioje. Tai gali sukelti rimtų sužalojimų. Diskas po įrankio pagrindu nepridengtas.

PASTABA: Kai akumulatoriaus kasėtė yra šalta, įrankis gali veikti ne visu pajėgumu. Tokiu atveju kurį laiką naudokite įrankį, pavyzdžiui, nedideliams pjovimo darbams, kol akumulatoriaus kasėtė sušils iki kambario temperatūros. Tuomet įrankis galės veikti visu pajėgumu.

Pjaustymas dalimis (įprastas pjaustymas)

► **Pav.26**

Tvirtai laikykite įrankį. Įrankyje įtaisytos priekinė ir galinė rankenos. Norėdami tvirtai laikyti įrankį, laikykite už abiejų rankenų. Jei pjūklą laikysite abiem rankomis, diskinio pjūklo diskas negalės jų įpjauti. Padėkite įrankio pagrindą ant ruošinio, kurį pjausite, taip, kad diskinio

pjūklo diskas neliestų ruošinio. Tada paspauskite užrakto svirtelę ir patraukite gaiduką. Palaukite, kol diskinio pjūklo diskas pradės sukintis visu greičiu. Dabar lėtai spauskite pjūklo galvutę iki nustatyto pjovimo gylio ir tiesiog stumkite įrankį ruošinio paviršiumi į priekį, laikydami lygiai ir tolygiai stumdami, kol baigsite pjauti. Kad pjūviai būtų tiesūs, išlaikykite tiesią pjovimo liniją ir tolygiai stumkite įrankį. Jei pjaudami nukrypote nuo numatytos pjovimo linijos, nebandykite pasukti arba jėga gražinti įrankio ir pjovimo liniją. Taip darant diskinio pjūklo diskas gali pradėti strigti, sukelti pavojingą atitrangą ir sunkiai sužaloti. Atleiskite gaiduką, palaukite, kol diskinio pjūklo diskas sustos, ir atitraukite įrankį. Sulygiuokite įrankį pagal naują pjovimo liniją ir vėl pradėkite pjauti. Stenkitės išvengti tokios padėties, kurioje įrenginio valdytoją nuo pjūklo lekia atplaišos ir medžio dulkės. Kad išvengtumėte sužalojimų, užsidėkite apsauginius akinius.

Kreiptuvas

Pasirenkamas priedas

Padėkite įrankį ant galinės kreiptuvo dalies. Pasukite du reguliavimo varžtus ant įrankio pagrindo taip, kad įrankis slystų lygiai, nebarškėdamas. Tvirtai laikykite įrankį už priekinio laikiklio ir galinės rankenos. Pasukite įrankį, nuspauskite įrankį iki nustatyto pjūvio gylio ir pjaukite išilgai apsaugos nuo nuolaužų per visą judesio ilgį. Dabar apsaugos nuo nuolaužų kraštas atitinka pjūvio kraštą.

► **Pav.27:** 1. Reguliavimo varžtai

Kai atliekate įstrižuosius pjūvius, naudodami kreiptuvą, paslinkite stumdomąją svirtį taip, kad įrankis nenuvirstų. Pastumkite stumdomąją svirtį ant įrankio pagrindo rodyklės kryptimi taip, kad ji patektų į įpjautą griovelį kreiptuve.

► **Pav.28:** 1. Stumdomoji svirtis

Pagalbinis pagrindas (kreiptuvas)

Pasirenkamas priedas

Naudodami pagalbinį pagrindą kaip kreiptuvą, galite atlikti labai tikslius tiesiusius pjūvius. Atlaisvinkite suveržimo varžtus ir pastumkite pagalbinį pagrindą iš įrankio, tada įkiškite jį apersesta.

► **Pav.29:** 1. Suveržimo varžtas 2. Pagalbinis pagrindas

Tiesiog priglauskite pagalbinio pagrindo kreiptuvą prie ruošinio šono ir suveržimo varžtais užtvirtinkite jį į tokią padėtį. Šis įrenginys taip pat leidžia atlikti vienodo pločio pjūvius.

► **Pav.30:** 1. Suveržimo varžtas 2. Pagalbinis pagrindas

Įleidžiamųjų pjūvių darymas (išpjovimas)

⚠ JSPĖJIMAS: Norėdami išvengti atitranskos, laikykitės šių nurodymų.

► **Pav.31:** 1. Galinė įrankio pagrindo kraštinė 2. Fiksuotasis stabdiklis

Naudodami įrankį be kreiptuvo, padėkite įrankį ant ruošinio, atrėmę galinę įrankio pagrindo kraštinę į fiksuotąjį

stabdiklį, įrengtą operatoriaus.

Naudodami įrankį su kreiptuvu, padėkite įrankį ant kreiptuvo, atrėmę galinę įrankio pagrindo kraštinę į fiksuotąjį stabdiklį, pritvirtintą ant kreiptuvo.

Tvirtai laikykite įrankį viena ranka ant priekinės rankenos ir kita ant įrankio rankenos. Tada paspauskite atlaisvinimo mygtuką, pasukite įrankį ir palaukite, kol diskas pradės sukintis visu greičiu. Dabar lėtai spauskite pjūklo galvutę iki nustatyto pjovimo gylio ir tiesiog stumkite įrankį pirmyn iki norimo pjūvio gylio.

PASTABA: Žymės disko apsaugos šonuose rodo pjūklo disko priekinį ir galinį pjovimo taškus, esant maksimaliam pjūvio gyliui ir naudojant kreiptuvą.

► **Pav.32:** 1. Priekinis pjovimo taškas 2. Galinis pjovimo taškas

Kreipiantysis įrenginys

Pasirenkamas priedas

Įstrižo pjūvio kreiptuvo naudojimas leidžia atlikti tikslius įžambius pjūvius, skirtus kampams ir pritaikymo darbams.

Veržtuvo naudojimas užtikrina, kad ruošinys tvirtai laikomas ant stalo.

BELAIŽIO AKTYVINIMO FUNKCIJA

Tik DSP601

Ką galima padaryti su belaidžio aktyvinimo funkcija?

Belaidžio aktyvinimo funkcija leidžia dirbti švariai ir patogiai. Pridėtą vakuuminį valymo įrenginį prijungę prie įrankio, galite automatiškai jį paleisti įjungdami įrankį.

► **Pav.33**

Norėdami naudoti belaidžio aktyvinimo funkciją, pasi-ruoškite šiuos daiktus:

- belaidį bloką (papildomas priedas);
- vakuuminį valymo įrenginį, kuris palaiko belaidžio aktyvinimo funkciją.

Toliau pateikiama belaidžio aktyvinimo funkcijos nustatymo apžvalga. Kiekvienoje dalyje rasite detalias procedūras.

1. Belaidžio bloko įdėjimas
2. Įrankio nustatymas vakuuminiame valymo įrenginyje
3. Belaidžio aktyvinimo funkcijos paleidimas

Belaidžio bloko įdėjimas

Pasirenkamas priedas

⚠ PERSPĖJIMAS: Įdėdami belaidį bloką, padėkite įrankį ant stabiliaus plokščio paviršiaus.

PASTABA: Prieš įdėdami belaidį bloką, nuo įrankio nuvalykite dulkes ir purvą. Patekusios į belaidžio bloko angą, dulkės arba purvas gali sukelti gedimą.

PASTABA: Norėdami išvengti gedimo, kurį gali sukelti statinis elektros krūvis, prieš paimdami belaidį bloką palieskite medžiagą, per kurią išeina statinis elektros krūvis, pavyzdžiui, metalinę įrankio dalį.

PASTABA: Įdėdami belaidį bloką, visada įsitinkinkite, kad dedate reikiama kryptimi ir kad dangtelis iki galo uždarytas.

1. Atidarykite įrankio dangtelį, kaip parodyta paveikslėlyje.

► **Pav.34:** 1. Dangtelis

2. Įdėkite belaidį bloką į angą ir uždarykite dangtelį. Įdėdami belaidį bloką, iškyšas sulygiuokite su angos išėmomis.

► **Pav.35:** 1. Belaidis blokas 2. Iškyša 3. Dangtelis 4. Išėma

Norėdami išimti belaidį bloką, lėtai atidarykite dangtelį. Traukiant dangtelį, ju galinėje pusėje esantys kabliukai iškels belaidį bloką.

► **Pav.36:** 1. Belaidis blokas 2. Kabliukas 3. Dangtelis

Išėmę belaidį bloką laikykite pridėtame dėkle arba nuo statinio krūvio apsaugotoje taroje.

PASTABA: Išimdami belaidį bloką visada naudokite galinėje dangtelio pusėje esančius kabliukais. Jei kabliukai nepagauna belaidžio bloko, iki galo uždarykite dangtelį ir vėl lėtai jį atidarykite.

Įrankio nustatymas vakuuiniame valymo įrenginyje

PASTABA: Įrankiui nustatyti reikalingas „Makita“ vakuuminis valymo įrenginys, palaikantis belaidžio aktyvinimo funkciją.

PASTABA: Prieš pradėdami nustatyti įrankį, įdėkite jį į belaidį bloką.

PASTABA: Nustatydami įrankį, netraukite gaiduko ir neįjunkite vakuuminio valymo įrenginio maitinimo.

PASTABA: Taip pat žr. vakuuminio valymo įrenginio naudojimo instrukciją.

Jei norite aktyvinti vakuuminį valymo įrenginį įrankio jungikliu, prieš tai nustatykite įrankį.

1. Įdėkite akumuliatorių į vakuuminį valymo įrenginį ir įrankį.

2. Vakuuminio valymo įrenginio parengties jungiklį nustatykite ties „AUTO“.

► **Pav.37:** 1. Parengties jungiklis

3. 3 sekundes spauskite belaidžio aktyvinimo mygtuką ant vakuuminio valymo įrenginio, kol belaidžio aktyvinimo lemputė ims mirksėti žaliai. Tada tokiu pat būdu paspauskite belaidžio aktyvinimo mygtuką ant įrankio.

► **Pav.38:** 1. Belaidžio aktyvinimo mygtukas
2. Belaidžio aktyvinimo lemputė

Jei vakuuminis valymo įrenginys ir įrankis sėkmingai

susieti, belaidžio aktyvinimo lemputės 2 sekundes švies žaliai ir ims mirksėti mėlynai.

PASTABA: Belaidžio aktyvinimo lemputės nustoja mirksėti žaliai po 20 sekundžių. Kai mirksi valymo įrenginio belaidžio aktyvinimo lemputė, paspauskite belaidžio aktyvinimo mygtuką ant įrankio. Jei belaidžio aktyvinimo lemputė nemirksi žaliai, trumpai paspauskite belaidžio aktyvinimo mygtuką ir vėl palaikykite jį nuspaudę.

PASTABA: Jei norite nustatyti du ar daugiau įrankių viename vakuuiniame valymo įrenginyje, nustatykite juos po vieną.

Belaidžio aktyvinimo funkcijos paleidimas

PASTABA: Prieš belaidį aktyvinimą nustatykite įrankį vakuuiniame valymo įrenginyje.

PASTABA: Taip pat žr. vakuuminio valymo įrenginio naudojimo instrukciją.

Nustačius įrankį vakuuiniame valymo įrenginyje, jis automatiškai įsijungs įjungus įrankį.

1. Įdėkite belaidį bloką į įrankį.

2. Sujunkite vakuuminio valymo įrenginio žarną su įrankiu.

► **Pav.39**

3. Vakuuminio valymo įrenginio parengties jungiklį nustatykite ties „AUTO“.

► **Pav.40:** 1. Parengties jungiklis

4. Trumpai paspauskite belaidžio aktyvinimo mygtuką ant įrankio. Belaidžio aktyvinimo lemputė mirksės mėlynai.

► **Pav.41:** 1. Belaidžio aktyvinimo mygtukas
2. Belaidžio aktyvinimo lemputė

5. Įjunkite įrankį. Patikrinkite, ar su įrankiu kartu veikia ir vakuuminis valymo įrenginys.

Norėdami sustabdyti belaidį vakuuminio valymo įrenginio aktyvinimą, paspauskite belaidžio aktyvinimo mygtuką ant įrankio.

PASTABA: Nenaudojant 2 valandas, belaidžio aktyvinimo lemputė ant įrankio nustos mirksėti mėlynai. Šiuo atveju parengties jungiklį ant vakuuminio valymo įrenginio nustatykite ties „AUTO“ ir vėl paspauskite belaidžio aktyvinimo mygtuką ant įrankio.

PASTABA: Vakuuminis valymo įrenginys ima veikti ir sustoja šiek tiek uždelsęs. Praeina šiek tiek laiko, kol vakuuminis valymo įrenginys nustato, kad buvo panaudotas įrankio jungiklis.

PASTABA: Belaidžio bloko perdavimo atstumas gali skirtis priklausomai nuo vietos ir aplinkybių.

PASTABA: Kai viename vakuuiniame valymo įrenginyje užregistruoti du ar daugiau įrankių, vakuuminis valymo įrenginys gali imti veikti net ir neįjungus įrankio, nes kitas naudotojas naudoja belaidžio aktyvinimo funkciją.

Belaidžio aktyvinimo lemputės būsenos aprašymas

► Pav.42: 1. Belaidžio aktyvinimo lemputė

Belaidžio aktyvinimo lemputė rodo belaidžio aktyvinimo funkcijos būseną. Lemputės būsenos reikšmės pateiktos tolesnėje lentelėje.

Būsena	Belaidžio aktyvinimo lemputė				Aprašymas
	Spalva	Šviečia	Mirksi	Trukmė	
Parengtis	Mėlyna	<input checked="" type="checkbox"/>	<input checked="" type="checkbox"/>	2 valandos	Galimas belaidis vakuuminio valymo įrenginio aktyvinimas. Nenaudojant 2 valandas lemputė automatiškai užges.
		<input type="checkbox"/>	<input type="checkbox"/>	Kai įrankis yra naudojamas.	Galimas belaidis vakuuminio valymo įrenginio aktyvinimas ir įrankis yra naudojamas.
Įrankio nustatymas	Žalia	<input checked="" type="checkbox"/>	<input checked="" type="checkbox"/>	20 sekundžių	Pasirengęs nustatyti įrankį. Laukiama, kol įrankis bus nustatytas vakuuminiame valymo įrenginyje.
		<input type="checkbox"/>	<input type="checkbox"/>	2 sekundės	Įrankis nustatytas. Belaidžio aktyvinimo lemputė ims mirksėti mėlynai.
Įrankio nustatymo atšaukimas	Raudona	<input checked="" type="checkbox"/>	<input checked="" type="checkbox"/>	20 sekundžių	Pasiruošęs atšaukti įrankio nustatymą. Laukiama, kol įrankio nustatymas bus atšauktas vakuuminiame valymo įrenginyje.
		<input type="checkbox"/>	<input type="checkbox"/>	2 sekundės	Įrankio nustatymas atšauktas. Belaidžio aktyvinimo lemputė ims mirksėti mėlynai.
Kita	Raudona	<input type="checkbox"/>	<input type="checkbox"/>	3 sekundės	Belaidis blokas yra maitinamas ir ima veikti belaidžio aktyvinimo funkcija.
	Nešviečia	-	-	-	Belaidis vakuuminio valymo įrenginio aktyvinimas sustabdytas.

Įrankio nustatymo vakuuminiame valymo įrenginyje atšaukimas

Norėdami atšaukti įrankio nustatymą vakuuminiame valymo įrenginyje, atlikite šią procedūrą.

1. Įdėkite akumuliatorius į vakuuminį valymo įrenginį ir įrankį.

2. Vakuuminio valymo įrenginio parengties jungiklį nustatykite ties „AUTO“.

► Pav.43: 1. Parengties jungiklis

3. 6 sekundes spauskite belaidžio aktyvinimo mygtuką ant vakuuminio valymo įrenginio. Belaidžio aktyvinimo lemputė mirksi žaliai ir tampa raudona. Paskui

tokiu pat būdu paspauskite belaidžio aktyvinimo mygtuką ant įrankio.

► Pav.44: 1. Belaidžio aktyvinimo mygtukas
2. Belaidžio aktyvinimo lemputė

Jei atšaukti pavyko, belaidžio aktyvinimo lemputės 2 sekundes švies raudonai ir ims mirksėti mėlynai.

PASTABA: Belaidžio aktyvinimo lemputės nustoja mirksėti raudonai po 20 sekundžių. Kai mirksi valymo įrenginio belaidžio aktyvinimo lemputė, paspauskite belaidžio aktyvinimo mygtuką ant įrankio. Jei belaidžio aktyvinimo lemputė nemirksi raudonai, trumpai paspauskite belaidžio aktyvinimo mygtuką ir vėl palaikykite jį nuspaudę.

Belaidžio aktyvinimo funkcijos trikčių šalinimas

Prieš kreipdamiesi dėl remonto darbų, pirmiausia patikrinkite gedimus patys. Kilus problemų, apie kurias nepaaiškinta vartotojo vadove, nemėginkite ardyti įrankio. Kreipkitės į įgaliotuosius „Makita“ techninės priežiūros centrus, kuriuose remontui visuomet naudojamos originalios „Makita“ keičiamosios dalys.

Neįprasta būklė	Tikėtina priežastis (triktis)	Ištaisomoji priemonė
Belaidžio aktyvinimo lemputė nešviečia arba nemirksi.	Belaidis blokas neįdėtas į įrankį. Belaidis blokas netinkamai įdėtas į įrankį.	Taisyklingai įdėkite belaidį bloką.
	Belaidžio bloko kontaktas ir (arba) anga yra purvini.	Švelniai nuvalykite dulkes ir purvą nuo belaidžio bloko kontakto ir išvalykite angą.
	Belaidžio aktyvinimo mygtukas ant įrankio nebuvo paspaustas.	Trumpai paspauskite belaidžio aktyvinimo mygtuką ant įrankio.
	Vakuuminio valymo įrenginio parengties jungiklis nenustatytas ties „AUTO“.	Vakuuminio valymo įrenginio parengties jungiklį nustatykite ties „AUTO“.
	Nėra maitinimo	Prijunkite įrankio ir vakuuminio valymo įrenginio maitinimą.

Neįprasta būklė	Tikėtina priežastis (triktis)	Ištaisomoji priemonė
Nepavyksta nustatyti įrankio / atšaukti jo nustatymo.	Belaidis blokas neįdėtas į įrankį. Belaidis blokas netinkamai įdėtas į įrankį.	Taisyklingai įdėkite belaidį bloką.
	Belaidžio bloko kontaktas ir (arba) anga yra purvini.	Švelniai nuvalykite dulkes ir purvą nuo belaidžio bloko kontakto ir išvalykite angą.
	Vakuuminio valymo įrenginio parengties jungiklis nenustatytas ties „AUTO“.	Vakuuminio valymo įrenginio parengties jungiklį nustatykite ties „AUTO“.
	Nėra maitinimo	Prijunkite įrankio ir vakuuminio valymo įrenginio maitinimą.
	Netinkamai atlikta procedūra	Trumpai paspauskite belaidžio aktyvinimo mygtuką ir iš naujo atlikite įrankio nustatymo / atšaukimo procedūras.
	Įrankis ir vakuuminis valymo įrenginys yra toli vienas nuo kito (už perdavimo diapazono ribų).	Padėkite įrankį ir vakuuminį valymo įrenginį arčiau vienas kito. Didžiausias perdavimo atstumas yra maždaug 10 m, bet jis gali skirtis pagal aplinkybes.
	Prieš baigiant įrankio registravimą / atšaukimą: - įjungiamas įrankio jungiklis arba - paspaudžiamas vakuuminio valymo įrenginio maitinimo mygtukas.	Trumpai paspauskite belaidžio aktyvinimo mygtuką ir iš naujo atlikite įrankio nustatymo / atšaukimo procedūras.
	Neatliktos įrankio nustatymo procedūros įrankyje arba vakuuiniame valymo įrenginyje.	Tuo pačiu metu atlikite įrankio nustatymo procedūras įrankyje ir vakuuiniame valymo įrenginyje.
	Kitų prietaisų, generuojančių didelio intensyvumo radijo bangas, keliami radijo bangų trikdžiai.	Patraukite įrankį ir vakuuminį valymo įrenginį toliau nuo tokių prietaisų kaip belaidžio ryšio įrenginiai ir mikrobangų krosnelės.
Vakuuminis valymo įrenginys neveikia įjungus įrankio jungiklį.	Belaidis blokas neįdėtas į įrankį. Belaidis blokas netinkamai įdėtas į įrankį.	Taisyklingai įdėkite belaidį bloką.
	Belaidžio bloko kontaktas ir (arba) anga yra purvini.	Švelniai nuvalykite dulkes ir purvą nuo belaidžio bloko kontakto ir išvalykite angą.
	Belaidžio aktyvinimo mygtukas ant įrankio nebuvo paspaustas.	Trumpai paspauskite belaidžio aktyvinimo mygtuką ir patikrinkite, ar belaidžio aktyvinimo lemputė mirksi mėlynai.
	Vakuuminio valymo įrenginio parengties jungiklis nenustatytas ties „AUTO“.	Vakuuminio valymo įrenginio parengties jungiklį nustatykite ties „AUTO“.
	Vakuuiniame valymo įrenginyje yra nustatyta daugiau kaip 10 įrankių.	Iš naujo nustatykite įrankį. Jei vakuuiniame valymo įrenginyje nustatyta daugiau kaip 10 įrankių, anksčiausiai nustatytas įrankis bus automatiškai atšauktas.
	Vakuuminis valymo įrenginys ištrynė visus įrankių nustatymus.	Iš naujo nustatykite įrankį.
	Nėra maitinimo	Prijunkite įrankio ir vakuuminio valymo įrenginio maitinimą.
	Įrankis ir vakuuminis valymo įrenginys yra toli vienas nuo kito (už perdavimo diapazono ribų).	Padėkite įrankį ir vakuuminį valymo įrenginį arčiau vienas kito. Didžiausias perdavimo atstumas yra maždaug 10 m, bet jis gali skirtis pagal aplinkybes.
	Kitų prietaisų, generuojančių didelio intensyvumo radijo bangas, keliami radijo bangų trikdžiai.	Patraukite įrankį ir vakuuminį valymo įrenginį toliau nuo tokių prietaisų kaip belaidžio ryšio įrenginiai ir mikrobangų krosnelės.
Vakuuminis valymo įrenginys veikia įrankiui neveikiant.	Kiti naudotojai naudoja belaidį vakuuminio valymo įrenginio aktyvinimą su savo įrankiais.	Išjunkite kitų įrankių belaidžio aktyvinimo mygtuką arba atšaukite kitų įrankių nustatymą.

TECHNINĖ PRIEŽIŪRA

▲PERSPĖJIMAS: Visuomet įsitikinkite, ar įrankis yra išjungtas ir akumulatoriaus kasėtė yra nuimta prieš atlikdami apžiūrą ir priežiūrą.

▲PERSPĖJIMAS: Išvalykite apsauginį įtaisą, kad neiliktų susikaupusių pjūvenų, kurios gali trukdyti veikti apsaugos sistemai. Nešvari apsaugos sistema gali tinkamai neveikti ir dėl to galima sunkiai susižaloti. Norint išvalyti efektyviausiai, reikia naudoti suslėgtą orą. **Pučiant pjūvenas iš apsauginio įtaiso, būtina naudoti tinkamą akių ir kvėpavimo organų apsaugą.**

PASTABA: Niekada nenaudokite gazolino, benzino, tirpiklio, spirito arba panašių medžiagų. Gali atsirasti išblukimų, deformacijų arba įtrūkimų.

0° ir 45° kampo pjūvio tikslumo nustatymas

PASTABA: Nereguliuokite svirčių –1° įstrižajam kampui, nustatydami 0° kampo pjūvio tikslumą.

PASTABA: Nereguliuokite svirčių 48° įstrižajam kampui, nustatydami 45° kampo pjūvio tikslumą.

Šis reguliavimas atliktas gamykloje. Jei įrankis išsireguliuo, jį galite vėl sureguliuoti, atlikdami toliau aprašytą procedūrą.

1. Šiek tiek atlaisvinkite suveržimo varžtus įrankio priekyje ir gale.

2. Disko pjovimo kampo reguliavimas.

► **Pav.45:** 1. Trikampė liniuotė

Reguliuodami 0° kampo pjūvio tikslumą, naudokite trikampę, stataus kampo ar pan. liniuotę ir sukdami reguliavimo varžtą nustatykite, kad pagrindas būtų statmenas diskui.

► **Pav.46:** 1. 0° kampo pjūvio varžto reguliavimas

Reguliuodami 45° kampo pjūvio tikslumą, naudokite trikampę liniuotę ir sukdami reguliavimo varžtą nustatykite, kad pagrindas būtų nukreiptas į diską 45° kampu.

► **Pav.47:** 1. 45° kampo pjūvio varžto reguliavimas

3. Priveržkite suveržimo varžtus ir pabandykite pjauti.

Kad gaminys būtų SAUGUS ir PATIKIMAS, jį taisyti, apžiūrėti ar vykdyti bet kokią kitą priežiūrą ar derinimą turi įgaliotasis kompanijos „Makita“ techninės priežiūros centras; reikia naudoti tik kompanijos „Makita“ pagamintas atsargines dalis.

PASIRENKAMI PRIEDAI

▲PERSPĖJIMAS: Šiuos papildomus priedus arba įtaisykus rekomenduojama naudoti su šioje instrukcijoje nurodytu „Makita“ bendrovės įrankiu. Naudojant bet kokius kitus papildomus priedus arba įtaisykus, gali kilti pavojus sužeisti žmones. Naudokite tik nurodytam tikslui skirtus papildomus priedus arba įtaisykus.

Jeigu norite daugiau sužinoti apie tuos priedus, kreipkitės į artimiausią „Makita“ techninės priežiūros centrą.

- Apvalus pjovimo diskas
- Pagalbinis pagrindas
- Šešiakampis veržliaraktis
- Kreipiamoji juosta
- Įstrižo pjūvio kreiptuvas
- Veržtuvas
- Lakštas
- Guminis lakštas
- Padėties nustatymo lakštas
- Belaidis blokas (skirtas DSP601)
- Originalus „Makita“ akumulatorius ir įkroviklis

PASTABA: Kai kurie sąrašė esantys priedai gali būti pateikti įrankio pakuotėje kaip standartiniai priedai. Jie įvairiose šalyse gali skirtis.

TEHNILISED ANDMED

Mudel:	DSP600	DSP601
Tera läbimõõt	165 mm	
Max. lõikesügavus	0° juures	56 mm
	45° kaldserva juures	40 mm
	48° kaldserva juures	38 mm
Koormuseta kiirus	2 500 - 6 300 min ⁻¹	
Üldpikkus	346 mm	
Nimipinge	Alalisvool 36 V	
Netokaal	4,4 - 5,1 kg	

- Meie pideva uuringu- ja arendusprogrammi tõttu võidakse tehnilisi andmeid muuta ilma sellest ette teatamata.
- Tehnilised andmed ja akukassett võivad riigiti erineda.
- Kaal võib erineda olenevalt lisaseadistest, kaasa arvatud akukassetist. Kergeim ja raskeim kombinatsioon EPTA-protseduuri 01/2014 kohaselt on toodud tabelis.

Sobiv akukassett ja laadija

Akukassett	BL1815N / BL1820B / BL1830B / BL1840B / BL1850B / BL1860B
Laadija	DC18RC / DC18RD / DC18RE / DC18SD / DC18SE / DC18SF / DC18SH / DC18WC

- Mõned eespool loetletud akukassetid ja -laadijad ei pruugi olla teie riigis saadaval.

⚠ HOIATUS: Kasutage ainult ülalpool loetletud akukassette ja laadijaid. Muude akukassetide ja laadijate kasutamine võib tekitada vigastusi ja/või tulekahju.

Kavandatud kasutus

Tööriist on spetsiaalselt ette nähtud puidu sukelduslõigetegemiseks. Samuti on tööriist ette nähtud puidu piki ja risti puusüüga lõikamiseks. Kui tööriist on varustatud sobiva ketassaeteraga, võib sellega ka alumiiniumi, plasti, mineraalisisaldusega plasti jt sarnaseid materjale saagida.

Müra

Tüüpiline A-korrigeeritud müratase, määratud standardi EN62841-2-5 kohaselt:

Mudel DSP600

Helirõhutase (L_{pA}): 95 dB (A)
 Helivõimsuse tase (L_{WA}): 103 dB (A)
 Määramatus (K): 3 dB (A)

Mudel DSP601

Helirõhutase (L_{pA}): 95 dB (A)
 Helivõimsuse tase (L_{WA}): 103 dB (A)
 Määramatus (K): 3 dB (A)

MÄRKUS: Deklareeritud müra väärtust (väärtuseid) on mõeldud kooskõlas standardse katsemeetodiga ning seda võib kasutada ühe seadme võrdlemiseks teisega.

MÄRKUS: Deklareeritud müra väärtust (väärtuseid) võib kasutada ka mürataseme esmaseks hindamiseks.

⚠ HOIATUS: Kasutage kõrvakaitsmeid.

⚠ HOIATUS: Müratase võib elektritööriista tegevikkuses kasutamise ajal erineda deklareeritud väärtus(t)est olenevalt tööriista kasutusviisidest ja eriti töödeldavast toorikust.

⚠ HOIATUS: Rakendage operaatori kaitsmiseks kindlasti piisavaid ohutusabinõusid, mis põhinevad hinnangulisel müratasemel tegelikus tööolukorras (võttes arvesse tööperioodi kõiki osasid, näiteks korrad, kui seade lülitatakse välja ja seade töötab tühikäigul, lisaks tööajale).

Vibratsioon

Vibratsiooni koguväärtus (kolmeteljeliste vektorite summa) määratud standardi EN62841-2-5 kohaselt:

Mudel DSP600

Töörežiim: puidu saagimine
 Vibratsiooniindeksi ($a_{h,W}$): 2,5 m/s² või vähem
 Määramatus (K): 1,5 m/s²

Töörežiim: metalli lõikamine
 Vibratsiooniindeksi ($a_{h,M}$): 2,5 m/s² või vähem
 Määramatus (K): 1,5 m/s²

Mudel DSP601

Töörežiim: puidu saagimine
 Vibratsiooniindeksi ($a_{h,W}$): 2,5 m/s² või vähem
 Määramatus (K): 1,5 m/s²

Töörežiim: metalli lõikamine
 Vibratsiooniindeksi ($a_{h,M}$): 2,5 m/s² või vähem
 Määramatus (K): 1,5 m/s²

MÄRKUS: Deklareeritud vibratsiooni koguväärtust (-väärtuseid) on mõõdetud kooskõlas standardse katsemeetodiga ning seda võib kasutada ühe seadme võrdlemiseks teisega.

MÄRKUS: Deklareeritud vibratsiooni koguväärtust (-väärtuseid) võib kasutada ka mürataseme esmaseks hindamiseks.

⚠️HOIATUS: Vibratsioonitase võib elektritööriista tegelikkuses kasutamise ajal erineda deklareeritud väärtus(t)est olenevalt tööriista kasutusviisidest ja eriti töödeldavast toorikust.

⚠️HOIATUS: Rakendage operaatori kaitseks kindlasti piisavaid ohutusabinõusid, mis põhinevad hinnangulisel müratasemel tegelikus töösihtsuunas (võttes arvesse tööperioodi kõiki osasid, näiteks korrad, kui seade lülitatakse välja ja seade töötab tühikäigul, lisaks tööajale).

Vastavusdeklaratsioon

Ainult Euroopa riikide puhul

Vastavusdeklaratsioonid on selle juhendi A-lisas.

OHUTUSHOIATUSED

Üldised elektritööriistade ohutushoiatused

⚠️HOIATUS Lugege läbi kõik selle elektritööriista kaasas olevad ohutushoiatused, juhised, illustatsioonid ja tehnilised andmed. Alljärgnevate juhiste eiramine võib põhjustada elektrilöögi, süttimise ja/või raske kehavigastuse.

Hoidke edaspidisteks viide- teks alles kõik hoiatused ja juhtnöörid.

Hoiatustes kasutatud termini „elektritööriist“ all peetakse silmas elektriga töötavaid (juhtmega) elektritööriistu või akuga töötavaid (juhtmeta) elektritööriistu.

Juhtmeta ketassae ohutunõuded

Lõikamine

- ⚠️OHT:** Hoidke käed lõikepiirkonnast ja -terast eemal. Hoidke oma teist kätt abikäepidemel või mootori korpusel. Kui tööriista hoiatatakse mõlema käega, siis ei satu need lõiketera ette.
- Ärge kummardage töödeldava detaili alla.** Piire ei kaitse teid lõiketera eest töödeldava detaili all.
- Reguleerige lõikesügavust vastavalt töödeldava detaili paksusele.** Töödeldava detaili all peavad olema näha lõiketera hambad vähem kui terve hamba kõrguse ulatuses.
- Ärge hoidke mitte kunagi töödeldavat detaili lõikamise ajal käes ega põlve peal.** Kinnitage töödeldav detail stabiilsele alusele. Oluline on töödeldavat detaili õigesti toestada, et vähendada keha kaitseta jätmist, lõiketera kinnikiilumist või

kontrolli kaotust.

► Joon.1

- Hoidke elektritööriista isoleeritud käepidemetest, kui töotate kohtades, kus lõikeriist võib kokku puutuda peidetud juhtmetega.** Kokkupuude voolu all oleva juhtmega võib pingetada ka elektritööriista katmata metallosad ning operaator võib saada elektrilöögi.
- Pikilõikamisel kasutage alati piiret või sirge serva juhikut.** See parandab lõike täpsust ja vähendab lõiketera kinnikiilumise võimalust.
- Kasutage alati õige suuruse ja kujuga (teemantavalise asemel) vööliiakudega lõiketerasid.** Sae konstruktsiooniga mitteühitvad lõiketerad hakkavad liikuma ekstsentriliselt, põhjustades kontrolli kaotuse tööriista üle.
- Ärge kasutage kahjustunud ega nõuetele mittevastavaid lõiketera seibe ega polti.** Optimaalse töövõime ja -ohutuse tagamiseks on lõiketera seibid ja polt spetsiaalselt välja töötatud teie saele.

Tagasilöögi põhjused ja sellega seotud hoiatused

- tagasilöökk on äkiline reaktsioon kinni kiilunud, kinni pigistatud või orientatsiooni kaotanud saeterrale, mis põhjustab tööriista üleskerkimist ja väljumist töödeldavast detailist operaatori poole;
- kui lõiketera on sisselõikesse tihedalt kinni pigistatud või kinni kiilunud, siis lõiketera seiskub ja mootori reaktsiooni tõttu juhitakse seade kiiresti tagasi operaatori poole;
- kui lõiketera on sisselõikes väänunud või orientatsiooni kaotanud, võivad lõiketera tagumise serva hambad kaevuda puidu pealispinda ning põhjustada lõiketera ülespoole tõusmise sisselõikest ja pörkimise tagasi operaatori poole.

Tagasilöökk on sae väärkasutuse ja/või ebaõigete tööoperatsioonide või -tingimuste tulemus, mida on võimalik vältida, kui järgitakse alljärgnevat asjakohaseid ettevaatusabinõusid.

- Hoidke saest mõlema käega kindlalt kinni ja seadke käsivarred asendisse, et vastu panna tagasilöögi jõududele. Olge ükskõik kummal pool lõiketera, kuid mitte otse selle taga.** Tagasilöökk võib põhjustada tööriista järsu tahapoole liikumise, kuid asjakohaseid ettevaatusabinõusid järgides saab operaator tagasilöögi jõudusid kontrolli all hoida.
- Kui lõiketera kiilub kinni või katkestab mingil põhjusel lõikamise, vabastage päästik ja hoidke tööriista liikumatul materjalil, kuni tera on täielikult seiskunud. Ärge kunagi püüdke saagi eemaldada töödeldavast detailist ega tõmmake saagi tahapoole, kui lõiketera liigub või esineb tagasilöögioht.** Tehke kindlaks lõiketera kinnikiilumise põhjus ja kõrvaldage see.
- Sae taaskäivitamisel töödeldavas detailis tsentreerige saetera sisselõikes nii, et saehambad ei löikuku materjalisse.** Kui saetera on materjali sisse surutud, võib see sae taaskäivitamisel kerkida või töödeldavast detailist tagasilöögi anda.
- Lõiketera kinnikiilumise ja tagasilöögiriski minimeerimiseks teostage suured paneelid.** Suured paneelid kalduvad omaenese raskuse all painduma. Toed tuleb paigutada paneeli mõlema

küljele alla löikekoha ja paneeliserva lähedale.

► Joon.2

► Joon.3

5. **Ärge kasutage nürsid ega vigastatud lõiketerasid.** Teritamata või vääralt paigaldatud lõiketerade kasutamise tulemuseks on kitsas sisselõige, mis põhjustab liigset hõõrdumist, lõiketera kinnikiilumist ja tagasilööki.
6. **Lõiketera sügavuse ja faasi reguleerimise lukustushoovad peavad olema enne lõikamist pinguldatud ja kindlalt kinnitatud.** Kui lõiketera seadistus lõikamise ajal nihkub, võib see põhjustada kinnikiilumise ja tagasilöögi.
7. **Olge eriti ettevaatlik, kui teostate lõikeid olemasolevatesse seintesse või muudes varjatud piirkondades.** Väljaulatuv lõiketera võib lõikuda objektidesse, mis võivad põhjustada tagasilöögi.
8. **Hoidke ALATI tööriista kindlalt kahe käega.** Ärge pange oma kätt, jalga ega mingit muud kehaosa KUNAGI tööriistaaluse alla ega sae taha, eriti ristlõigete tegemise ajal. Kui tekib tagasilöök, võib saag hõlpsasti hüpata tahapoole üle teie kae ja põhjustada tõsise kehavigastuse.
- Joon.4
9. **Ärge kunagi kasutage sae suhtes jõudu.** Lükake saagi ettepoole sellise kiirusega, et tera lõikab kiirust vähendamata. Jõu kasutamine võib põhjustada lõigete ebatsasuse, täpsuse kaotuse ja võimaliku tagasilöögi.

Kaitsefunktsioon

1. **Enne igakordset kasutamist kontrollige kaitse õiget sulgemist.** Ärge töötage saega, kui piire ei liigu vabalt ega sulge lõiketera kohe. Ärge kunagi kinnitage piiret klambriga ega siduge seda nii, et lõiketera on katmata. Kui saag on juhuslikult maha kukkunud, võib piire olla paindunud. Kontrollige piiret ja veenduge, et see liiguks vabalt ega puudutaks lõiketera, mingit muud sae osa üheski nurgas ega mingil lõikesügavusel.
2. **Kontrollige toimingut ja piirde tagasitõmbedvedru seisukorda.** Kui piire ja vedru ei tööta korrektselt, tuleb neid enne tööriista kasutamist hooldada. Piire võib töötada aeglaselt kahjustunud osade, kummisette või lõikamisjääkide kogunemise tõttu.
3. **Veenduge, et sae alusplaat sukelduslõike ajal ei nihkuks.** Tera nihkumine küljele põhjustab kinnijäämise ja tõenäolise tagasilöögi.
4. **Enne sae pingile või pörandale asetamist jälgige alati, et alumine piire kataks lõiketera.** Kaitsmata, vabalt liikuv tera võib põhjustada sae tahapoole liikumise ja lõikumise ükskõik millesse oma liikumisteel. Olge teadlik ajast, mis kulub lõiketera seiskumiseks pärast tööriista väljalülitamist.

Lisaohutusnõuded

1. **Olge eriti ettevaatlik märja puidu, survetöötlemise läbinud saematerjali või oksakohtadega puidu lõikamisel.** Tagage tööriista sujuv liikumine lõiketera kiirust vähendamata, et vältida lõiketera tippude ülekuumenemist, ja plasti lõikamisel vältige selle sulatamist.
2. **Ärge püüdke eemaldada lõigatavat materjali lõiketera liikumise ajal.** Enne lõigatavast

materjalist kinni haaramist oodake, kuni lõiketera seiskub. Terad liiguvad peale sae väljalülitamist vabakäiguga edasi.

3. **Vältige naeltesse sisselõikamist.** Enne lõikamist kontrollige saematerjali ja eemaldage sellest kõik naelad.
4. **Asetage saekorpuse laiem osa töödeldava detaili selle poole peale, mis on kindlalt toetatud, mitte sinna, mis pärast lõikamist küljest ära kukub.** Kui töödeldav detail on lühike või väike, tuleb see pitskruidudega kinnitada. **ÄRGE PÜÜDKE HOIDA LÜHIKESI TÜKKE KÄEGA!**
- Joon.5
5. **Enne tööriista maha asetamist pärast lõikamise lõpetamist veenduge, et piire oleks suletud ja lõiketera täielikult seiskunud.**
6. **Ärge kunagi püüdke saagida rakises tagurpidi asendis hoitava ketassaega.** See on väga ohtlik ja võib põhjustada tõsiseid õnnetusi.
- Joon.6

7. **Mõned materjalid võivad sisaldada mürgiseid aineid.** Võtke meetmed tolmu sissehingamise ja nahaga kokkupuute vältimiseks. Järgige materjali tarnija ohutusteavet.
8. **Ärge püüdke lõiketerasid seisata neid külgsuunas surudes.**
9. **Ärge kasutage abrasiivkettaid.**
10. **Kasutage saeterade puhul ainult sellist läbimõõtu, mis on märgitud tööriistale või määratud kindlaks kasutusjuhendis.** Vale suurusega lõiketera kasutamine võib negatiivselt mõjutada lõiketera nõuetekohast kaitset või kaitsepiirde funktsioneerimist, mille tagajärjeks võib olla raske kehavigastus.
11. **Hoidke lõiketera terava ja puhtana.** Kõvastunud kumm ja puuvaik lõiketeradel aeglustab sae tööd ning suurendab tagasilöögi tekkimise võimalust. Hoidke lõiketera puhtana, eemaldage see esmalt tööriista küljest, seejärel puhastage seda kummi- ja puuvaigu eemaldusvahendi, kuuma vee või petrooleumiga. Ärge kunagi kasutage bensiini.
12. **Tööriista kasutamisel kandke tolmumaski ja kuulmiskaitsevahendeid.**
13. **Kasutage alati lõigatava materjali lõikamiseks ettenähtud saetera.**
14. **Kasutage ainult selliseid saeteri, millele märgitud kiirus on võrdne tööriistale märgitud kiirusega või sellest suurem.**
15. **(Ainult Euroopa riikide puhul)** Kasutage puidu või muu sarnase materjali saagimiseks alati standardile EN847-1 vastavat saetera.

HOIDKE JUHEND ALLES.

⚠ HOIATUS: ÄRGE UNUSTAGE järgida toote ohutusnõudeid mugavuse või toote (korduskasutamise saavutatud) hea tundmise tõttu. VALE KASUTUS või kasutusjuhendi ohutuseeskirjade eiramine võib põhjustada tervisekahjustusi.

Akukassetiga seotud olulised ohutusjuhised

1. Enne akukassetti kasutamist lugege (1) akulaadial, (2) akul ja (3) seadmel olevad juhtnõidrid ja hoiatused läbi.
2. Ärge võtke akukassetti lahti ega muutke seda. See võib põhjustada tulekahju, liigset kuumust või plahvatuse.
3. Kui tööaeg järsult lüheneb, siis lõpetage kohe kasutamine. Edasise kasutamise tulemuseks võib olla ülekuumenemine, võimalikud põletused või isegi plahvatus.
4. Kui elektrolüüti satub silma, siis loputage silma puhta veega ja pöörduge koheselt arsti poole. Selline õnnetus võib põhjustada pimedaksjäämist.
5. Ärge tekitage akukassetis lühist:
 - (1) Ärge puutuge klemme elektrijuhtidega.
 - (2) Ärge hoidke akukassetti tööriistakastis koos metallesemetega, nagu naelad, mündid jne.
 - (3) Ärge tehke akukassetti märjaks ega jätke seda vihma kätte.Aku lühis võib põhjustada tugevat elektri-voolu, ülekuumenemist, põletusi ning ka seadet tõsiselt kahjustada.
6. Ärge hoidke ega kasutage tööriista ja akukassetti kohtades, kus temperatuur võib tõusta üle 50 °C (122 °F).
7. Ärge põletage akukassetti isegi siis, kui see on saanud tõsiselt vigastada või on täiesti kurnunud. Akukassett võib tules plahvatada.
8. Ärge naelutage, löigake, muljuge, visake akukassetti ega laske sel kukkuda, samuti ärge lööge selle pihta kõva esemega. Selline tegevus võib põhjustada tulekahju, liigset kuumust või plahvatuse.
9. Ärge kasutage kahjustatud akut.
10. Sisalduvatele liitium-ioonakudele võivad kohalduda ohtlike kaupade õigusaktide nõuded.

Kaubanduslikul transportimisel, näiteks kolmandate poolte või transpordiettevõtete poolt, tuleb järgida pakendil ja siltidel toodud erinõudeid. Transportimiseks ettevalmistamisel on vajalik pida nõu ohtliku materjali eksperdigiga. Samuti tuleb järgida võimalike riiklike regulatsioonide üksikasjalikumaid nõudeid.

Katke teibiga või varjake avatud kontaktid ja pakendage aku selliselt, et see ei saaks pakendis liikuda.
11. Kasutuskõlbmatuks muutunud akukassetti kõrvaldamiseks eemaldage see tööriistast ja viige selleks ette nähtud kohta. Järgige kasutuskõlbmatuks muutunud aku kõrvaldamisel kohalikke eeskirju.
12. Kasutage akusid ainult Makita heaks kiidetud toodetega. Akude paigaldamine selleks mitte ettenähtud toodetele võib põhjustada süttimist, ülemäärast kuumust, plahvatamist või elektrolüüdi lekkimist.
13. Kui tööriista ei kasutata pika ajaperioodi jooksul, tuleb aku tööriistast eemaldada.

14. Kasutamise ajal ja pärast kasutamist võib akukassett kuumeneda, mis võib põhjustada põletusi või madala temperatuuri põletusi. Olge kuuma akukassetti kandmisel ettevaatlik.
15. Ärge puudutage tööriista klemmi kohe pärast kasutamist, sest see võib olla kuum ja põhjustada põletusi.
16. Hoidke akukassetti klemmid, avad ja sooned tükikestest, tolmust ja mullast puhtad. See võib põhjustada tööriista või aku ülekuumenemist, süttimist, purunemist ja talitlushäireid, mis võib lõppeda põletuste või kehavigastustega.
17. Kui tööriist ei kannata kasutamist kõrgepingeliinide lähedal, ärge kasutage akukassetti kõrgepingeliinide lähedal. Muidu võib tööriist või akukassett puruneda või sellel tõrge tekkida.
18. Hoidke akut lastele kättesaamatult.

HOIDKE JUHEND ALLES.

⚠ETTEVAATUST: Kasutage ainult Makita originaalakusid. Mitte Makita originaalakude või muudetud akude kasutamine võib põhjustada akude süttimise, kehavigastuse ja kahjustuse. Samuti muudab see kehtetuks Makita tööriista ja laadija Makita garantii.

Vihjeid aku maksimaalse kasutusaja tagamise kohta

1. Laadige akukassetti enne selle täielikku tühjenemist. Kui märkate, et tööriist töötab väiksema võimsusega, peatage töö ja laadige akukassetti.
2. Ärge laadige täielikult laetud akukassetti. Ülelaadimine lühendab akude kasutusaja.
3. Laadige akukassetti toatemperatuuril 10 °C - 40 °C. Enne laadimist laske kuumenenud akukassetil maha jahtuda.
4. Kui te ei kasuta parajasti akukassetti, eemaldage see tööriistast või laadurist.
5. Kui te ei kasuta akukassetti kauem kui kuus kuud, laadige see.

Juhtmeta seadmega seotud olulised ohutusjuhised

1. Ärge võtke juhtmeta seadet lahti ega muutke seda omavoliiliselt.
2. Hoidke juhtmeta seadet lastele kättesaamatus kohas. Kogemata allaneelamise korral pöörduge kohe arsti poole.
3. Kasutage juhtmeta seadet ainult koos Makita tööriistadega.
4. Ärge jätke juhtmeta seadet vihma kätte ega märga keskkonda.
5. Ärge kasutage juhtmeta seadet kohtades, kus temperatuur on üle 50 °C.
6. Ärge kasutage juhtmeta seadet kohtades, kus leidub meditsiinilisi seadmeid, nagu südamestimulaatorid.
7. Ärge kasutage juhtmeta seadet kohtades, kus leidub automatiseeritud seadmeid. Muidu võib automatiseeritud seadmetel esineda talitushäireid või need võivad minna rikki.

8. Ärge töötage juhtmeta seadmega kohtades, kus on kõrge temperatuur ja kus võib esineda staatilist elektrit või elektrilist müra.
9. Juhtmeta seadmed võivad tekitada elektromagnetvälju (EMV), mis ei ole kasutajale kahjulikud.
10. Juhtmeta seade on täppisseade. Olge ettevaatlik, ärge laske juhtmevabal seadmel maha kukkuda ja vältige lööke.
11. Ärge puudutage juhtmeta seadme klemmi paljaste käte või metallesemetega.
12. Juhtmeta seadme tööriista sisse paigaldamisel eemaldage tootest alati aku.
13. Ärge avage pesa katet kohas, kus tolm või vesi võivad pesasse sattuda. Hoidke pesa siselaskeava alati puhtana.
14. Sisestage juhtmeta seade alati õiges suunas.
15. Ärge vajutage juhtmeta seadme juhtmeta aktiveerimise nupule liiga tugevalt ja/või ärge tehke seda teravate servadega esemega.
16. Sulgege pesa kaas alati pärast kasutamist.
17. Ärge eemaldage juhtmeta seadet pesast ajal, kui tööriista varustatakse toitega. Selle juhise järgimata jätmine võib tekitada juhtmeta seadme talitlushäireid.
18. Ärge eemaldage juhtmevabalt seadmelt kleebist.
19. Ärge pange juhtmevabale seadmele mingeid kleebiseid.
20. Ärge jätke juhtmeta seadet kohta, kus võib esineda staatilist elektrit või elektrilist müra.
21. Ärge jätke juhtmeta seadet kohta, kus on väga kuum, nt päikese kätte seisvasse autosse.
22. Ärge jätke juhtmeta seadet tolmusesse või pulbrilisse kohta või kohta, kus võib esineda söövitavaid gaase.
23. Äkiline temperatuuri muutumine võib tekitada juhtmeta seadme pinnale niiskuskihki. Ärge kasutage juhtmeta seadet enne, kui kogunenud niiskus on täielikult ära kuivanud.
24. Juhtmeta seadme puhastamisel pühkige seda õrnalt pehme lapiga. Ärge kasutage bensiini, lahusteid, juhtvaid määreid vms.
25. Juhtmeta seadme hoiustamisel hoidke seda komplekti kuuluvas kabis või staatikavabas konteineris.
26. Ärge sisestage tööriista pesasse muid seadmeid kui Makita juhtmeta seade.
27. Ärge kasutage tööriista, kui pesa kaas on kahjustunud. Pessa sattuvad vesi, tolm või mustus võivad põhjustada talitlushäireid.
28. Ärge tõmmake ega väänake pesa katet rohkem kui vajalik. Kui tööriistalt tuleb kaas ära, siis pange see oma kohale tagasi.
29. Asendage pesa kaas, kui see on läinud kaduma või kahjustunud.

HOIDKE JUHEND ALLES.

FUNKTSIONAALNE KIRJELDUS

⚠ETTEVAATUST: Kandke alati hoolt selle eest, et tööriist oleks enne reguleerimist ja kontrollimist välja lülitatud ja akukassett eemaldatud.

Akukasseti paigaldamine või eemaldamine

⚠ETTEVAATUST: Lülitage tööriist alati enne akukasseti paigaldamist või eemaldamist välja.

⚠ETTEVAATUST: Akukasseti paigaldamisel või eemaldamisel tuleb tööriista ja akukassetti kindlalt paigal hoida. Kui tööriista ja akukassetti ei hoita kindlalt paigal, võivad need käest libiseda ning kahjustada tööriista ja akukassetti või põhjustada kehavigastusi.

Akukasseti paigaldamiseks joondage akukassetti keel korpuse soonega ja libistage kassett oma kohale. Sisestage see tervenisti, kuni see lukustub klõpsuga oma kohale. Kui näete joonisel näidatud punast näidikut, pole see täielikult lukustunud.

Akukasseti eemaldamiseks libistage see tööriista küljest lahti, vajutades kasseti esiküljel paiknevat nuppu alla.

► **Joon.7:** 1. Punane näidik 2. Nupp 3. Akukassett

⚠ETTEVAATUST: Paigaldage akukassett alati täies ulatuses nii, et punast osa ei jääks näha.

Muidu võib adapter juhuslikult tööriistast välja kukkuda ning põhjustada teile või läheduses viibivatele isikutele vigastusi.

⚠ETTEVAATUST: Ärge rakendage akukassetti paigaldamisel jõudu. Kui kassett ei lähe kergesti sisse, pole see õigesti paigaldatud.

MÄRKUS: Tööriist ei tööta ainult ühe akukassetiga.

Tööriista/aku kaitsesüsteem

Tööriist on varustatud tööriista või aku kaitsesüsteemiga. Süsteem lülitab mootori automaatselt välja, et pikendada tööriista ja aku tööiga. Tööriist seiskub käitamise ajal automaatselt, kui tööriista või aku kohta kehtib üks järgmistest tingimustest. Teatud tingimustes hakkavad indikaatorid põlema.

Ülekoormuskaitse

Kui tööriist hakkab kasutamise käigus tarbima ebaharilikult palju voolu, seiskub see automaatselt. Sellisel juhul lülitage tööriist välja ja lõpetage kasutamine, mis põhjustas tööriista ülekoormuse. Pärast seda käivitage tööriist uuesti.

Ülekuumenemiskaitse

Kui tööriist on ülekuumenenud, seiskub see automaatselt ja aku indikaator vilgub umbes 60 sekundit. Sellises olukorras laske tööriistal enne uuesti sisselülitamist maha jahtuda.

<input type="checkbox"/> põleb	<input type="checkbox"/> vilgub

Ülelaadimiskaitse

Kui aku laetuse tase on madal, siis seiskub tööriist automaatselt. Kui seade ei hakka tööle ka lüliti kasutamisel, eemaldage tööriistast akud ja laadige neid.

Aku jääkmahutavuse näit

- **Joon.8:** 1. Akunäidik (ülemisele akule)
2. Kontrollimise nupp 3. Akunäidik (alumisele akule)

Aku järelejäänud mahutavuse kontrollimiseks vajutage kontrollimise nuppu. Kummalgi akul on oma akuindikaator.

Akunäidiku olek			Aku jääkmahutavus
<input type="checkbox"/> Põleb	<input type="checkbox"/> Ei põle	<input type="checkbox"/> Vilgub	
			50% kuni 100%
			20% kuni 50%
			0% kuni 20%
			Laadige akut

Aku jääkmahutavuse näit

Ainult näidikuga akukassettidele

Akukasseti järelejäänud mahutavuse kontrollimiseks vajutage kontrollimise nuppu. Märkulambid süttivad mõneks sekundiks.

- **Joon.9:** 1. Märkulambid 2. Kontrollimise nupp

Märkulambid			Jääkmahutavus
<input type="checkbox"/> Põleb	<input type="checkbox"/> Ei põle	<input type="checkbox"/> Vilgub	
			75 - 100%
			50 - 75%
			25 - 50%
			0 - 25%
			Laadige akut.

Märkulambid			Jääkmahutavus
<input type="checkbox"/> Põleb	<input type="checkbox"/> Ei põle	<input type="checkbox"/> Vilgub	
			Akul võib olla tõrge.

MÄRKUS: Näidatud mahutavus võib veidi erineda tegelikust mahutavusest olenevalt kasutustingimustest ja ümbritseva keskkonna temperatuurist.

MÄRKUS: Esimene (taga vasakul asuv) märkulamb vilgub, kui akukaitsesüsteem töötab.

Automaatne kiiruse muutmise funktsioon

MÄRKUS: Automaatne kiiruse muutmise funktsioon on saadaval ainult juhul, kui kiiruse reguleerimisnupp on seatud asendisse 5.

Tööriistal on „suure kiiruse režiim“ ja „suure pöördemomendi režiim“.

Tööriist muudab olenevalt töökoormusest automaatselt töörežiimi. Kui töökoormus on väike, töötab tööriist kiiremini löikamiseks „suure kiiruse režiimis“. Kui töökoormus on suur, töötab tööriist suurema võimsusega löikamiseks „suure pöördemomendi režiimis“.

- **Joon.10:** 1. Režiiminäidik

Režiimiindikaator süttib roheliselt, kui tööriist töötab „suure pöördemomendi režiimis“.

Kui tööriista kasutatakse liiga suurel koormusel, hakkab režiimiindikaator roheliselt vilkuma. Režiimiindikaator lõpetab vilkumise ja jääb põlema või kustub, kui vähendate tööriista koormust.

Režiiminäidiku olek			Töörežiim
<input type="checkbox"/> Põleb	<input type="checkbox"/> Ei põle	<input type="checkbox"/> Vilgub	
			Suure kiiruse režiim
			Suure pöördemomendi režiim
			Ülekuumenemise hoiatus

Löikesügavuse reguleerimine

⚠ETTEVAATUST: Pärast löikesügavuse reguleerimist pingutage pitskrivi alati korralikult.

Vabastage pitskrivi sügavuspierdelt ja viige tera alampiiri seiskur skaalplaadi soovitavasse sügavusse. Sobivas löikesügavuses kinnitage pitskruid tugevasti. Puhtamate ja ohutumate löigete tegemiseks seadke löikesügavus selliselt, et töödeldavast detailist allapoole ei ulatuks rohkem kui üks terahammas. Õige löikesügavuse kasutamine aitab vähendada kehavigastusi põhjustada võivate ohtlike TAGASILÖÖKIDE võimalust.

Kiirseiskamisnupp 2-3 mm sügavusega lõike jaoks juhtpiirde (lisatarvik) kasutamisel

Sellel tööriistal on kiirseiskamisnupp 2-3 mm sügavusega lõigete tegemiseks mootorikatte peal, tagumise käepideme kõrval, juhtpiirde kasutamisel. Seda kasutatakse töödeldava detaili lõike ajal pindude vältimiseks. Liikuge 2-3 mm esimesest lõikest mööda ja siis liikuge harilikust lõikest uuesti mööda.

► **Joon.12:** 1. Kiirseiskamisnupp

2-3 mm lõikesügavuse saavutamiseks vajutage kiirseiskamisnupu saetera suunas. See on otstarbekohane, et töödeldaval detailil pindusid vältida.

Lõikesügavuse sellest asendist vabasse lõikesügavusse vabastamiseks tõmmake nuppu tagasi.

Kaldlõikamine

Keerake pitskruid lahti. Seadke kallutatud soovitud kaldenurk ja kinnitage seejärel korralikult pitskruid.

► **Joon.13:** 1. Pitskruvi 2. Kaldenurga skaalplaad

► **Joon.14:** 1. Alumine alus (Valikuline tarvik)
2. Pitskruvi

Positiivne sulgur

Positiivne sulgur on kasulik vajaliku nurga kiiresti seadistamiseks. Pöörake positiivset seisurit nii, et selle peal olev nool osutaks 22,5°. Keerake ees ja taga asuvad pitskruid lahti. Seejärel kallutage tera, kuni see peatub, ja kinnitage alus pitskruidedega.

► **Joon.15:** 1. Positiivne sulgur 2. Pitskruvi

48° kaldlõikamine

48° kaldlõikamise jaoks vabastage pitskruid ja kallutage hooba lõpuni joonisel näidatud noole suunas. Seejärel seadke kaldenurgaks 48° ja pingutage pitskruid.

► **Joon.16:** 1. Hoob

-1° kaldlõikamine

-1° kaldlõikamise jaoks vabastage pitskruid ja suruge hoovad joonisel näidatud noole suunas. Seejärel seadke kaldenurgaks -1° ja pingutage pitskruid.

► **Joon.17:** 1. Hoob

Sihtimine

► **Joon.18:** 1. Alus

Olenevalt lõikenurgast ja juhtpiirde (lisatarvik) kasutamisest või mittekasutamisest on lõikejoon erinev.

Tööriista kasutamisel ilma juhtpiirdeta

Sirglõigete tegemiseks seadke punkt A aluse esiküljel lõikejoonega kohakuti. 45° kaldlõigete tegemiseks seadke sellega kohakuti punkt B.

Tööriista kasutamisel koos juhtpiirdedega

Sirg- ja 45° faasilõigete tegemiseks seadke punkt A alati aluse esiküljel lõikejoonega kohakuti.

Lüliti funktsioneerimine

▲HOIATUS: Kontrollige alati enne akukasseti tööriista külge paigaldamist, kas lüliti päästik funktsioneerib nõuetekohaselt ja liigub lahtilaskmisel tagasi väljalülitatud asendisse.

▲HOIATUS: Lahtilukustusnupu fikseerimine kleeplindi vms-ga on KEELATUD. Inaktiveeritud lahtilukustusnupuga lüliti võib põhjustada masina soovimatu sisselülitumise, millega kaasnevad tõsised vigastused.

▲HOIATUS: ÄRGE kasutage KUNAGI masinat, kui see käivitub ka siis, kui lahtilukustusnuppu vajutamata vajutate lihtsalt lüliti päästikut.

Remonti vajav lüliti võib põhjustada masina soovimatu sisselülitumise, millega kaasnevad tõsised vigastused. ENNE edasist kasutamist viige masin parandamiseks Makita teeninduskeskusesse.

Et vältida lüliti päästiku juhuslikku vajutamist, on tööriistal lahtilukustusnupp. Tööriista käivitamiseks vajutage lahtilukustusnuppu alla ja tõmmake lüliti päästikut. Vabastage lüliti päästik tööriista seisamiseks.

► **Joon.19:** 1. Lüliti päästik 2. Lukust avamise nupp

TÄHELEPANU: Ärge tõmmake lüliti päästikut tugevasti ilma lahtilukustusnupu vajutamata. See võib põhjustada lüliti purunemise.

Kiirusregulaator

Tööriista kiirust saab reguleerida kiirusregulaatorit keerates. Tera pöörlemiskiirus suureneb koos kiirusregulaatoril arvu suurendamisega.

► **Joon.20:** 1. Kiirusregulaator

Juhinduge töödeldava detaili jaoks sobiva kiiruse valimisel tabelis antud teabest. Sobiv kiirus võib siiski varieeruda olenevalt töödeldava detaili tüübist ja pakusest. Tavaliselt võimaldab suurem kiirus küll lõigata töödeldavat detaili kiiremini, ent samas lüheneb sel juhul kasutatava saelehe kasutusiga.

Number	Tera pöörlemiskiirus minutis (min ⁻¹)
1	2 500 min ⁻¹
2	2 900 min ⁻¹
3	3 900 min ⁻¹
4	4 900 min ⁻¹
5	6 300 min ⁻¹

▲ETTEVAATUST: Kiirusregulaatori skaala ei ole madalnormkiirusega saeterade kasutamiseks, vaid töödeldava detaili materjali jaoks sobiva kiiruse saavutamiseks. Kasutage ainult selliseid saeterasid, mille parameetrid vastavad vähemalt maksimaalsele koormusele kiirusele, mis on kindlaks määratud TEHNILISTES ANDMETES.

TÄHELEPANU: Kiiruse reguleerimise skaalat saab pöörata ainult kuni 5-ni ja tagasi kuni 1-ni. Ärge suruge skaalat jõuga üle 5 või 1, kuna kiiruse reguleerimisfunktsioon võib rikki minna.

Elektrooniline funktsioon

Elektroonilise funktsiooniga varustatud tööriistu on tänu järgmistele omadustele lihtne kasutada.

Ülekoormuse kaitse

Kui tööriistal on ülekoormus ja elektrivool ületab teatud taseme, seiskub tööriist automaatselt mootori kaitsmiseks.

Püsikiiruse juhtimine

Elektrooniline kiiruse juhtimine püsikiiruse saavutamiseks. Muudab võimalikuks täpselt viimistlemise, kuna pöörlemiskiirus püsib ühtlasena ka koormuse tingimustes.

Sujuvkäivituse funktsioon

Sujuvkäivituse tagab summutatud algtõuge.

KOKKUPANEK

⚠ETTEVAATUST: Kandke alati hoolt selle eest, et tööriist oleks enne igasuguseid hooldustöid välja lülitatud ja akukassett eemaldatud.

Kuuskantvõtme hoiulepanek

Kui kuuskantvõtit ei kasutata, pange see kaotamise vältimiseks joonisel näidatud viisil hoiule.

► **Joon.21:** 1. Kuuskantvõti

Ketassaetera eemaldamine või paigaldamine

⚠ETTEVAATUST: Ketassaetera peab olema paigaldatud selliselt, et hambad on suunatud tööriista esiosas üles.

⚠ETTEVAATUST: Kasutage ketassaetera paigaldamiseks ja eemaldamiseks ainult Makita nutrivõtit.

Ketassaetera eemaldamine:

1. Vabastage lukustusnupp ja langetage natukene tera. Pöörake lukustushooba ja langetage käepidet, kuni lukustustihvt sobib avasse.

► **Joon.22:** 1. Lahtilukustusnupp 2. Lukustushoob 3. Lukustustihvt 4. Lukustustihvi ava

2. Vajutage võllilukku, et tera ei saaks pöörelda, ja keerake kuuskantpolt kuuskantvõtme abil lahti.

► **Joon.23:** 1. Võllilukk 2. Kuuskantvõti 3. Pingutamine 4. Lõdvendamine

3. Eemaldage kuuskantpolt, välisäärik ja ketassaetera.

► **Joon.24:** 1. Kuuskantpolt 2. Välisäärik 3. Siseäärik 4. Ketassaetera

⚠HOIATUS: Kui siseäärik on eemaldatud, paigaldage see kindlasti võllile. Valige paigaldamisel õige pool, mille eend sobib täpselt saetera avasse. Tera paigaldamine valele küljele võib põhjustada ohtlikku vibratsiooni.

Ketassaetera paigaldamiseks järgige eemaldamise protseduuri vastupidises järjekorras. Vajutage lukustusnuppu, et vabastada lukustustihvt avast.

⚠HOIATUS: KEERAKE KUUSKANTPOLT KINDLASTI KORRALIKULT KINNI. Samas jälgige, et te polti liiga suure jõuga ei pingutaks. Käe libisemine kuuskantvõtmelt võib põhjustada vigastusi.

Terakaitse puhastamine

Ketassaetera vahetamisel puhastage ka terakaitset sinna kogunenud saepurust, nagu on kirjeldatud peatükis „Hooldus“. See ei tähenda, et võiks loobuda kaitsepiirde töökorras oleku kontrollimisest enne iga kasutuskorda.

Tolmuimeja ühendamine

Valikuline tarvik

Kui soovite puhtamalt lõigata, ühendage tööriista külge Makita tolmuimeja. Ühendage tolmuimeja voolik tolmuotsakuga, kasutades esimansette 24.

► **Joon.25:** 1. Tolmuimeja voolik 2. Esimansetid 24 3. Tolmuotsak

TÖÖRIISTA KASUTAMINE

⚠ETTEVAATUST: Liigutage tööriista kindlasti ettevaatlikult sirgjooneliselt ettepoole. Tööriistale surve avaldamisel või selle väänamisel kuumeneb mootor üle ja tekib ohtlik tagasilöökk, mis võib põhjustada tõsiselt vigastusi.

⚠ETTEVAATUST: Ärge minge kunagi lõigete tegemise ajal ühegi kehaosaga tööriistaaluse alla, eriti alguses. Nii toimides võite saada tõsiselt viga. Tera on tööriistaaluse alt katmata.

MÄRKUS: Kui akukasseti temperatuur on madal, ei pruugi tööriist töötada täisvõimsusel. Sellisel juhul kasutage tööriista mõnda aega näiteks kergemal režiimil lõikamiseks, kuni akukassett soojeneb toatemperatuurini. Pärast seda saab tööriist töötada täisvõimsusel.

Lõigete tegemine (tavaline saagimine)

► **Joon.26**

Hoidke tööriistast kindlalt kinni. Sael on nii eesmine kui ka tagumine käepide. Kasutage tööriista parimal moel hoidmiseks mõlemat. Kui hoiate saagi mõlema käega, ei saa ketassaetera neisse lõigata. Asetage saeraam töödeldavale esemele nii, et ketassaetera seda ei puudutaks. Seejärel suruge lukustusnupp sisse ja vajutage lüliti päästikut. Oodake, kuni tööriist saavutab täiskii- ruse. Nüüd vajutage sae pea aeglaselt alla eelseadista- tud lõikesügavusele ja liigutage tööriista lihtsalt mööda töödeldava detaili pinda edasi, hoides seda lamedalt ja sujuvalt edasi liikudes, kuni saagimine on lõpetatud. Puhaslõigete saamiseks hoidke saejoont sirgena ja

töökiirust ühtlasena. Kui lõige ei järgi planeeritud lõikejoont täpselt, ärge proovige seda pöörata ja ärge suruge tööriista lõikejoonele tagasi. Nii tehes võib ketassaetera kinni kiiluda, tekitada ohtlikku tagasilööki ja tõiseid kehavigastusi. Vabastage lüliti ja oodake, kuni ketassaetera jääb seisma, seejärel eemaldage saag. Asetage tööriist uuele lõikejoonele ja hakake uuesti lõikama. Püüdke vältida asetust, mis jätab operaatori saest paiskuvate laastude ja saepuru eest kaitsetuks. Kasutage silmakaitset, et vigastusi vältida.

Juhtpiire

Valikuline tarvik

Asetage tööriist juhtpiirde tagumisse otsa. Pöörake tööriistaalusel kahte reguleerimiskruvi, et tööriist libeeks sujuvalt ega tekitaks müra. Hoidke tugevalt nii tööriista esi- kui ka tagakäepidemest. Lülitage tööriist sisse, suruge tööriist alla eelseadistatud lõikesügavusele ja lõigake pilpapiirdega töötakti täispikkuses. Pilpapiirde serv vastab nüüd lõikeäärele.

► **Joon.27:** 1. Reguleerimiskruvid

Juhtpiirdega kaldlõikamisel kasutage tööriista ümberminemise vältimiseks liughooba.

Liigutage liughooba tööriistaalusel noole suunas, et see haarduks juhtpiirde alla lõigatud soonde.

► **Joon.28:** 1. Liughoob

Alumine alus (juhtjoonlaud)

Valikuline tarvik

Alumist alust juhtjoonlauana kasutades saate teha ülilitäpseid sirgiloikeid. Vabastage pitskruvid, lükake alumine alus tööriistast välja ja sisestage see seejärel ümberpööratult, ülemine pool allpool.

► **Joon.29:** 1. Pitskruvi 2. Alumine alus

Libistage lihtsalt alumise aluse piire tihedalt vastu töödeldava detaili külge ja kinnitage see pitskruvidega kohale. Samuti võimaldab see ühesuguse laiusega korduvlõigete tegemist.

► **Joon.30:** 1. Pitskruvi 2. Alumine alus

Sukelduslõikamine (väljalõikamine)

⚠HOIATUS: Tagasilöögi vältimiseks tehke kindlaks, et te jälgiksite järgnevat juhiseid.

► **Joon.31:** 1. Tööriista aluse tagumine äär 2. Fikseeritud seisak

Tööriista ilma juhtpiirdeta kasutades asetage tööriist töödeldava detaili peale, tööriistaaluse tagumine äär seadke vastu fikseeritud seisakut või ekvivalenti, mille operaator on ise välja mõelnud.

Tööriista koos juhtpiirdega kasutades asetage tööriist juhtpiirdele nii, et tööriistaaluse tagumine äär seadke vastu fikseeritud seisakut või selle ekvivalenti, mis on juhtpiirde külge kinnitatud.

Hoidke tööriista kindlalt käes, üks käsi eesmisel haaratsil ja teine tööriista käepidemel. Siis vajutage lukustusnuppu ja pange tööriist käima, oodates kuni saeleht saavutab täiskiiruse. Nüüd vajutage saepea aeglaselt alla eelseadistatud lõikesügavusse ja lihtsalt liigutage tööriista ettepoole soovitud sukeldusasendi suunas.

MÄRKUS: Saelehe ühtlustusseade ääremärgid näitavad saetera eesmist ja tagumist lõikepunkti maksimaalses lõikesügavuses, kui kasutatakse juhtpiiret.

► **Joon.32:** 1. Eesmine lõikekoht 2. Tagumine lõikekoht

Juhtseade

Valikuline tarvik

Kaldlõike juhiku kasutamine võimaldab teha täpseid nurga all faasilõikeid ja kohaldustöid.

Klambri kasutamine tagab töödeldava detaili kindla hoide laual.

JUHTMETA AKTIVEERIMISE FUNKTSIOON

Ainult mudelile DSP601

Mida võimaldab juhtmeta aktiveerimise funktsioon

Juhtmeta aktiveerimise funktsioon võimaldab puhast ja mugavat töötamist. Ühendades toetatud tolmuimeja tööriistaga, saate käivitada tolmuimeja automaatselt koos tööriista lüliti toimimisega.

► **Joon.33**

Juhtmeta aktiveerimise funktsiooni kasutamiseks valmistage ette alljärgnev:

- juhtmeta seade (valikuline tarvik);
- tolmuimeja, mis toetab juhtmeta aktiveerimise funktsiooni.

Alljärgnevalt on toodud juhtmeta aktiveerimise funktsiooni seadistamise ülevaade. Üksikasjalikuma teabe saamiseks vaadake konkreetseid jaotisi.

1. Juhtmeta seadme paigaldamine
2. Tööriista registreerimine tolmuimeja jaoks
3. Juhtmeta aktiveerimise funktsiooni käivitamine

Juhtmeta seadme paigaldamine

Valikuline tarvik

⚠ETTEVAATUST: Juhtmeta seadme paigaldamisel asetage tööriist tasasele ja kindlale pinnale.

TÄHELEPANU: Enne juhtmeta seadme paigaldamist puhastage tööriist tolmu ja mustusest. Kui tolm ja mustus satuvad juhtmeta seadme pessa, siis võib esineda talitushäireid.

TÄHELEPANU: Staatika põhjustatud talitushäirete vältimiseks puudutage enne juhtmeta seadme ülestõstmist staatikat eemaldavat materjali, näiteks tööriista metallist osa.

TÄHELEPANU: Juhtmeta seadme paigaldamisel veenduge alati, et juhtmeta seade oleks sisestatud õiges suunas ja kaas oleks korralikult suletud.

1. Avage tööriista kaas joonisel näidatud viisil.

► **Joon.34:** 1. Kaas

2. Sisestage juhtmeta seade pesasse ja sulgege kaas.

Juhtmeta seadme sisestamisel joondate väljaulatuvad osad pesa süvendatud osadega.

► **Joon.35:** 1. Juhtmeta seade 2. Väljaulatuv osa
3. Kaas 4. Süvendatud osa

Juhtmeta seadme eemaldamisel avage kaas aeglaselt. Kaane tagaküljel asuvad konksud tõstavad juhtmeta seadme koos kaanega välja.

► **Joon.36:** 1. Juhtmeta seade 2. Konks 3. Kaas

Pärast eemaldamist hoidke juhtmeta seadet komplekti kuuluvas korbis või staatikavabas konteineris.

TÄHELEPANU: Juhtmeta seadme eemaldamisel kasutage alati kaane tagaküljel asuvaid konkse. Kui konksud ei haaku juhtmeta seadmega, sulgege kaas täielikult ja avage aeglaselt uuesti.

Tööriista registreerimine tolmuimeja jaoks

MÄRKUS: Registreerimiseks on vajalik Makita tolmuimeja, mis toetaks juhtmeta aktiveerimise funktsiooni.

MÄRKUS: Enne tööriista registreerimist tuleb juhtmeta seade tööriista paigaldada.

MÄRKUS: Tööriista registreerimise ajal ärge tõm-
make lüliti päästikut ega lülitage tolmuimeja toitelüliti sisse.

MÄRKUS: Vt ka tolmuimeja kasutusjuhendit.

Kui te soovite tolmuimeja koos tööriista lüliti toimimise-
ga aktiveerida, siis peate kõigepealt lõpetama töö-
riista registreerimise.

1. Paigaldage patareid nii tolmuimejasse kui ka tööriista.

2. Seadke tolmuimeja ooterežiimi lüliti asendisse „AUTO”.

► **Joon.37:** 1. Ooterežiimi lüliti

3. Vajutage tolmuimejal juhtmeta aktiveerimise nuppu ja hoidke seda 3 sekundit all, kuni juhtmeta aktiveerimise tuli hakkab roheliselt vilkuma. Seejärel vajutage samamoodi tööriista juhtmeta aktiveerimise nuppu.

► **Joon.38:** 1. Juhtmeta aktiveerimise nupp
2. Juhtmeta aktiveerimise tuli

Kui tolmuimeja ja tööriist on edukalt seotud, siis juht-
meta aktiveerimise tuled süttivad 2 sekundiks roheliselt
ja hakkavad seejärel siniselt vilkuma.

Juhtmeta aktiveerimise tule oleku kirjeldus

► **Joon.42:** 1. Juhtmeta aktiveerimise tuli

Juhtmeta aktiveerimise tuli näitab juhtmeta aktiveerimise funktsiooni olekut. Tule oleku tähendust näete allolevast tabelist.

MÄRKUS: Juhtmeta aktiveerimise lambid lõpetavad roheliselt vilkumise 20 sekundi pärast. Vajutage juht-
meta aktiveerimise nuppu tööriistal, kui puhastajal
vilgub juhtmeta aktiveerimise tuli. Kui juhtmeta akti-
veerimise tuli ei vilgu roheliselt, siis vajutage korraks
juhtmeta aktiveerimise nuppu ja hoidke seda uuesti
all.

MÄRKUS: Sidudes kahte või enamat tööriista ühe
tolmuimejaga, lõpetage tööriistade registreerimine
ükshaaval.

Juhtmeta aktiveerimise funktsiooni käivitamine

MÄRKUS: Enne juhtmeta aktiveerimist tuleb lõpetada
tööriista tolmuimejaga sidumine.

MÄRKUS: Vt ka tolmuimeja kasutusjuhendit.

Pärast tööriista sidumist tolmuimejaga, käivitub tolmu-
imeja automaatselt tööriista lülite abil.

1. Paigaldage juhtmeta seade tööriista sisse.

2. Ühendage tolmuimeja voolik tööriistaga.

► **Joon.39**

3. Seadke tolmuimeja ooterežiimi lüliti asendisse
„AUTO”.

► **Joon.40:** 1. Ooterežiimi lüliti

4. Vajutage korraks tööriistal olevat juhtmeta aktivee-
rimise nuppu. Juhtmeta aktiveerimise tuli vilgub siniselt.

► **Joon.41:** 1. Juhtmeta aktiveerimise nupp
2. Juhtmeta aktiveerimise tuli

5. Lülitage tööriist sisse. Kontrollige, kas tolmuimeja
töötab tööriista töötamise ajal.

Tolmuimeja juhtmeta aktiveerimise peatamiseks vaju-
tage tööriista juhtmeta aktiveerimise nuppu.

MÄRKUS: Tööriista juhtmeta aktiveerimise tuli
lõpetab siniselt vilkumise, kui 2 tunni jooksul ei tehta
ühtegi toimingut. Sellisel juhul seadke tolmuimeja
ooterežiimi lüliti asendisse „AUTO” ja vajutage tööriis-
tal uuesti juhtmeta aktiveerimise nuppu.

MÄRKUS: Tolmuimeja alustab/peatub viivitusega.
Kui tolmuimeja tuvastab tööriista lüliti toimimise,
esineb viivitus.

MÄRKUS: Juhtmeta seadme edastamise kaugus
võib olenevalt asukohast ja ümbritsevatest oludest
erineda.

MÄRKUS: Kui ühe tolmuimejaga seotakse kaks või
enam tööriista, võib tolmuimeja hakata tööle isegi siis,
kui te ei lülita tööriista sisse, sest mõni teine kasutaja
kasutab juhtmeta aktiveerimise funktsiooni.

Olek	Juhtmeta aktiveerimise tuli				Kirjeldus
	Värv	<input type="checkbox"/> Pöleb	<input type="checkbox"/> Vilgub	Kestus	
Ooteaeg	Sinine	<input checked="" type="checkbox"/>		2 tundi	Tolmuimeja juhtmeta aktiveerimine on saadaval. Tuli lülitub automaatselt välja, kui 2 tunni jooksul ei tehta ühtegi toimingut.
		<input type="checkbox"/>		Kui tööriist on käivitatud.	Tolmuimeja juhtmeta aktiveerimine on saadaval ja tööriist on käivitatud.
Tööriista registreerimine	Roheline	<input checked="" type="checkbox"/>		20 sekundit	Valmis tööriista registreerimiseks. Tolmuimeja poolse registreerimise ootamine.
		<input type="checkbox"/>		2 sekundit	Tööriista registreerimine on lõpetatud. Juhtmeta aktiveerimise tuli hakkab siniselt vilkuma.
Tööriista registreerimise tühistamine	Punane	<input checked="" type="checkbox"/>		20 sekundit	Valmis tööriista registreerimise tühistamiseks. Tolmuimeja poolse tühistamise ootamine.
		<input type="checkbox"/>		2 sekundit	Tööriista registreerimise tühistamine on lõpetatud. Juhtmeta aktiveerimise tuli hakkab siniselt vilkuma.
Muu	Punane	<input type="checkbox"/>		3 sekundit	Juhtmeta seade on ühendatud toitega ja juhtmeta aktiveerimise funktsioon käivitub.
	Väljas	-		-	Tolmuimeja juhtmeta aktiveerimine on peatatud.

Tööriista registreerimise tühistamine tolmuimeja jaoks

Tööriista registreerimise tühistamiseks tolmuimeja jaoks tuleb toimida alljärgnevalt.

- Paigaldage patareid nii tolmuimejasse kui ka tööriista.
- Seadke tolmuimeja ooterežiimi lüliti asendisse „AUTO”.
▶ **Joon.43:** 1. Ooterežiimi lüliti
- Vajutage tolmuimejal juhtmeta aktiveerimise nuppu ja hoidke seda 6 sekundit all. Juhtmeta aktiveerimise tuli vilgub roheliselt ja muutub seejärel punaseks.

Seejärel vajutage samamoodi tööriista juhtmeta aktiveerimise nuppu.

- Joon.44:** 1. Juhtmeta aktiveerimise nupp
- Juhtmeta aktiveerimise tuli

Kui tolmuimeja ja tööriist on edukalt lahutatud, siis juhtmeta aktiveerimise tuled süttivad 2 sekundiks punaselt ja seejärel hakkavad need siniselt vilkuma.

MÄRKUS: Juhtmeta aktiveerimise lambid lõpetavad punaselt vilkumise 20 sekundi pärast. Vajutage juhtmeta aktiveerimise nuppu tööriistal, kui puhastajal vilgub juhtmeta aktiveerimise tuli. Kui juhtmeta aktiveerimise tuli ei vilgu punaselt, siis vajutage korras juhtmeta aktiveerimise nuppu ja hoidke seda uuesti all.

Juhtmeta aktiveerimise funktsiooni veatsing

Enne remonditöökohta pöördumist kontrollige niidukit ise. Ärge üritage niidukit lahti võtta, kui leiate probleemi, mida kasutusjuhendis ei kirjeldata. Selle asemel pöörduge Makita volitatud teeninduskeskusesse, kus kasutatakse remontimisel alati Makita tagavaraosi.

Tõrge	Võimalik põhjus (riike)	Lahendus
Juhtmeta aktiveerimise tuli ei põle / ei vilgu.	Tööriista sisse ei ole juhtmeta seadet paigaldatud. Juhtmeta seade on tööriista sisse valesti paigaldatud.	Paigaldage juhtmeta seade õigesti.
	Juhtmeta seadme klemm ja/või pesa on määrdunud.	Pühkige juhtmeta seadme klemmiilt ettevaatlikult tolm ja mustus ning puhastage pesa.
	Tööriistal olevat juhtmeta aktiveerimise nuppu ei ole vajutatud.	Vajutage korras tööriistal olevat juhtmeta aktiveerimise nuppu.
	Tolmuimeja ooterežiimi lüliti ei ole seadud asendisse „AUTO”.	Seadke tolmuimeja ooterežiimi lüliti asendisse „AUTO”.
	Puudub toiteallikas	Varustage tööriist ja tolmuimeja toiteallikaga.

Tõrge	Võimalik põhjus (riike)	Lahendus
Tööriista registreerimist / tööriista registreerimise tühistamist ei õnnestu edukalt lõpetada.	Tööriista sisse ei ole juhtmeta seadet paigaldatud.	Paigaldage juhtmeta seade õigesti.
	Juhtmeta seade on tööriista sisse valesti paigaldatud.	
	Juhtmeta seadme klemm ja/või pesa on määrduanud.	Pühkige juhtmeta seadme klemmiit ettevaatlikult tolm ja mustus ning puhastage pesa.
	Tolmuimeja ooterežiimi lüliti ei ole seatud asendisse „AUTO”.	Seadke tolmuimeja ooterežiimi lüliti asendisse „AUTO”.
	Puudub toiteallikas	Varustage tööriist ja tolmuimeja toiteallikaga.
	Vale kasutamine	Vajutage korra juhtmeta aktiveerimise nuppu ja tehke tööriista registreerimise/tühistamise toimingud uuesti.
	Tööriist ja tolmuimeja asuvad teineteisest liiga kaugel (on edastamise ulatusest väljas).	Viige tööriist ja tolmuimeja üksteisele lähemale. Maksimaalne ülekandekaugus on umbes 10 m, kuid see võib olenevalt asjaoludest varieeruda.
	Enne tööriista registreerimise/tühistamise lõpetamist; - tööriista lüliti on sisse lülitatud või; - tolmuimeja toitenupp on sisse lülitatud.	Vajutage korra juhtmeta aktiveerimise nuppu ja tehke tööriista registreerimise/tühistamise toimingud uuesti.
	Tööriista või tolmuimeja sidumistoimingud on lõpetamata.	Tehke samal ajal nii tööriista kui ka tolmuimeja registreerimistoimingud.
Teiste seadmete tekitatud raadiohääring, mis tekitab väga intensiivseid raadiolaineid.	Hoidke tööriista ja tolmuimejat WiFi-seadmetest ja mikrolaineahjust eemal.	
Tolmuimeja ei tööta tööriista lüliti kaudu.	Tööriista sisse ei ole juhtmeta seadet paigaldatud.	Paigaldage juhtmeta seade õigesti.
	Juhtmeta seade on tööriista sisse valesti paigaldatud.	
	Juhtmeta seadme klemm ja/või pesa on määrduanud.	Pühkige juhtmeta seadme klemmiit ettevaatlikult tolm ja mustus ning puhastage pesa.
	Tööriista olevat juhtmeta aktiveerimise nuppu ei ole vajutatud.	Vajutage korra juhtmeta aktiveerimise nuppu ja veenduge, et juhtmeta aktiveerimise tuli vilguks siniselt.
	Tolmuimeja ooterežiimi lüliti ei ole seatud asendisse „AUTO”.	Seadke tolmuimeja ooterežiimi lüliti asendisse „AUTO”.
	Tolmuimejaga on seotud üle 10 tööriista.	Tehke registreerimistoiming uuesti. Kui tolmuimejaga on seotud üle 10 tööriista, siis kõige esimesena registreeritud tööriista sidumine tühistatakse automaatselt.
	Tolmuimeja kustutas kõik registreeritud tööriistad.	Registreerige tööriist uuesti.
	Puudub toiteallikas	Varustage tööriist ja tolmuimeja toiteallikaga.
	Tööriist ja tolmuimeja asuvad teineteisest liiga kaugel (on edastamise ulatusest väljas).	Viige tööriist ja tolmuimeja üksteisele lähemale. Maksimaalne ülekandekaugus on umbes 10 m, kuid see võib olenevalt asjaoludest varieeruda.
Teiste seadmete tekitatud raadiohääring, mis tekitab väga intensiivseid raadiolaineid.	Hoidke tööriista ja tolmuimejat WiFi-seadmetest ja mikrolaineahjust eemal.	
Tolmuimeja töötab, kui tööriist ei tööta.	Teised kasutajad kasutavad oma tööriistaga tolmuimeja juhtmeta aktiveerimist.	Lülitage teiste tööriistade juhtmeta aktiveerimise nupp välja või tühistage teiste tööriistade registreerimine.

HOOLDUS

⚠ETTEVAATUST: Enne kontroll- või hooldustoimingute tegemist kandke alati hoolt selle eest, et tööriist oleks välja lülitatud ja akukassett korpuse küljest eemaldatud.

⚠ETTEVAATUST: Puhastage kaitsepiire sellele kogunenud saepurust, mis võib takistada kaitse-süsteemi toimimist. Määratud kaitse-süsteem võib piirata nõuetekohast talitlust, mille tagajärjeks võib olla tõsine kehavigastus. Kõige tõhusam on kasutada puhastamiseks suruõhku. **Kaitsepiirdest tolmu väljapuhumisel kasutage kindlasti nõuetekohaseid silmade ja hingamisteede kaitsevahendeid.**

TÄHELEPANU: Ärge kunagi kasutage bensiini, vedeldit, alkoholi ega midagi muud sarnast. Selle tulemuseks võib olla luitumine, deformatsioon või pragunemine.

0°-lõike ja 45°-lõike täpsuse reguleerimine

TÄHELEPANU: 0°-lõike täpsuse reguleerimise ajal ärge -1° kaldenurga hoobasid rakendage.

TÄHELEPANU: 45°-lõike täpsuse reguleerimise ajal ärge 48° kaldenurga hoobasid rakendage.

Need on tehases reguleeritud. Kui need on valed, saate neid reguleerida järgneva protseduuri eeskujul.

1. Vabastage tööriista ees- ja tagaosast natukene pitskruvisid.
2. Reguleerige tera nurka.
▶ **Joon.45:** 1. Kolmnurkjoonlaud

0°-lõike täpsuse reguleerimiseks seadke alus kolmnurkjoonlauda või nurgikut kasutades ja reguleerimispolti keerates tera suhtes risti.

▶ **Joon.46:** 1. 0°-lõike reguleerimispolti

45°-lõike täpsuse reguleerimiseks seadke alus kolmnurkjoonlauda kasutades ja reguleerimispolti keerates tera suhtes 45° nurga alla.

▶ **Joon.47:** 1. 45°-lõike reguleerimispolti

3. Pingutage pitskruvid ja tehke proovilõige.

Toote OHUTUSE ja TÖÖKINDLUSE tagamiseks tuleb vajalikud remonttööd ning muud hooldus- ja reguleerimistööd lasta teha Makita volitatud teeninduskeskustes või tehase teeninduskeskustes. Alati tuleb kasutada Makita varuosi.

VALIKULISED TARVIKUD

⚠ETTEVAATUST: Neid tarvikuid ja liseseadiseid on soovivat kasutada koos Makita tööriistaga, mille kasutamist selles kasutusjuhendis kirjeldatakse. Muude tarvikute ja liseseadiste kasutamisega kaasneb vigastada saamise oht. Kasutage tarvikuid ja liseseadiseid ainult otstarbekohaselt.

Saate vajaduse korral kohalikust Makita teeninduskeskusest lisateavet nende tarvikute kohta.

- Ketassaetera
- Alumine alus
- Kuuskantvõti
- Juhtpiire
- Kaldlõike juhik
- Klamber
- Leht
- Kummileht
- Asendileht
- Juhtmeta seade (mudeli DSP601 jaoks)
- Makita algupärane aku ja laadija

MÄRKUS: Mõned nimekirjas loetletud tarvikud võivad kuuluda standardvarustusse ning need on lisatud tööriista pakendisse. Need võivad riigiti erineda.

ТЕХНИЧЕСКИЕ ХАРАКТЕРИСТИКИ

Модель:		DSP600	DSP601
Диаметр диска		165 мм	
Макс. глубина пропила	при 0°	56 мм	
	угол скоса 45°	40 мм	
	угол скоса 48°	38 мм	
Число оборотов без нагрузки		2 500 - 6 300 мин ⁻¹	
Общая длина		346 мм	
Номинальное напряжение		36 В пост. тока	
Масса нетто		4,4 - 5,1 кг	

- Благодаря нашей постоянно действующей программе исследований и разработок указанные здесь технические характеристики могут быть изменены без предварительного уведомления.
- Технические характеристики и аккумуляторный блок могут отличаться в зависимости от страны.
- Масса может отличаться в зависимости от дополнительного оборудования. Обратите внимание, что блок аккумулятора также считается дополнительным оборудованием. В таблице представлены комбинации с наибольшим и наименьшим весом в соответствии с процедурой EPTA 01/2014.

Подходящий блок аккумулятора и зарядное устройство

Блок аккумулятора	BL1815N / BL1820B / BL1830B / BL1840B / BL1850B / BL1860B
Зарядное устройство	DC18RC / DC18RD / DC18RE / DC18SD / DC18SE / DC18SF / DC18SH / DC18WC

- В зависимости от региона проживания некоторые блоки аккумуляторов и зарядные устройства, перечисленные выше, могут быть недоступны.

⚠ОСТОРОЖНО: Используйте только перечисленные выше блоки аккумуляторов и зарядные устройства. Использование других блоков аккумуляторов и зарядных устройств может привести к травме и/или пожару.

Назначение

Данный инструмент предназначен для распилов врезанием. Инструмент также может использоваться для разрезания и поперечных распилов дерева. Если инструмент оснащен надлежащим диском циркулярной пилы, его можно использовать для резки алюминия, пластика, пластмасс с минеральным наполнителем и прочих аналогичных материалов.

Шум

Типичный уровень взвешенного звукового давления (A), измеренный в соответствии с EN62841-2-5:

Модель DSP600

Уровень звукового давления (L_{pA}): 95 дБ (A)

Уровень звуковой мощности (L_{WA}): 103 дБ (A)

Погрешность (K): 3 дБ (A)

Модель DSP601

Уровень звукового давления (L_{pA}): 95 дБ (A)

Уровень звуковой мощности (L_{WA}): 103 дБ (A)

Погрешность (K): 3 дБ (A)

ПРИМЕЧАНИЕ: Заявленное значение распространения шума измерено в соответствии со стандартной методикой испытаний и может быть использовано для сравнения инструментов.

ПРИМЕЧАНИЕ: Заявленное значение распространения шума можно также использовать для предварительных оценок воздействия.

⚠ОСТОРОЖНО: Используйте средства защиты слуха.

⚠ОСТОРОЖНО: Распространение шума во время фактического использования электроинструмента может отличаться от заявленного значения в зависимости от способа применения инструмента и в особенности от типа обрабатываемой детали.

⚠ОСТОРОЖНО: Обязательно определите меры безопасности для защиты оператора, основанные на оценке воздействия в реальных условиях использования (с учетом всех этапов рабочего цикла, таких как выключение инструмента, работа без нагрузки и включение).

Вибрация

Суммарное значение вибрации (сумма векторов по трем осям), определенное в соответствии с EN62841-2-5:

Модель DSP600

Рабочий режим: распиливание древесины
Распространение вибрации ($a_{h,w}$): 2,5 м/с² или менее
Погрешность (K): 1,5 м/с²
Рабочий режим: резка металла
Распространение вибрации ($a_{h,m}$): 2,5 м/с² или менее
Погрешность (K): 1,5 м/с²

Модель DSP601

Рабочий режим: распиливание древесины
Распространение вибрации ($a_{h,w}$): 2,5 м/с² или менее
Погрешность (K): 1,5 м/с²
Рабочий режим: резка металла
Распространение вибрации ($a_{h,m}$): 2,5 м/с² или менее
Погрешность (K): 1,5 м/с²

ПРИМЕЧАНИЕ: Заявленное общее значение распространения вибрации измерено в соответствии со стандартной методикой испытаний и может быть использовано для сравнения инструментов.

ПРИМЕЧАНИЕ: Заявленное общее значение распространения вибрации можно также использовать для предварительных оценок воздействия.

⚠ОСТОРОЖНО: Распространение вибрации во время фактического использования электроинструмента может отличаться от заявленного значения в зависимости от способа применения инструмента и в особенности от типа обрабатываемой детали.

⚠ОСТОРОЖНО: Обязательно определите меры безопасности для защиты оператора, основанные на оценке воздействия в реальных условиях использования (с учетом всех этапов рабочего цикла, таких как выключение инструмента, работа без нагрузки и включение).

Декларации о соответствии

Только для европейских стран

Декларации о соответствии включены в Приложение А к настоящему руководству по эксплуатации.

МЕРЫ БЕЗОПАСНОСТИ

Общие рекомендации по технике безопасности для электроинструментов

⚠ОСТОРОЖНО Ознакомьтесь со всеми инструкциями по технике безопасности, указаниями, иллюстрациями и техническими характеристиками, прилагаемыми к данному электроинструменту. Несоблюдение всех приведенных далее

инструкций может привести к поражению электрическим током, возгоранию и/или тяжелым травмам.

Сохраните брошюру с инструкциями и рекомендациями для дальнейшего использования.

Термин "электроинструмент" в предупреждениях относится ко всему инструменту, работающему от сети (с проводом) или на аккумуляторах (без провода).

Правила техники безопасности при эксплуатации аккумуляторной циркулярной пилы

Процедуры резки

- 1. ⚠ОПАСНО:** Держите руки на расстоянии от места распила и пилы. Держите вторую руку на дополнительной ручке или корпусе двигателя. Удержание инструмента обеими руками позволит избежать попадания рук диск пилы.
- 2. Не наклоняйтесь под обрабатываемую деталь.** Защитный кожух не защитит вас от диска под обрабатываемой деталью.
- 3. Отрегулируйте глубину распила в соответствии с толщиной детали.** Под распиливаемой деталью должен быть виден почти весь зуб пилы.
- 4. Запрещается держать деталь руками и ставить ее поперек ноги во время работы. Закрепите обрабатываемую деталь на устойчивом основании.** Важно обеспечить правильную фиксацию детали для снижения до минимума риска получения травм, заклинивания диска или потери контроля.

► Рис.1

- 5. Если при выполнении работ существует риск контакта режущего инструмента со скрытой электропроводкой, держите электроинструмент за специально предназначенные изолированные поверхности.** Контакт с проводом под напряжением приведет к тому, что металлические детали инструмента также будут под напряжением, что может стать причиной поражения оператора электрическим током.
- 6. Обязательно пользуйтесь направляющей планкой или направляющей с прямым краем при продольной распиловке.** Это повышает точность распила и снижает риск изгиба диска.
- 7. Обязательно используйте диски соответствующего размера и формы отверстий для оправки (ромбовидные или круглые).** Диски с несоответствующим креплением будут работать эксцентрически, что приведет к потере контроля над инструментом.
- 8. Запрещается использовать поврежденные или несоответствующие пиле шайбы или болт крепления.** Шайбы и болт крепления диска были специально разработаны для данной пилы с целью обеспечения оптимальных эксплуатационных характеристик и

безопасности работы.

Причины отдачи и соответствующие предупреждения

- отдача - это мгновенная реакция на защемление, застревание или нарушение соосности пильного диска, приводящая к неконтролируемому подъему пилы и ее движению из детали по направлению к оператору;
- если диск защемлен или жестко ограничивается пропилом снизу, он прекратит вращаться, и реакция двигателя приведет к тому, что инструмент начнет быстро двигаться в сторону оператора;
- если диск становится изогнутым или неправильно ориентированным в распиле, зубья на задней стороне диска могут цепляться за верхнюю поверхность распиливаемой древесины, что приведет к выскакиванию диска из пропила и его движению в сторону оператора.

Отдача - это результат неправильного использования пилы и/или неправильных процедур или условий эксплуатации. Ее можно избежать, соблюдая меры предосторожности, указанные ниже.

1. **Крепко держите пилу обеими руками и располагайте руки так, чтобы они могли справиться с отдачей. Располагайтесь с боковой стороны циркулярной пилы, а не на одной линии с ней.** Отдача может привести к отскокиванию дисковой пилы назад, однако силы отдачи могут контролироваться оператором при условии соблюдения соответствующих мер предосторожности.
2. **При изгибании пилы или прекращении пиления по какой-либо причине отпустите триггерный переключатель и держите пилу без ее перемещения в детали до полной остановки вращения диска. Не пытайтесь вытащить пилу из распиливаемой детали или потянуть пилу назад, когда пила продолжает вращаться. Это может привести к отдаче.** Проверьте и выполните действия по устранению причины заклинивания диска.
3. **При повторном включении пилы, когда она находится в детали, отцентрируйте пильный диск в пропилах так, чтобы зубья пилы не касались распиливаемой детали.** Если пильный диск изогнется, пила может приподняться или возникнет обратная отдача при повторном запуске пилы.
4. **Поддерживайте большие панели для снижения риска заклинивания и отдачи диска.** Большие панели провисают под собственным весом. Опоры необходимо располагать под панелью с обеих сторон, около линии распила и около края панели.

► Рис.2

► Рис.3

5. **Не используйте тупые или поврежденные диски.** Незаточенные или неправильно установленные диски приведут к узкому распилу, что вызовет чрезмерное трение, заклинивание диска и отдачу.
6. **Перед резкой необходимо крепко затянуть блокирующие рычаги глубины распила и регулировки скоса.** Если при резке

регулировка диска нарушится, это может привести к заклиниванию диска и возникновению отдачи.

7. **Будьте особенно осторожны при распиливании уже имеющихся стен или иных поверхностей, недоступных для осмотра.** Выступающий диск пилы может столкнуться с предметами, которые могут вызвать отдачу инструмента.
8. **ВСЕГДА держите инструмент крепко обеими руками. НИКОГДА не помещайте свои руки, ноги или иные части тела под основание инструмента или позади пилы, особенно при выполнении поперечных распилов.** В случае отдачи пила может легко отскочить назад на вашу руку, что приведет к серьезной травме.

► Рис.4

9. **Никогда не прилагайте повышенных усилий к пиле. Двигайте пилу вперед со скоростью, которая позволяет дисковой пиле пилить без снижения скорости.** Приложение повышенных усилий к дисковой пиле может привести к неравномерному распилу, снижению точности и возможной отдаче.

Функционирование кожуха

1. **Перед каждым использованием проверяйте, что кожух надежно закрыт. Не эксплуатировать пилу, если защитный кожух не перемещается свободно и не закрывает диск мгновенно. Никогда не зажимайте и не задерживайте кожух так, чтобы диск остался незащищенным.** При случайном падении пилы кожух может погнуться. Проверьте, свободно ли движется кожух, не задевает ли диск или любую иную деталь при любых углах и значениях глубины распила.
2. **Проверьте работу и состояние возвратной пружины кожуха. Если кожух и пружина не работают надлежащим образом, их необходимо отремонтировать перед использованием пилы.** Кожух может срабатывать медленно из-за поврежденных деталей, отложения смол или скопления мусора.
3. **Убедитесь, что плита основания пилы не сдвинется во время проведения “врезного распила”.** Смещение диска в сторону может привести к заклиниванию диска и, скорее всего, к обратной отдаче.
4. **Перед тем как положить пилу на верстак или на пол, обязательно убедитесь, что кожух закрывает режущий диск.** Незащищенный, вращающийся по инерции диск пилы может непреднамеренно двинуться назад, распиливая все, что попадет на пути. Помните о времени, необходимом для полной остановки пилы после отпускания выключателя.

Дополнительные предупреждения о безопасности

1. **Будьте особенно осторожны при распиливании сырой, прессованной или сучковатой древесины.** Сохраняйте постоянную скорость подачи без снижения оборотов диска, чтобы избежать перегрева кромок диска и не допустить плавления пластика при его резке.

2. Не пытайтесь убирать отрезанные детали при вращении диска. Перед удалением распиленных деталей дождитесь полной остановки пилы. После выключения диск будет вращаться еще некоторое время.
3. Избегайте попадания режущего инструмента на гвозди. Перед распиливанием осмотрите деталь и удалите из нее все гвозди.
4. Устанавливайте более широкую часть основания пилы на ту часть обрабатываемой детали, которая имеет хорошую опору, а не на ту часть, которая упадет после отпиливания. Если распиливаемая деталь короткая или маленькая, ее необходимо закрепить. **НЕ ПЫТАЙТЕСЬ УДЕРЖИВАТЬ КОРОТКИЕ ДЕТАЛИ РУКОЙ!**

► Рис.5

5. Перед размещением пилы после завершения распила убедитесь, что нижний защитный кожух закрылся и пила полностью прекратила вращаться.
6. Никогда не пытайтесь осуществлять распиливание, закрепив циркулярную пилу в перевернутом виде. Это очень опасно и может привести к серьезным травмам.

► Рис.6

7. Некоторые материалы могут содержать токсичные химические вещества. Примите соответствующие меры предосторожности, чтобы избежать вдыхания или контакта с кожей таких веществ. Соблюдайте требования, указанные в паспорте безопасности материала.
8. Не пытайтесь остановить пилу путем бокового давления на пильный диск.
9. Не используйте абразивные круги.
10. Разрешается использовать только пильные диски с диаметром, соответствующим указанному на инструменте или в руководстве. Применение диска неверного размера может препятствовать надлежащей защите диска или мешать работе защитного кожуха, что, в свою очередь, может стать причиной серьезных травм.
11. Пилы должны быть острыми и чистыми. Смола и древесный пек, затвердевшие на пильных дисках, снижают производительность пилы и повышают потенциальный риск отдачи. Содержите пилу в чистоте. Для этого снимите ее с инструмента и очистите растворителем смолы и древесного пекса, горячей водой или керосином. Запрещается использовать бензин.
12. При использовании инструмента надевайте пылезаститную маску и используйте средства защиты слуха.
13. Используйте пильные диски, соответствующие материалу заготовки.
14. Используйте только пильные диски, маркировка максимальной скорости которых равна или выше скорости, указанной на инструменте.
15. (Только для европейских стран) Если инструмент предназначен для древесины и аналогичных материалов,

необходимо использовать диск, соответствующий стандарту EN847-1.

СОХРАНИТЕ ДАННЫЕ ИНСТРУКЦИИ.

▲ОСТОРОЖНО: НЕ ДОПУСКАЙТЕ, чтобы удобство или опыт эксплуатации данного устройства (полученный от многократного использования) доминировали над строгим соблюдением правил техники безопасности при обращении с этим устройством. **НЕПРАВИЛЬНОЕ ИСПОЛЬЗОВАНИЕ** инструмента или несоблюдение правил техники безопасности, указанных в данном руководстве, может привести к тяжелой травме.

Важные правила техники безопасности для работы с аккумуляторным блоком

1. Перед использованием аккумуляторного блока прочитайте все инструкции и предупреждающие надписи на (1) зарядном устройстве, (2) аккумуляторном блоке и (3) инструменте, работающем от аккумуляторного блока.
2. Не разбирайте блок аккумулятора и не меняйте его конструкцию. Это может привести к пожару, перегреву или взрыву.
3. Если время работы аккумуляторного блока значительно сократилось, немедленно прекратите работу. В противном случае, может возникнуть перегрев блока, что приведет к ожогам и даже к взрыву.
4. В случае попадания электролита в глаза промойте их обильным количеством чистой воды и немедленно обратитесь к врачу. Это может привести к потере зрения.
5. Не замыкайте контакты аккумуляторного блока между собой:
 - (1) Не прикасайтесь к контактам какими-либо токопроводящими предметами.
 - (2) Не храните аккумуляторный блок в кейсе вместе с другими металлическими предметами, такими как гвозди, монеты и т. п.
 - (3) Не допускайте попадания на аккумуляторный блок воды или дождя.
 Замыкание контактов аккумуляторного блока между собой может привести к возникновению большого тока, перегреву, возможному ожогу и даже поломке блока.
6. Не храните и не используйте инструмент и аккумуляторный блок в местах, где температура может достигать или превышать 50 °C (122 °F).
7. Не бросайте аккумуляторный блок в огонь, даже если он сильно поврежден или полностью вышел из строя. Аккумуляторный блок может взорваться под действием огня.
8. Запрещено вбивать гвозди в блок аккумулятора, резать, ломать, бросать, ронять блок

аккумулятора или ударять его твердым предметом. Это может привести к пожару, перегреву или взрыву.

9. **Не используйте поврежденный аккумуляторный блок.**
10. **Входящие в комплект литий-ионные аккумуляторы должны эксплуатироваться в соответствии с требованиями законодательства об опасных товарах.**

При коммерческой транспортировке, например, третьей стороной или экспедитором, необходимо нанести на упаковку специальные предупреждения и маркировку.

В процессе подготовки устройства к отправке обязательно проконсультируйтесь со специалистом по опасным материалам. Также соблюдайте местные требования и нормы. Они могут быть строже.

Закройте или закрепите разомкнутые контакты и упакуйте аккумулятор так, чтобы он не перемещался по упаковке.

11. **Для утилизации блока аккумулятора извлеките его из инструмента и утилизируйте безопасным способом. Выполняйте требования местного законодательства по утилизации аккумуляторного блока.**
12. **Используйте аккумуляторы только с продукцией, указанной Makita.** Установка аккумуляторов на продукцию, не соответствующую требованиям, может привести к пожару, перегреву, взрыву или утечке электролита.
13. **Если инструментом не будут пользоваться в течение длительного периода времени, извлеките аккумулятор из инструмента.**
14. **Во время и после использования блок аккумулятора может нагреваться, что может стать причиной ожогов или низкотемпературных ожогов. Будьте осторожны при обращении с горячим блоком аккумулятора.**
15. **Не прикасайтесь к контактам инструмента сразу после использования, поскольку они могут быть достаточно горячими, чтобы вызвать ожоги.**
16. **Не допускайте налипания на контакты, отверстия и пазы блока аккумулятора опилок, пыли или земли.** Это может стать причиной перегрева, возгорания, взрыва или неисправности инструмента или блока аккумулятора, что может привести к ожогам или травмам.
17. **Если инструмент не рассчитан на использование вблизи высоковольтных линий электропередач, не используйте блок аккумулятора вблизи высоковольтных линий электропередач.** Это может привести к неисправности, поломке инструмента или блока аккумулятора.
18. **Храните аккумулятор в недоступном для детей месте.**

СОХРАНИТЕ ДАННЫЕ ИНСТРУКЦИИ.

▲ВНИМАНИЕ: Используйте только фирменные аккумуляторные батареи Makita.

Использование аккумуляторных батарей, не произведенных Makita, или батарей, которые были подвергнуты модификациям, может привести к взрыву аккумулятора, пожару, травмам и повреждению имущества. Это также автоматически аннулирует гарантию Makita на инструмент и зарядное устройство Makita.

Советы по обеспечению максимального срока службы аккумулятора

1. **Заряжайте блок аккумуляторов перед его полной разрядкой. Обязательно прекратите работу с инструментом и зарядите блок аккумуляторов, если вы заметили снижение мощности инструмента.**
2. **Никогда не подзаряжайте полностью заряженный блок аккумуляторов. Перезарядка сокращает срок службы аккумулятора.**
3. **Заряжайте блок аккумуляторов при комнатной температуре в 10 - 40 °C (50 - 104 °F). Перед зарядкой горячего блока аккумуляторов дайте ему остыть.**
4. **Если блок аккумулятора не используется, извлеките его из инструмента или зарядного устройства.**
5. **Зарядите ионно-литиевый аккумуляторный блок, если вы не будете пользоваться инструментом длительное время (более шести месяцев).**

Важные правила техники безопасности для работы с беспроводным блоком

1. **Не разбирайте и не меняйте конструкцию беспроводного блока.**
2. **Храните беспроводной блок в недоступном для детей месте. При случайном проглатывании немедленно обратитесь к врачу.**
3. **Используйте беспроводной блок только с инструментами Makita.**
4. **Не подвергайте беспроводной блок воздействию дождя или влаги.**
5. **Не используйте беспроводной блок в тех местах, где температура превышает 50 °C.**
6. **Не используйте беспроводной блок в тех местах, где поблизости могут находиться медицинские инструменты, например, кардиостимуляторы.**
7. **Не используйте беспроводной блок в тех местах, где могут находиться автоматизированные устройства. При использовании автоматизированных устройств могут возникнуть сбои или ошибки.**
8. **Не используйте беспроводной блок в местах, где он может подвергаться воздействию высокой температуры, статического электричества или электрических помех.**
9. **Беспроводной блок может создавать**

- электромагнитные поля (EMF), которые не представляют опасности для пользователя.
- Беспроводной блок является точным инструментом. Не роняйте и не ударяйте беспроводной блок.
 - Не прикасайтесь к клемме беспроводного блока голыми руками или металлическими предметами.
 - Во время установки беспроводного блока обязательно вытащите аккумулятор из устройства.
 - Не открывайте крышку гнезда в таких местах, где в него может попасть пыль и вода. Входное отверстие гнезда всегда должно быть чистым.
 - Обязательно вставляйте беспроводной блок в правильном направлении.
 - Не нажимайте слишком сильно кнопку активации на беспроводном блоке и/или не нажимайте кнопку, используя объекты с острым краем.
 - Во время работы обязательно закрывайте крышку гнезда.
 - Не вытаскивайте беспроводной блок из гнезда, если на инструмент подано питание. Это может привести к неисправной работе беспроводного блока.
 - Не снимайте наклейку с беспроводного блока.
 - Не приклеивайте к беспроводному блоку никаких наклеек.
 - Не оставляйте беспроводной блок в таких местах, где может скапливаться статическое электричество или присутствовать электрические помехи.
 - Не оставляйте беспроводной блок в местах с высокой температурой, например на сиденье автомобиля в жару.
 - Не оставляйте беспроводной блок в местах, где присутствует пыль или порошок, или может образоваться коррозионный газ.
 - Внезапное изменение температуры может привести к образованию конденсата на беспроводном блоке. Не используйте беспроводной блок до тех пор, пока конденсат полностью не высохнет.
 - При чистке беспроводного блока аккуратно протрите его сухой мягкой тканью. Не используйте бензин, разбавитель, проводящую смазку или аналогичные материалы.
 - При хранении беспроводного блока поместите его в поставляемый футляр или в контейнер без статического электричества.
 - Не вставляйте в гнездо на инструменте никаких других устройств, кроме беспроводного блока Makita.
 - Не используйте инструмент с поврежденной крышкой гнезда. В гнездо может попасть вода, пыль и грязь, это может привести к неисправности.
 - Не тяните и/или не скручивайте крышку гнезда сильнее, чем это необходимо. Если крышка отсоединилась от инструмента, установите ее на место.

- Замените крышку гнезда, если она утеряна или повреждена.

СОХРАНИТЕ ДАННЫЕ ИНСТРУКЦИИ.

ОПИСАНИЕ РАБОТЫ

ВНИМАНИЕ: Перед регулировкой или проверкой функций инструмента обязательно убедитесь, что он выключен и его аккумуляторный блок снят.

Установка или снятие блока аккумуляторов

ВНИМАНИЕ: Обязательно выключайте инструмент перед установкой и извлечением аккумуляторного блока.

ВНИМАНИЕ: При установке и извлечении аккумуляторного блока крепко удерживайте инструмент и аккумуляторный блок. Если не соблюдать это требование, они могут выскользнуть из рук, что приведет к повреждению инструмента, аккумуляторного блока и травмированию оператора.

Для установки блока аккумулятора совместите выступ блока аккумулятора с пазом в корпусе и задвиньте его на место. Установив блок до упора, чтобы он зафиксировался с небольшим щелчком. Если вы видите красный индикатор, как показано на рисунке, он не зафиксирован полностью.

Для снятия аккумуляторного блока нажмите кнопку на лицевой стороне и извлеките блок.

► **Рис.7:** 1. Красный индикатор 2. Кнопка 3. Блок аккумулятора

ВНИМАНИЕ: Обязательно устанавливайте блок аккумулятора до конца, чтобы красный индикатор не был виден. В противном случае блок аккумулятора может выпасть из инструмента и нанести травму вам или другим людям.

ВНИМАНИЕ: Не прилагайте чрезмерных усилий при установке аккумуляторного блока. Если блок не двигается свободно, значит он вставлен неправильно.

ПРИМЕЧАНИЕ: Инструмент не будет работать с одним блоком аккумулятора.

Система защиты инструмента/аккумулятора

На инструменте предусмотрена система защиты инструмента/аккумулятора. Она автоматически отключает питание двигателя для продления срока службы инструмента и аккумулятора. Инструмент автоматически остановится во время работы при возникновении указанных ниже ситуаций. В

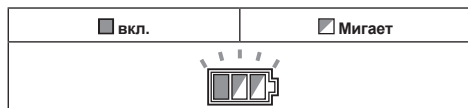
некоторых ситуациях загораются индикаторы.

Защита от перегрузки

Если из-за способа эксплуатации инструмент потребляет очень большое количество тока, произойдет автоматический останов. В этом случае выключите инструмент и прекратите работу, повлекшую перегрузку инструмента. Затем включите инструмент для перезапуска.

Защита от перегрева

При перегреве инструмент автоматически останавливается, а индикатор аккумулятора мигает около 60 секунд. В таком случае дайте инструменту остыть перед повторным включением.



Защита от переразрядки

При истощении заряда аккумулятора инструмент автоматически останавливается. Если устройство не работает даже после нажатия переключателей, снимите аккумулятор с инструмента и зарядите их.

Индикация оставшегося заряда аккумулятора

► **Рис.8:** 1. Индикатор аккумулятора (для верхнего аккумулятора) 2. Кнопка проверки 3. Индикатор аккумулятора (для нижнего аккумулятора)

Нажмите кнопку проверки для проверки заряда аккумулятора. Индикаторы соответствуют каждому аккумулятору.

Состояние индикатора аккумуляторной батареи			Уровень заряда аккумулятора
Вкл.	Выкл.	Мигает	
			от 50% до 100%
			от 20% до 50%
			от 0% до 20%
			Зарядите аккумулятор

Индикация оставшегося заряда аккумулятора

Только для блоков аккумулятора с индикатором

Нажмите кнопку проверки на аккумуляторном блоке

для проверки заряда. Индикаторы загорятся на несколько секунд.

► **Рис.9:** 1. Индикаторы 2. Кнопка проверки

Индикаторы			Уровень заряда
Горит	Выкл.	Мигает	
			от 75 до 100%
			от 50 до 75%
			от 25 до 50%
			от 0 до 25%
			Зарядите аккумуляторную батарею.
			Возможно, аккумуляторная батарея неисправна.

ПРИМЕЧАНИЕ: В зависимости от условий эксплуатации и температуры окружающего воздуха индикация может незначительно отличаться от фактического значения.

ПРИМЕЧАНИЕ: Первая (дальняя левая) индикаторная лампа будет мигать во время работы защитной системы аккумулятора.

Функция автоматического изменения скорости

ПРИМЕЧАНИЕ: Функция автоматического изменения скорости доступна только в том случае, если поворотный регулятор скорости находится в положении 5.

В данном инструменте предусмотрен "режим высокой скорости" и "режим высокого крутящего момента".

Инструмент автоматически меняет режим работы в зависимости от нагрузки. При малой рабочей нагрузке инструмент будет работать в высокоскоростном режиме для более быстрого резания. При высокой рабочей нагрузке инструмент будет работать в режиме высокого крутящего момента для более мощного резания.

► **Рис.10:** 1. Индикатор режима

Индикатор режима загорается зеленым, когда инструмент находится в режиме высокого крутящего момента.

Если инструмент работает с чрезмерной нагрузкой, индикатор режима загорится зеленым. После снижения нагрузки индикатор режима перестанет мигать и будет гореть непрерывно или выключится.

Состояние индикатора режима			Режим работы
● Вкл	○ Выкл	○ Мигает	
	○		Режим высокой скорости
	●		Режим высокого крутящего момента
	○	○	Предупреждение о перегрузке

Регулировка глубины пропила

▲ ВНИМАНИЕ: После регулировки глубины пропила всегда крепко затягивайте зажимной винт.

Ослабьте зажимной винт на направляющей глубиномера и переместите стопор нижнего ограничения диска на необходимый уровень резания на шкальной пластине. На желаемой глубине распила надежно затяните зажимной винт.

Для чистого и безопасного распиливания установите глубину пропила так, чтобы под распиливаемой деталью дисковая пила выступала не более чем на один зуб. Установка надлежащей глубины пропила снижает вероятность опасной ОТДАЧИ, которая может причинить травму.

► **Рис.11:** 1. Стопор нижнего ограничения режущего диска 2. Зажимной винт

Кнопка быстрой остановки для глубины пропила 2–3 мм при использовании направляющего рельса (дополнительная принадлежность)

Этот инструмент снабжен кнопкой быстрой остановки на корпусе редуктора в стороне от задней ручки для получения распила глубиной от 2 до 3 мм при использовании направляющего рельса. Эта кнопка используется для устранения сколов в пропилах на детали. Вначале сделайте первый проход глубиной от 2 до 3 мм, а затем выполните второй проход для обычного разреза.

► **Рис.12:** 1. Кнопка быстрой остановки

Для получения глубины резания от 2 до 3 мм вдавите кнопку быстрой остановки в направлении пильного диска. Это удобно для избегания появления задигов и сколов на обрабатываемой детали. Для возвращения к режиму с произвольной глубиной резания просто верните кнопку в исходное положение.

Резка под углом

Ослабьте зажимные винты. Установите желаемый угол, соответственно наклоняя основание, и затем надежно затяните винты.

► **Рис.13:** 1. Зажимной винт 2. Пластина

индикатора наклона

► **Рис.14:** 1. Подоснова (Дополнительные принадлежности) 2. Зажимной винт

Упор-ограничитель

Упор-ограничитель позволяет быстро задать необходимый угол. Поверните упор-ограничитель таким образом, чтобы стрелка на нем показывала на 22,5°. Ослабьте зажимные винты спереди и сзади. Затем наклоните диск до упора и надежно закрепите основание, затянув зажимные винты.

► **Рис.15:** 1. Упор-ограничитель 2. Зажимной винт

Угол скоса 48°

Для достижения угла скоса 48° ослабьте зажимные винты и переместите рычаги до упора в указанном направлении, как показано на рисунке. Затем установите угол скоса 48° и затяните зажимные винты.

► **Рис.16:** 1. Рычаг

Угол скоса -1°

Для достижения угла скоса -1° ослабьте зажимные винты и переведите рычаги в указанном направлении, как показано на рисунке. Затем установите угол скоса -1° и затяните зажимные винты.

► **Рис.17:** 1. Рычаг

Наведение

► **Рис.18:** 1. Основание

Линия отреза зависит от угла резки и того, используется ли направляющий рельс (дополнительная принадлежность).

При использовании инструмента без направляющего рельса

Для осуществления прямых распилов совместите положение А в передней части основания с линией отреза. Для резки под углом в 45° совместите положение В с линией отреза.

При использовании инструмента с направляющим рельсом

Для осуществления прямых распилов и распилов под углом 45° совместите положение А в передней части основания с линией отреза.

Действие выключателя

⚠ОСТОРОЖНО: Перед установкой аккумуляторного блока в инструмент обязательно убедитесь, что его триггерный переключатель нормально работает и возвращается в положение "OFF" (ВЫКЛ) при отпускании.

⚠ОСТОРОЖНО: ЗАПРЕЩАЕТСЯ нарушать работу кнопки разблокировки, заклеивая ее скотчем или другими способами. Выключатель с неработающей кнопкой разблокировки может стать причиной случайного включения и причинения тяжелой травмы.

⚠ОСТОРОЖНО: ЗАПРЕЩАЕТСЯ использовать инструмент, когда он работает при простом нажатии на триггерный переключатель без нажатия на кнопку разблокировки. Требуемый ремонт инструмента может случайно включиться и причинить тяжелую травму. Верните инструмент в сервисный центр Makita для надлежащего ремонта ДО продолжения его эксплуатации.

Для предотвращения непреднамеренного включения триггерного переключателя имеется кнопка разблокировки. Для запуска инструмента, отпустите кнопку блокировки, затем потяните триггерный переключатель. Отпустите триггерный переключатель для останова.

► **Рис.19:** 1. Триггерный переключатель 2. Кнопка разблокировки

ПРИМЕЧАНИЕ: Не нажимайте сильно на триггерный переключатель без нажатия на кнопку разблокировки. Это может привести к поломке переключателя.

Поворотный регулятор скорости

Обороты инструмента можно регулировать поворотом диска регулировки. Скорость вращения диска возрастает по мере увеличения значения на поворотном регуляторе скорости.

► **Рис.20:** 1. Поворотный регулятор скорости

См. таблицу, чтобы выбрать надлежащую скорость для обрабатываемой детали. Однако надлежащая скорость может быть разной в зависимости от типа или толщины обрабатываемой детали. Как правило, более высокие скорости позволяют резать обрабатываемые детали быстрее, но срок службы лезвий сократится.

Цифра	Количество оборотов диска в минуту (мин ⁻¹)
1	2 500 мин ⁻¹
2	2 900 мин ⁻¹
3	3 900 мин ⁻¹
4	4 900 мин ⁻¹
5	6 300 мин ⁻¹

⚠ВНИМАНИЕ: Диск регулировки скорости предназначен не для использования с низкоскоростными пильными дисками, а для достижения скорости, подходящей для материала обрабатываемой детали. Используйте только пильные диски, рассчитанные как минимум на максимальную скорость без нагрузки, указанную в разделе "ТЕХНИЧЕСКИЕ ХАРАКТЕРИСТИКИ".

ПРИМЕЧАНИЕ: Диск регулировки скорости можно поворачивать только до цифры 5 и обратно до 1. Не применяйте силу для поворота диска за пределы значений 5 или 1, так как это может привести к отказу функции регулирования скорости.

Электронная функция

Инструменты, оборудованные электронными функциями, просты в эксплуатации благодаря следующим характеристикам.

Устройство защиты от перегрузки

При перегрузке инструмента и превышении определенной температуры инструмент автоматически отключается для защиты двигателя.

Постоянный контроль скорости

Электронное управление скоростью инструмента для достижения постоянной скорости. Возможность получения тонкой отделки, так как скорость вращения держится на постоянном уровне даже при условиях нагрузки.

Функция плавного запуска

Плавный запуск благодаря подавлению начального удара.

СБОРКА

⚠ВНИМАНИЕ: Перед проведением каких-либо работ с инструментом обязательно убедитесь, что инструмент отключен, а блок аккумулятора снят.

Хранение шестигранного ключа

Когда шестигранный ключ не используется, храните его, как показано на рисунке, чтобы не потерять.

► **Рис.21:** 1. Шестигранный ключ

Снятие или установка диска циркулярной пилы

⚠ВНИМАНИЕ: Обязательно проверяйте правильность установки диска циркулярной пилы. Зубья должны смотреть вверх в передней части инструмента.

⚠ВНИМАНИЕ: Для снятия или установки диска циркулярной пилы пользуйтесь только ключом Makita.

Для снятия диска циркулярной пилы:

1. Нажмите кнопку разблокировки и немного опустите рукоятку. Поверните стопорный рычаг и опустите рукоятку, пока стопорный штифт не войдет в отверстие.
► **Рис.22:** 1. Кнопка разблокировки 2. Стопорный рычаг 3. Стопорный штифт 4. Отверстие для стопорного штифта
2. Нажмите фиксатор вала до упора, чтобы диск не мог вращаться, и ослабьте шестигранный болт с помощью шестигранного ключа.
► **Рис.23:** 1. Фиксатор вала 2. Шестигранный ключ 3. Затянуть 4. Ослабить
3. Снимите шестигранный болт, внешний фланец и диск циркулярной пилы.
► **Рис.24:** 1. Болт с шестигранной головкой 2. Наружный фланец 3. Внутренний фланец 4. Диск циркулярной пилы

⚠ОСТОРОЖНО: Если внутренний фланец снят, установите его на шпindel. При установке правильно выбирайте сторону, выступ на которой точно соответствует отверстию на пильном диске. Установка диска неверной стороной может привести к возникновению опасной вибрации.

Установка диска циркулярной пилы выполняется в порядке, обратном процедуре снятия. Нажмите кнопку разблокировки, чтобы вынуть стопорный штифт из отверстия.

⚠ОСТОРОЖНО: НАДЕЖНО ЗАТЯНИТЕ БОЛТ С ШЕСТИГРАННОЙ ГОЛОВКОЙ. Не перетягивайте болт. Соскальзывание руки с шестигранного ключа может стать причиной травмы.

Очистка ограждения диска

При замене диска циркулярной пилы убедитесь, что защитный кожух очищен от скопившихся опилок в соответствии с инструкциями в разделе "Техническое обслуживание". Подобные меры не подменяют собой необходимость проверки кожуха перед каждым использованием.

Подключение пылесоса

Дополнительные принадлежности

При необходимости выполнения чистого распиливания подключите к вашему инструменту пылесос Makita. Подсоедините шланг пылесоса к пылесборному патрубку с помощью передних патрубков 24.

- **Рис.25:** 1. Шланг пылесоса 2. Передние патрубки 24 3. Пылесборный патрубок

ЭКСПЛУАТАЦИЯ

⚠ВНИМАНИЕ: Осторожно перемещайте инструмент вперед по прямой линии.

Применение силы или кручение инструмента приведут к перегреву двигателя и опасному отскоку, результатом чего может стать серьезная травма.

⚠ВНИМАНИЕ: Никогда не помещайте какие-либо части вашего тела на уровень ниже основания инструмента при получении разрезов, особенно в начале работы. Нарушение этого требования может привести к получению серьезных травм. Режущий диск не закрыт под основанием инструмента.

ПРИМЕЧАНИЕ: При низкой температуре блока аккумулятора инструмент может работать не в полную мощность. В это время инструмент рекомендуется использовать для резания в легких режимах, пока блок аккумуляторов не нагреется до комнатной температуры. Затем инструмент может работать в полную мощность.

Выполнение разрезов (стандартное распиливание)

► Рис.26

Крепко держите инструмент. Инструмент снабжен передней и задней ручками. Используйте обе ручки для удержания инструмента. Если вы держите пилу обеими руками, вы исключаете риск их травмирования пильным диском. Установите основание циркулярной пилы на распиливаемую деталь так, чтобы пильный диск не касался детали. Затем нажмите кнопку разблокировки и потяните триггерный переключатель. Дождитесь, пока диск циркулярной пилы не наберет максимальную скорость вращения. Теперь медленно нажмите на головку пилы для достижения нужной глубины резания и просто ведите инструмент вперед по поверхности детали, держа ее плоско и плавно, пока резание не завершится.

Для чистого распиливания перемещайте инструмент вперед строго по прямой линии и с постоянной скоростью. Если при распиливании произошло отклонение от намеченной линии, не пытайтесь принудительно вернуть инструмент на линию распиливания. Это может вызвать изгиб диска циркулярной пилы и возникновение опасной отдачи, которая может привести к травме. Отпустите выключатель, дождитесь остановки диска циркулярной пилы и вытащите его из распила. Заново совместите инструмент с новой линией пропила и начните распиливание снова. Старайтесь избегать положений, при которых отбрасываемые пилой опилки и древесная пыль попадают на оператора. Во избежание получения травм используйте защитные очки.

Направляющий рельс

Дополнительные принадлежности

Поместите инструмент на задний конец направляющего рельса. Поверните два регулировочных винта на основании инструмента таким образом, чтобы

инструмент скользил плавно и без дребезга. Крепко держите инструмент за переднюю и заднюю ручки. Включите инструмент, придавите инструмент на нужную глубину пиления и проведите пиление вдоль всей длины предохранителя скальвания за один проход. Теперь край предохранителя скальвания совпадает с краем резания.

► **Рис.27:** 1. Регулировочные винты

Выполняя резку под скосом с помощью направляющего рельса, используйте рычаг скольжения для предотвращения падения инструмента.

Переместите рычаг скольжения на основании инструмента в направлении стрелки таким образом, чтобы он вошел в канавку направляющего рельса.

► **Рис.28:** 1. Рычаг скольжения

Подоснова (направляющая линейка)

Дополнительные принадлежности

Используя подоснову в качестве направляющей линейки, вы можете выполнять сверхточную прямую резку. Ослабьте зажимные винты и выдвиньте подоснову, затем вставьте ее в перевернутом виде.

► **Рис.29:** 1. Зажимной винт 2. Подоснова

Просто выдвиньте ограждение подосновы к боковой поверхности детали и закрепите ее в этом положении при помощи зажимных винтов. Она позволяет также осуществлять повторное отпиливание деталей одинаковой ширины.

► **Рис.30:** 1. Зажимной винт 2. Подоснова

Врезание (отпиливание)

⚠ ОСТОРОЖНО: Во избежание обратной отдачи следите за соблюдением следующих инструкций.

► **Рис.31:** 1. Задний край основания инструмента
2. Фиксирующий упор

При использовании инструмента без направляющего рельса поместите инструмент на обрабатываемую деталь так, чтобы задний конец основания инструмента оказывался напротив фиксированного упора или иной подобной оснастки.

При использовании инструмента с направляющим рельсом поместите инструмент на направляющий рельс так, чтобы задний конец основания инструмента оказывался напротив фиксированного упора или иной подобной оснастки, закрепленной на направляющем рельсе.

Держите инструмент крепко одной рукой за переднюю ручку и другой рукой за ручку инструмента. Затем нажмите на кнопку разблокировки, включите инструмент и дождитесь, когда диск пилы наберет полные обороты. Теперь плавно нажмите на головку пилы вниз до выставленной глубины и просто перемещайте инструмент вперед до желаемого положения разреза.

ПРИМЕЧАНИЕ: Маркировка на боковой стороне ограждения диска показывает переднюю и заднюю точки резания пильного диска при максимальной глубине резки с использованием направляющего рельса.

► **Рис.32:** 1. Передняя точка резания 2. Задняя точка резания

Направляющее устройство

Дополнительные принадлежности

Направляющая для снятия фаски обеспечивает точный распил с требуемым углом и упрощает последующий монтаж.

Зажим гарантирует надежное крепление детали на stole.

ФУНКЦИЯ БЕСПРОВОДНОЙ АКТИВАЦИИ

Только для DSP601

Что позволяет делать функция беспроводной активации

Функция беспроводной активации обеспечивает беспрепятственную и удобную работу. Подключив к инструменту поддерживаемый пылесос, можно его автоматически запускать, используя переключатель инструмента.

► **Рис.33**

Чтобы использовать функцию беспроводной активации, подготовьте следующие компоненты:

- Беспроводной блок (Дополнительные принадлежности)
- Пылесос, который поддерживает функцию беспроводной активации

Обзор настройки функции беспроводной активации выгладит следующим образом. Подробные процедуры см. в каждом разделе.

1. Установка беспроводного блока
2. Регистрация инструмента для пылесоса
3. Запуск функции беспроводной активации

Установка беспроводного блока

Дополнительные принадлежности

⚠ ВНИМАНИЕ: При установке беспроводного блока поместите инструмент на ровную и устойчивую поверхность.

ПРИМЕЧАНИЕ: Перед началом установки беспроводного блока очистите пыль и грязь на инструменте. Если пыль или грязь попадет в гнездо беспроводного блока, это может привести к неисправности.

ПРИМЕЧАНИЕ: Во избежание сбоев, вызванных статическим электричеством, прежде чем поднимать беспроводной блок, прикоснитесь к материалу, позволяющему снять статический заряд, например, к металлической части инструмента.

ПРИМЕЧАНИЕ: При установке беспроводного блока всегда следите за тем, чтобы беспроводной блок был вставлен в правильном направлении, и крышка была полностью закрыта.

1. Откройте крышку на инструменте, как показано на рисунке.

► **Рис.34:** 1. Крышка

2. Вставьте беспроводной блок в гнездо и закройте крышку.

При вставке беспроводного блока выровняйте выступы с углубленными частками в гнезде.

► **Рис.35:** 1. Беспроводной блок 2. Защита 3. Крышка 4. Углубленный участок

При извлечении беспроводного блока медленно откройте крышку. Если потянуть крышку, то крючки на обратной стороне крышки поднимут беспроводной блок.

► **Рис.36:** 1. Беспроводной блок 2. Крючок 3. Крышка

После извлечения беспроводного блока поместите его в поставляемый футляр или в контейнер без статического электричества.

ПРИМЕЧАНИЕ: Для снятия беспроводного блока обязательно используйте крючки на обратной стороне крышки. Если крючки не захватывают беспроводной блок, полностью закройте крышку и снова медленно откройте ее.

Регистрация инструмента для пылесоса

ПРИМЕЧАНИЕ: Для регистрации инструмента необходим пылесос Makita, поддерживающий функцию беспроводной активации.

ПРИМЕЧАНИЕ: Перед началом регистрации инструмента завершите установку беспроводного блока в инструмент.

ПРИМЕЧАНИЕ: Во время регистрации инструмента не тяните за триггерный переключатель и не включайте выключатель питания на пылесосе.

ПРИМЕЧАНИЕ: См. также руководство по эксплуатации пылесоса.

Если необходимо активировать пылесос одновременно с переключением инструмента, сначала завершите регистрацию инструмента.

1. Установите аккумулятор в пылесос и инструмент.

2. Установите выключатель режима ожидания на пылесосе в положение «АУТО» (автоматический).

► **Рис.37:** 1. Выключатель режима ожидания

3. Нажмите и удерживайте кнопку беспроводной активации на пылесосе в течение 3 секунд, пока лампа беспроводной активации не замигает зеленым цветом. Затем таким же образом нажмите кнопку беспроводной активации на инструменте.

► **Рис.38:** 1. Кнопка беспроводной активации 2. Лампа беспроводной активации

Если пылесос и инструмент надежно соединены друг с другом, то лампы беспроводной активации будут гореть зеленым светом в течение 2 секунд, затем начнут мигать синим цветом.

ПРИМЕЧАНИЕ: Через 20 секунд лампы беспроводной активации связи закончат мигать зеленым цветом. Если на пылесосе мигает лампа беспроводной активации, нажмите кнопку беспроводной активации на инструменте. Если лампа беспроводной активации не мигает зеленым цветом, нажмите кнопку беспроводной активации на короткое время, а затем снова удерживайте ее.

ПРИМЕЧАНИЕ: При выполнении двух или более регистраций инструмента для одного пылесоса завершите регистрацию инструмента одну за другой.

Запуск функции беспроводной активации

ПРИМЕЧАНИЕ: Перед беспроводной активацией завершите регистрацию инструмента для пылесоса.

ПРИМЕЧАНИЕ: См. также руководство по эксплуатации пылесоса.

После регистрации инструмента для пылесоса можно использовать переключатель инструмента для автоматического запуска пылесоса.

1. Установите беспроводной блок в инструмент.

2. Подсоедините шланг пылесоса к инструменту.

► **Рис.39**

3. Установите выключатель режима ожидания на пылесосе в положение «АУТО» (автоматический).

► **Рис.40:** 1. Выключатель режима ожидания

4. На короткое время нажмите кнопку беспроводной активации на инструменте. Лампа беспроводной активации мигает синим цветом.

► **Рис.41:** 1. Кнопка беспроводной активации 2. Лампа беспроводной активации

5. Включите инструмент. Проверьте, работает ли пылесос во время работы инструмента.

Чтобы остановить беспроводную активацию пылесоса, нажмите кнопку беспроводной активации на инструменте.

ПРИМЕЧАНИЕ: Если в течение 2 часов не будет выполняться никаких действий, то лампа беспроводной активации на инструменте перестанет мигать синим цветом. В этом случае установите выключатель режима ожидания на пылесосе в положение «АУТО» и снова нажмите кнопку беспроводной активации на инструменте.

ПРИМЕЧАНИЕ: Пылесос запускается/останавливается с задержкой. Когда пылесос обнаруживает переключение выключателя инструмента, возникает временная задержка.









ПРИМЕЧАНИЕ: Дальность передачи беспроводного блока может варьироваться в зависимости от местоположения и окружающих предметов.

ПРИМЕЧАНИЕ: Если за одним пылесосом закреплено два или несколько инструментов, то пылесос может начать работать, даже если вы не включаете свой инструмент, поскольку другой пользователь использует функцию беспроводной активации.

Описание статуса лампы беспроводной активации

► Рис.42: 1. Лампа беспроводной активации

Лампа беспроводной активации отображает состояние функции беспроводной активации. Значения состояния лампы см. в таблице ниже.

Состояние	Лампа беспроводной активации				Описание
	Цвет	 Вкл	 Мигает	Продолжительность	
Ожидание	Синий			2 часа	Доступна беспроводная активация пылесоса. Если в течение 2 часов не будет выполняться никаких операций, лампа автоматически выключится.
				Пока инструмент работает.	Доступна беспроводная активация пылесоса, инструмент работает.
Регистрация инструмента	Зеленая			20 секунд	Готовность к регистрации инструмента. Ожидание регистрации пылесосом.
				2 секунды	Регистрация инструмента завершена. Лампа беспроводной активации начнет мигать синим цветом.
Отмена регистрации инструмента	Красная			20 секунд	Готовность к отмене регистрации инструмента. Ожидание отмены пылесосом.
				2 секунды	Отмена регистрации инструмента завершена. Лампа беспроводной активации начнет мигать синим цветом.
Прочие	Красная			3 секунд	На беспроводной блок подается питание, и запускается функция беспроводной активации.
		Выкл	-	-	Беспроводная активация пылесоса прекращается.

Отмена регистрации инструмента для пылесоса

При отмене регистрации инструмента для пылесоса выполните следующую процедуру.

1. Установите аккумулятор в пылесос и инструмент.
2. Установите выключатель режима ожидания на пылесосе в положение «АУТО» (автоматический).

► Рис.43: 1. Выключатель режима ожидания

3. Нажмите и удерживайте кнопку беспроводной активации на пылесосе в течение 6 секунд.

Лампа беспроводной активации мигает зеленым, а затем переключается на красный цвет. После этого нажмите кнопку беспроводной активации на инструменте таким же образом.

- Рис.44: 1. Кнопка беспроводной активации
2. Лампа беспроводной активации

Если отмена выполнена успешно, лампы беспроводной активации загорятся красным цветом на 2 секунды и начнут мигать синим цветом.

ПРИМЕЧАНИЕ: По истечении 20 секунд лампы беспроводной активации прекращают мигать красным цветом. Если на пылесосе мигает лампа беспроводной активации, нажмите кнопку беспроводной активации на инструменте. Если лампа беспроводной активации не мигает красным цветом, нажмите кнопку беспроводной активации на короткое время, а затем снова удерживайте ее.

Поиск и устранение неисправностей для функции беспроводной активации

Прежде чем обращаться по поводу ремонта, проведите осмотр самостоятельно. Если обнаружена неисправность, не указанная в руководстве, не пытайтесь разобрать инструмент. Обратитесь в один из авторизованных сервисных центров Makita, в которых для ремонта всегда используются оригинальные детали Makita.

Состояние неисправности	Возможная причина (неисправности)	Способ устранения
Лампа беспроводной активации не горит/мигает.	Беспроводной блок не установлен в инструмент. Беспроводной блок неправильно установлен в инструмент.	Правильно установите беспроводной блок.
	Грязь на клемме беспроводного блока и/или гнезда.	Аккуратно вытрите пыль и грязь на клемме беспроводного блока и очистите гнездо.
	Не нажата кнопка беспроводной активации на инструменте.	На короткое время нажмите кнопку беспроводной активации на инструменте.
	Выключатель режима ожидания на пылесосе не установлен в положение «АUTO» (автоматический).	Установите выключатель режима ожидания на пылесосе в положение «АUTO» (автоматический).
	Отсутствует электропитание	Подайте питание на инструмент и пылесос.
Не удается успешно завершить регистрацию/отмену регистрации инструмента.	Беспроводной блок не установлен в инструмент. Беспроводной блок неправильно установлен в инструмент.	Правильно установите беспроводной блок.
	Грязь на клемме беспроводного блока и/или гнезда.	Аккуратно вытрите пыль и грязь на клемме беспроводного блока и очистите гнездо.
	Выключатель режима ожидания на пылесосе не установлен в положение «АUTO» (автоматический).	Установите выключатель режима ожидания на пылесосе в положение «АUTO» (автоматический).
	Отсутствует электропитание	Подайте питание на инструмент и пылесос.
	Неверная операция	На короткое время нажмите кнопку беспроводной активации и снова выполните процедуру регистрации/отмены.
	Большое расстояние между инструментом и пылесосом (вне диапазона передачи).	Расположите инструмент и пылесос ближе друг к другу. Максимальное расстояние передачи составляет приблизительно 10 м, однако оно может изменяться в зависимости от обстоятельств.
	Перед завершением регистрации инструмента/отменной; - выключатель инструмента переведен в положение «On» (Вкл.); или - кнопка питания на пылесосе переведена в положение «On» (Вкл.).	На короткое время нажмите кнопку беспроводной активации и снова выполните процедуру регистрации/отмены.
	Процедура регистрации инструмента для инструмента или пылесоса не завершена.	Одновременно выполните процедуры регистрации инструмента для инструмента и для пылесоса.
Радиопомехи от других приборов, которые генерируют радиоволны высокой интенсивности.	Избегайте эксплуатации инструмента и пылесоса рядом с такими приборами, как устройства Wi-Fi и микроволновые печи.	

Состояние неисправности	Возможная причина (неисправности)	Способ устранения
Пылесос не работает при использовании переключателя инструмента.	Беспроводной блок не установлен в инструмент. Беспроводной блок неправильно установлен в инструмент.	Правильно установите беспроводной блок.
	Грязь на клемме беспроводного блока и/или гнезда.	Аккуратно вытрите пыль и грязь на клемме беспроводного блока и очистите гнездо.
	Не нажата кнопка беспроводной активации на инструменте.	На короткое время нажмите кнопку беспроводной активации и убедитесь в том, что лампа беспроводной активации мигает синим цветом.
	Выключатель режима ожидания на пылесосе не установлен в положение «АУТО» (автоматический).	Установите выключатель режима ожидания на пылесосе в положение «АУТО» (автоматический).
	В пылесосе зарегистрировано более 10 инструментов.	Выполните повторную регистрацию инструмента. Если в пылесосе зарегистрировано более 10 инструментов, инструмент, зарегистрированный самым первым, будет автоматически отменен.
	Пылесос удалил все записи регистрации инструментов.	Выполните повторную регистрацию инструмента.
	Отсутствует электропитание	Подайте питание на инструмент и пылесос.
	Большое расстояние между инструментом и пылесосом (вне диапазона передачи).	Расположите инструмент и пылесос ближе друг к другу. Максимальное расстояние передачи составляет приблизительно 10 м, однако оно может изменяться в зависимости от обстоятельств.
	Радиопомехи от других приборов, которые генерируют радиоволны высокой интенсивности.	Избегайте эксплуатации инструмента и пылесоса рядом с такими приборами, как устройства Wi-Fi и микроволновые печи.
Пылесос работает в то время, когда инструмент не работает.	Другие пользователи используют беспроводную активацию пылесоса с помощью своих инструментов.	Отключите кнопку беспроводной активации других инструментов или отмените регистрацию инструмента для других инструментов.

ОБСЛУЖИВАНИЕ

ВНИМАНИЕ: Перед проведением проверки или работ по техобслуживанию всегда проверяйте, что инструмент выключен, а блок аккумуляторов снят.

ВНИМАНИЕ: Очистите кожух, чтобы удалить скопившиеся опилки, так как они могут ухудшить работу защитной системы. Загрязнение защитной системы может помешать ее работе и привести к тяжелым травмам. Самый эффективный способ очистки – это очистка с использованием сжатого воздуха. При удалении пыли из кожуха с помощью сжатого воздуха обязательно используйте надлежащие средства защиты органов зрения и дыхания.

ПРИМЕЧАНИЕ: Запрещается использовать бензин, растворители, спирт и другие подобные жидкости. Это может привести к обесцвечиванию, деформации и трещинам.

Регулировка точности распила под углом 0° и 45°

ПРИМЕЧАНИЕ: Не пользуйтесь рычагами для угла скоса -1° при регулировке точности распила под углом 0°.

ПРИМЕЧАНИЕ: Не пользуйтесь рычагом для угла скоса 48° при регулировке точности распила под углом 45°.

Данные регулировки уже выполнены на предприятии-изготовителе. Если регулировка нарушается, выполните следующую процедуру.

1. Слегка ослабьте зажимные винты в передней и задней части инструмента.
 2. Отрегулируйте угол наклона диска.
- **Рис.45:** 1. Треугольная линейка

Для регулировки точности распила под углом 0° обеспечьте прямой угол между поверхностью и диском с помощью треугольной или квадратной линейки. Для этого поворачивайте регулировочный болт.

► **Рис.46:** 1. Регулировочный болт для распила под углом 0°

Для регулировки точности распила под углом 45° обеспечьте угол 45° между поверхностью и диском с помощью треугольной линейки. Для этого поворачивайте регулировочный болт.

► **Рис.47:** 1. Регулировочный болт для распила под углом 45°

3. Затяните зажимные винты и выполните пробный надрез.

Для обеспечения БЕЗОПАСНОСТИ и НАДЕЖНОСТИ оборудования ремонт, любое другое техобслуживание или регулировку необходимо производить в уполномоченных сервис-центрах Makita или сервис-центрах предприятия с использованием только сменных частей производства Makita.

ДОПОЛНИТЕЛЬНЫЕ ПРИНАДЛЕЖНОСТИ

⚠ ВНИМАНИЕ: Данные принадлежности или приспособления рекомендуются для использования с инструментом Makita, указанным в настоящем руководстве. Использование других принадлежностей или приспособлений может привести к получению травмы. Используйте принадлежность или приспособление только по указанному назначению.

Если вам необходимо содействие в получении дополнительной информации по этим принадлежностям, свяжитесь с вашим сервис-центром Makita.

- Диск циркулярной пилы
- Подоснова
- Шестигранный ключ
- Направляющий рельс
- Направляющая для снятия фаски
- Зажим
- Лист
- Резиновый лист
- Позиционирующий лист
- Беспроводной блок (для DSP601)
- Оригинальный аккумулятор и зарядное устройство Makita

ПРИМЕЧАНИЕ: Некоторые элементы списка могут входить в комплект инструмента в качестве стандартных приспособлений. Они могут отличаться в зависимости от страны.

Makita Europe N.V.

Jan-Baptist Vinkstraat 2, 3070 Kortenberg, Belgium

Makita Corporation

3-11-8, Sumiyoshi-cho, Anjo, Aichi 446-8502 Japan

www.makita.com



885610D987
EN, SV, NO, FI, DA,
LV, LT, ET, RU
20240711