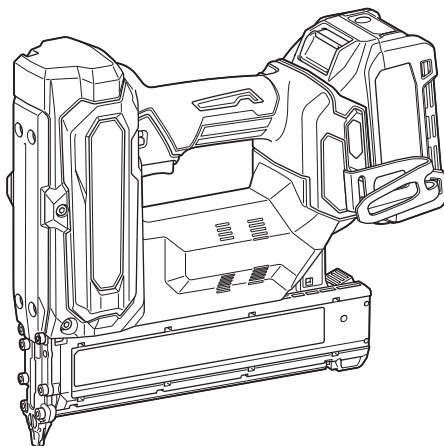




EN	Cordless Brad Nailer	INSTRUCTION MANUAL	5
SV	Sladdlös spikpistol	BRUKSANVISNING	12
NO	Batteridreven spikerpistol	BRUKSANVISNING	19
FI	Akkukäyttöinen viimeistelynaulain	KÄYTTÖOHJE	26
DA	Ledningsfri sømpistol til dykkersøm	BRUGSANVISNING	33
LV	Bezvadu naglotājs	LIETOŠANAS INSTRUKCIJA	40
LT	Akumuliatorinis vinių su mažomis galvutėmis kalimo įrankis	NAUDOJIMO INSTRUKCIJA	47
ET	Juhtmeta naelapüstol	KASUTUSJUHEND	54
RU	Аккумуляторный Штифтозабивной Пистолет	РУКОВОДСТВО ПО ЭКСПЛУАТАЦИИ	61

FN001G



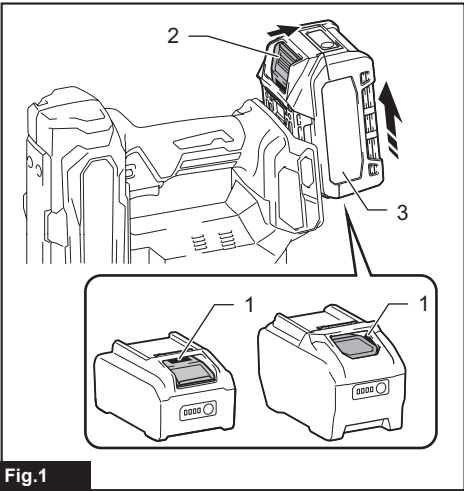


Fig.1

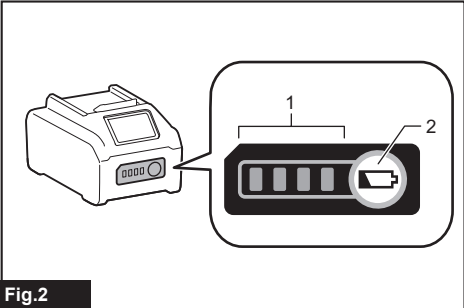


Fig.2

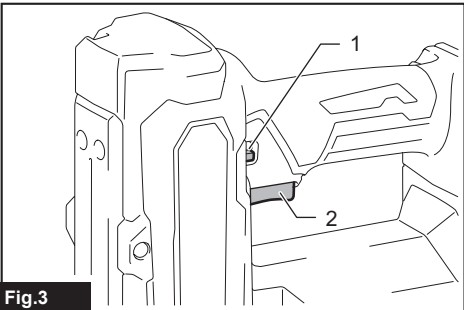


Fig.3

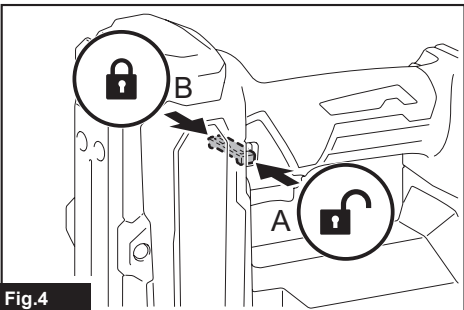


Fig.4

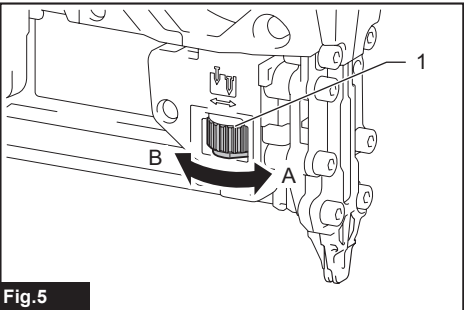


Fig.5

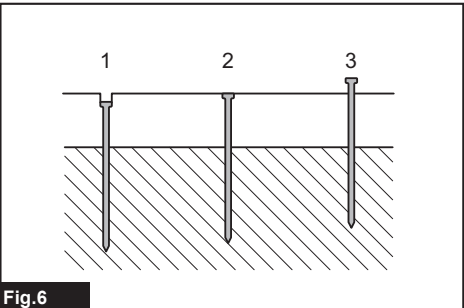


Fig.6

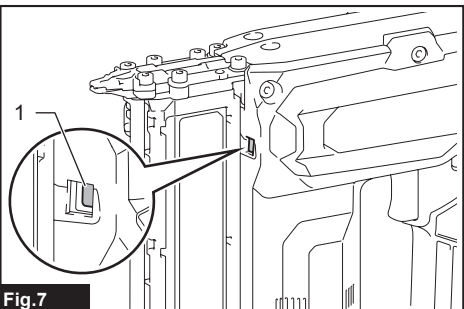


Fig.7

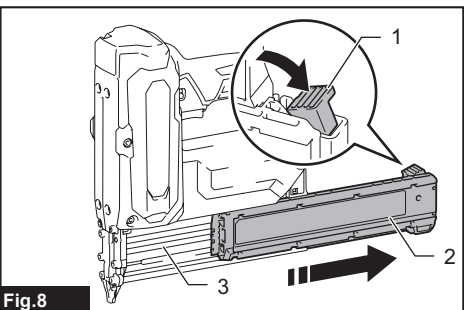


Fig.8

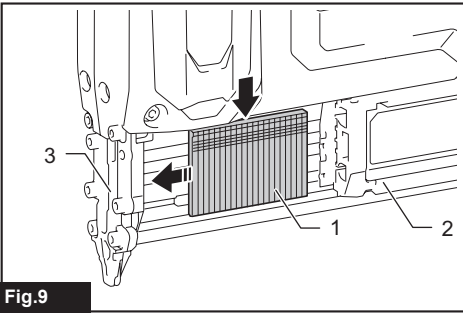


Fig.9

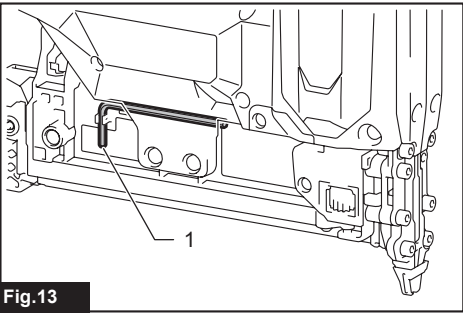


Fig.13

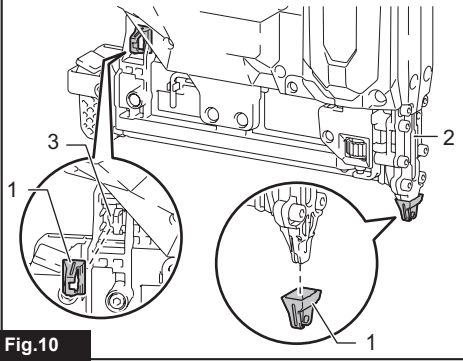


Fig.10

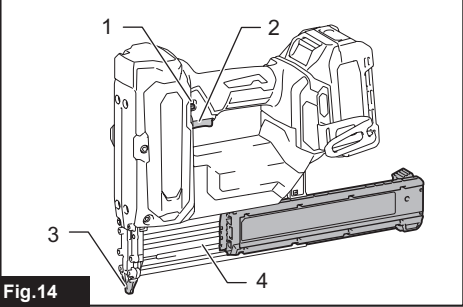


Fig.14

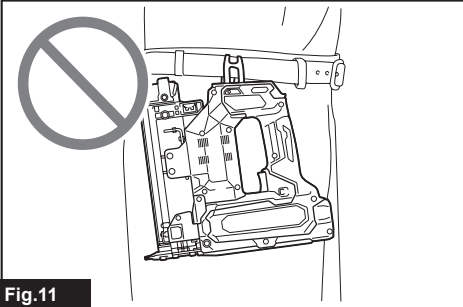


Fig.11

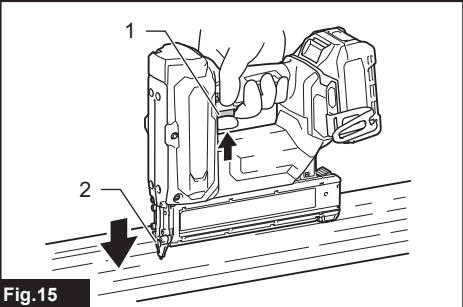


Fig.15

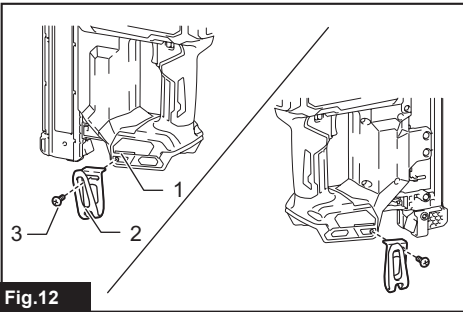


Fig.12

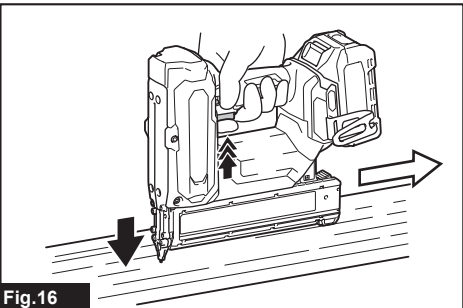
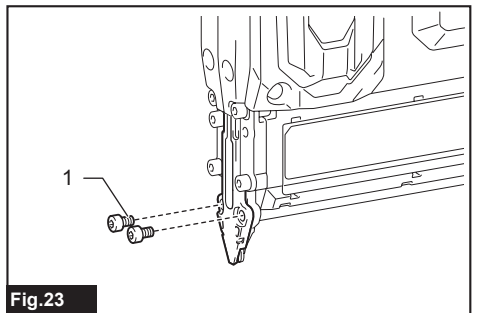
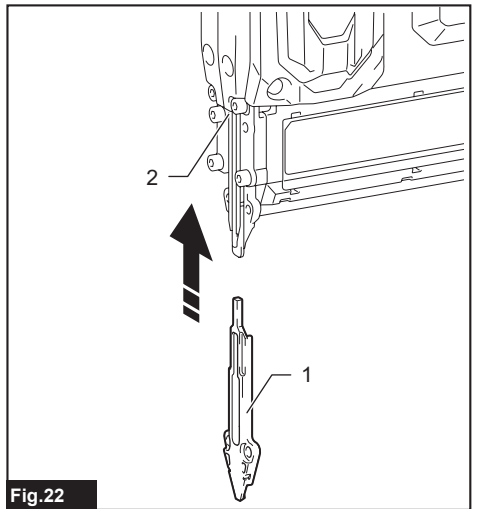
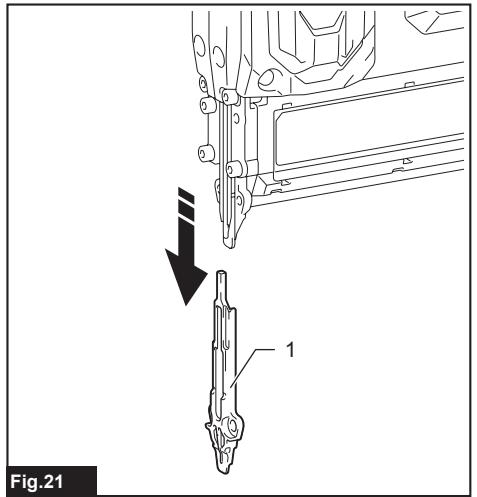
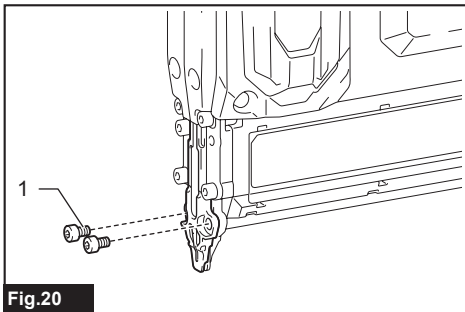
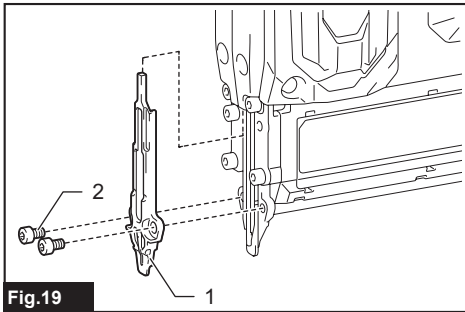
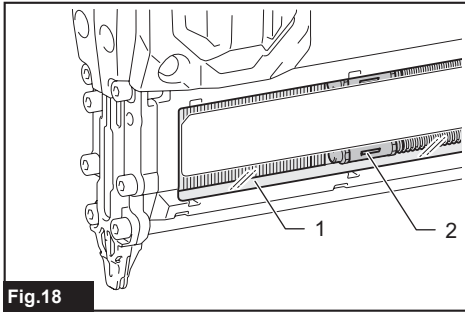
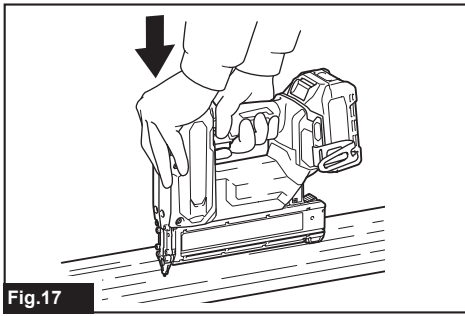


Fig.16



SPECIFICATIONS

Model:	FN001G
Nail size	18Ga x 15, 20, 25, 30, 35, 40 mm
Nail magazine capacity	100 pcs.
Dimensions with BL4025, without hook (L x W x H)	265 mm x 86 mm x 243 mm
Rated voltage	D.C. 36 V - 40 V max
Net weight	2.6 - 3.8 kg

- Due to our continuing program of research and development, the specifications herein are subject to change without notice.
- Specifications and battery cartridge may differ from country to country.
- The weight may differ depending on the attachment(s), including the battery cartridge. The lightest and heaviest combinations, according to EPTA-Procedure 01/2014, are shown in the table.

Applicable battery cartridge and charger

Battery cartridge	BL4020* / BL4025* / BL4040 / BL4040F / BL4050F / BL4080F * : Recommended battery
Charger	DC40RA / DC40RB / DC40RC / DC40WA / BCC01 / BCC02

- Some of the battery cartridges and chargers listed above may not be available depending on your region of residence.

⚠WARNING: Only use the battery cartridges and chargers listed above. Use of any other battery cartridges and chargers may cause injury and/or fire.

Intended use

The tool is intended for fastening on interior work and furniture work.

Noise

The typical A-weighted noise level determined according to EN60745-2-16:

Sound pressure level (L_{pA}) : 81 dB (A)

Sound power level (L_{WA}) : 92 dB (A)

Uncertainty (K) : 3 dB (A)

NOTE: The declared noise emission value(s) has been measured in accordance with a standard test method and may be used for comparing one tool with another.

NOTE: The declared noise emission value(s) may also be used in a preliminary assessment of exposure.

⚠WARNING: Wear ear protection.

⚠WARNING: The noise emission during actual use of the power tool can differ from the declared value(s) depending on the ways in which the tool is used especially what kind of workpiece is processed.

⚠WARNING: Be sure to identify safety measures to protect the operator that are based on an estimation of exposure in the actual conditions of use (taking account of all parts of the operating cycle such as the times when the tool is switched off and when it is running idle in addition to the triggering time).

Vibration

The vibration total value determined according to EN60745-2-16:

Vibration emission (a_h) : 2.5 m/s² or less

Uncertainty (K) : 1.5 m/s²

NOTE: The declared vibration total value(s) has been measured in accordance with a standard test method and may be used for comparing one tool with another.

NOTE: The declared vibration total value(s) may also be used in a preliminary assessment of exposure.

⚠WARNING: The vibration emission during actual use of the power tool can differ from the declared value(s) depending on the ways in which the tool is used especially what kind of workpiece is processed.

⚠WARNING: Be sure to identify safety measures to protect the operator that are based on an estimation of exposure in the actual conditions of use (taking account of all parts of the operating cycle such as the times when the tool is switched off and when it is running idle in addition to the trigger time).

Declarations of Conformity

For European countries only

The Declarations of conformity are included in Annex A to this instruction manual.

SAFETY WARNINGS

General power tool safety warnings

⚠WARNING Read all safety warnings, instructions, illustrations and specifications provided with this power tool. Failure to follow all instructions listed below may result in electric shock, fire and/or serious injury.

Save all warnings and instructions for future reference.

The term "power tool" in the warnings refers to your mains-operated (corded) power tool or battery-operated (cordless) power tool.

Cordless nailer safety warnings

1. **Always assume that the tool contains fasteners.** Careless handling of the nailer can result in unexpected firing of fasteners and personal injury.
2. **Do not point the tool towards yourself or anyone nearby.** Unexpected triggering will discharge the fastener causing an injury.
3. **Do not actuate the tool unless the tool is placed firmly against the workpiece.** If the tool is not in contact with the workpiece, the fastener may be deflected away from your target.
4. **Disconnect the tool from the power source when the fastener jams in the tool.** While removing a jammed fastener, the nailer may be accidentally activated if it is plugged in.
5. **Use caution while removing a jammed fastener.** The mechanism may be under compression and the fastener may be forcefully discharged while attempting to free a jammed condition.
6. **Do not use this nailer for fastening electrical cables.** It is not designed for electric cable installation and may damage the insulation of electric cables thereby causing electric shock or fire hazards.
7. **Keep hands and feet away from the ejection**

port area.

8. **Follow instruction for lubricating and changing accessories.**
9. **Always remove the battery cartridge before loading the fasteners, adjustment, inspection, maintenance or after operation is over.**
10. **Make sure no one is nearby before operation. Never attempt to drive fasteners from both the inside and outside of wall at the same time.** Fasteners may rip through and/or fly off, presenting a grave danger.
11. **Watch your footing and maintain your balance with the tool. Make sure there is no one below when working in high locations.**
12. **Never use fastener driving tools marked with the symbol "Do not use on scaffoldings, ladders" for specific application for example:**
 - when changing one driving location to another involves the use of scaffoldings, stairs, ladders, or ladder alike constructions, e.g. roof laths;
 - closing boxes or crates;
 - fitting transportation safety systems e.g. on vehicles and wagons.
13. **Check walls, ceilings, floors, roofing and the like carefully to avoid possible electrical shock, gas leakage, explosions, etc. caused by stapling into live wires, conduits or gas pipes.**
14. **Use only fasteners specified in this manual.** The use of any other fasteners may cause malfunction of the tool.
15. **Do not tamper with the tool or attempt to use it for other than driving fasteners.**
16. **Do not operate the tool without fasteners.** It shortens the service life of the tool.
17. **Stop driving operations immediately if you notice something wrong or out of the ordinary with the tool.**
18. **Never fasten into any materials which may allow the fastener to puncture and fly through as a projectile.**
19. **Never actuate the switch trigger and contact element at the same time until you are prepared to fasten workpieces. Allow the workpiece to depress the contact element. Never defeat its purpose by securing the contact element back or by depressing it by hand.**
20. **Never tamper with the contact element. Check the contact element frequently for proper operations.**
21. **Always remove fasteners from the tool when not in use.**

SAVE THESE INSTRUCTIONS.

⚠WARNING: DO NOT let comfort or familiarity with product (gained from repeated use) replace strict adherence to safety rules for the subject product. MISUSE or failure to follow the safety rules stated in this instruction manual may cause serious personal injury.

Important safety instructions for battery cartridge

1. Before using battery cartridge, read all instructions and cautionary markings on (1) battery charger, (2) battery, and (3) product using battery.
2. Do not disassemble or tamper with the battery cartridge. It may result in a fire, excessive heat, or explosion.
3. If operating time has become excessively shorter, stop operating immediately. It may result in a risk of overheating, possible burns and even an explosion.
4. If electrolyte gets into your eyes, rinse them out with clear water and seek medical attention right away. It may result in loss of your eyesight.
5. Do not short the battery cartridge:
 - (1) Do not touch the terminals with any conductive material.
 - (2) Avoid storing battery cartridge in a container with other metal objects such as nails, coins, etc.
 - (3) Do not expose battery cartridge to water or rain.

A battery short can cause a large current flow, overheating, possible burns and even a breakdown.

6. Do not store and use the tool and battery cartridge in locations where the temperature may reach or exceed 50 °C (122 °F).
7. Do not incinerate the battery cartridge even if it is severely damaged or is completely worn out. The battery cartridge can explode in a fire.
8. Do not nail, cut, crush, throw, drop the battery cartridge, or hit against a hard object to the battery cartridge. Such conduct may result in a fire, excessive heat, or explosion.
9. Do not use a damaged battery.
10. The contained lithium-ion batteries are subject to the Dangerous Goods Legislation requirements.

For commercial transports e.g. by third parties, forwarding agents, special requirement on packaging and labeling must be observed.
For preparation of the item being shipped, consulting an expert for hazardous material is required. Please also observe possibly more detailed national regulations.

Tape or mask off open contacts and pack up the battery in such a manner that it cannot move around in the packaging.
11. When disposing the battery cartridge, remove it from the tool and dispose of it in a safe place. Follow your local regulations relating to disposal of battery.
12. Use the batteries only with the products specified by Makita. Installing the batteries to non-compliant products may result in a fire, excessive heat, explosion, or leak of electrolyte.
13. If the tool is not used for a long period of time, the battery must be removed from the tool.
14. During and after use, the battery cartridge may

take on heat which can cause burns or low temperature burns. Pay attention to the handling of hot battery cartridges.

15. Do not touch the terminal of the tool immediately after use as it may get hot enough to cause burns.
16. Do not allow chips, dust, or soil stuck into the terminals, holes, and grooves of the battery cartridge. It may cause heating, catching fire, burst and malfunction of the tool or battery cartridge, resulting in burns or personal injury.
17. Unless the tool supports the use near high-voltage electrical power lines, do not use the battery cartridge near high-voltage electrical power lines. It may result in a malfunction or breakdown of the tool or battery cartridge.
18. Keep the battery away from children.

SAVE THESE INSTRUCTIONS.

CAUTION: Only use genuine Makita batteries. Use of non-genuine Makita batteries, or batteries that have been altered, may result in the battery bursting causing fires, personal injury and damage. It will also void the Makita warranty for the Makita tool and charger.

Tips for maintaining maximum battery life

1. Charge the battery cartridge before completely discharged. Always stop tool operation and charge the battery cartridge when you notice less tool power.
2. Never recharge a fully charged battery cartridge. Overcharging shortens the battery service life.
3. Charge the battery cartridge with room temperature at 10 °C - 40 °C (50 °F - 104 °F). Let a hot battery cartridge cool down before charging it.
4. When not using the battery cartridge, remove it from the tool or the charger.
5. Charge the battery cartridge if you do not use it for a long period (more than six months).

FUNCTIONAL DESCRIPTION

CAUTION: Always be sure that the tool is switched off and the battery cartridge is removed before adjusting or checking function on the tool.

Installing or removing battery cartridge

CAUTION: Always switch off the tool before installing or removing of the battery cartridge.

CAUTION: Hold the tool and the battery cartridge firmly when installing or removing battery cartridge. Failure to hold the tool and the battery cartridge firmly may cause them to slip off your hands and result in damage to the tool and battery cartridge and a personal injury.

To install the battery cartridge, align the tongue on the battery cartridge with the groove in the housing and slip it into place. Insert it all the way until it locks in place with a little click. If you can see the red indicator as shown in the figure, it is not locked completely.

To remove the battery cartridge, slide it from the tool while sliding the button on the front of the cartridge.

► **Fig.1:** 1. Red indicator 2. Button 3. Battery cartridge

CAUTION: Always install the battery cartridge fully until the red indicator cannot be seen. If not, it may accidentally fall out of the tool, causing injury to you or someone around you.

CAUTION: Do not install the battery cartridge forcibly. If the cartridge does not slide in easily, it is not being inserted correctly.

Tool / battery protection system

The tool is equipped with a tool/battery protection system. This system automatically cuts off power to the motor to extend tool and battery life. The tool will automatically stop during operation if the tool or battery is placed under one of the following conditions:

Overload protection

When the tool/battery is operated in a manner that causes it to draw an abnormally high current, the tool automatically stops without any indication. In this situation, turn the tool off and stop the application that caused the tool to become overloaded. Then turn the tool on to restart.

Overheat protection

When the tool/battery is overheated, the tool stops automatically. In this situation, let the tool/battery cool before turning the tool on again.

















Overdischarge protection

When the battery capacity is not enough, the tool stops automatically. In this case, remove the battery from the tool and charge the battery.

Indicating the remaining battery capacity

Press the check button on the battery cartridge to indicate the remaining battery capacity. The indicator lamps light up for a few seconds.

► **Fig.2:** 1. Indicator lamps 2. Check button

Indicator lamps			Remaining capacity
 Lighted	 Off	 Blinking	
			75% to 100%
			50% to 75%
			25% to 50%
			0% to 25%
			Charge the battery.
			The battery may have malfunctioned.
			

NOTE: Depending on the conditions of use and the ambient temperature, the indication may differ slightly from the actual capacity.

NOTE: The first (far left) indicator lamp will blink when the battery protection system works.

Trigger-lock button

CAUTION: Before installing the battery cartridge into the tool, always check to see that the switch trigger actuates properly and returns to the "OFF" position when released.

CAUTION: When not operating the tool, depress the trigger-lock button from B side to lock the switch trigger in the OFF position.

► **Fig.3:** 1. Trigger-lock button 2. Switch trigger

► **Fig.4**

To prevent the switch trigger from accidentally pulled, the trigger-lock button is provided.

To pull the switch trigger, depress the trigger-lock button from A side.

After use, always press in the trigger-lock button from B side.

Adjusting the depth of nailing

WARNING: Always make sure that your fingers are not placed on the switch trigger or the contact element and the battery cartridge is removed before adjusting the depth of nailing.

Depth of nailing can be adjusted by turning the adjuster on the tool. A nail drives deeper as you turn the adjuster in the A direction shown in the figure, and shallower in the B direction, within a range of up to 2.5 mm.

► **Fig.5:** 1. Adjuster

► **Fig.6:** 1. Too deep 2. Right depth 3. Too shallow

Lighting up the lamp

CAUTION: Do not look in the light or see the source of light directly.

Pull the switch trigger or actuate the contact element to light up the lamp. The lamp remains lit for up to 60 seconds while pulling the switch trigger or actuating the contact element. The lamp goes out approximately 10 seconds after releasing the switch trigger and the contact element.

► Fig.7: 1. Lamp

NOTICE: Use a dry cloth to wipe the dirt off the lens of the lamp. Be careful not to scratch the lens of lamp, or it may lower the illumination.

NOTICE: Even in the lamp lights up when the battery power residual gets small, nailer may not fire nails. In this case, charge the battery cartridge.

NOTICE: When the tool is overheated, the light flashes. In this case, release the switch trigger and contact element, and then cool down the tool/battery before operating again.

NOTICE: The lamp starts blinking if the nailer detects an error during driving the nail. In this case, bring the nailer to a Factory Service Center.

ASSEMBLY

CAUTION: Always make sure that your fingers are not placed on the switch trigger or the contact element and the battery cartridge is removed before carrying out any work on the nailer.

Loading or unloading the nails

CAUTION: Always make sure that your fingers are not placed on the trigger and the battery cartridge is removed before loading nails.

CAUTION: Do not abruptly slide the slide door of the nailer loaded with nails. Accidentally dropping nails especially when working in high places may cause personal injuries.

CAUTION: Load nails in the correct direction. Loading in wrong direction may cause premature wear and tear of the driver and damage of the other parts.

CAUTION: Do not use deformed nail strips. Use nails specified in this manual. Using nails other than those specified may cause nail jamming and breakage of the nailer.

1. Press the lock lever and open the slide door of the magazine.

► Fig.8: 1. Lock lever 2. Slide door 3. Magazine

2. Set a nail strip so that the nail tips touch the bottom of the magazine and slide the nail strip toward the driver guide.

► Fig.9: 1. Nails 2. Slide door 3. Driver guide

3. Return the slide door to the original position until the lock lever locks it.

To remove the nails, press the lock lever and slide the slide door. Take out nails from the magazine.

Nose adapter

CAUTION: Always make sure that your fingers are not placed on the switch trigger or the contact element and the battery cartridge is removed before installing the nose adapter.

When firing nails on the material with easily-marred surfaces, use the nose adapter. Put the adapter onto the pointed end of the driver guide.

You can store the nose adapter in the holder at the back end of the magazine to keep it from being lost.

► Fig.10: 1. Nose adapter 2. Driver guide 3. Holder

Hook

CAUTION: When installing the hook, always secure it with the screw firmly. If not, the hook may come off from the tool and result in the personal injury.

CAUTION: Use the hanging/mounting parts for their intended purposes only. Using for unintended purpose may cause accident or personal injury.

CAUTION: Do not hang the hook from the waist belt. Dropping the nailer, which is caused by the hook accidentally coming out of place, may cause unintentional firing and result in personal injuries.

► Fig.11

The hook is convenient for temporarily hanging the tool. This can be installed on either side of the tool.

To install the hook, insert it into a groove in the tool housing on either side and then secure it with a screw.

To remove, loosen the screw and then take it out.

► Fig.12: 1. Groove 2. Hook 3. Screw

Hex wrench storage

When not in use, store the hex wrench as shown in the figure to keep it from being lost.

► Fig.13: 1. Hex wrench

OPERATION

Testing the safety system

WARNING: Make sure all safety systems are in working order before operation. Failure to do so may cause personal injuries.

► Fig.14: 1. Trigger-lock button 2. Switch trigger 3. Contact element 4. Magazine

Test safety systems as follows for possible fault before

operation.

1. Unload nails from the tool and keep the magazine opened.
2. Install the battery cartridge and release the trigger lock.
3. Pull the switch trigger without touching the contact element against the material.
4. Touch the contact element against the material without pulling the switch trigger.

If the tool operates in the case of 3 or 4 above, the safety systems are faulty. Stop using the tool immediately and ask your local service center.

Driving nails

⚠ WARNING: Do not use this nailer for fastening electrical cables. It is not designed for electric cable installation and may damage the insulation of electric cables thereby causing electric shock or fire hazards.

⚠ WARNING: Continue to place the contact element firmly on the material until the nail is driven completely. Unintentional firing may cause personal injuries.

⚠ CAUTION: Hold the tool firmly during operation.

1. Release the trigger lock.
 2. Place flat the contact element on the material.
 3. Pull the switch trigger fully to drive a nail.
 4. To drive the next nail, release your finger from the switch trigger once, and then repeat the step 2 and 3 above.
- Fig.15: 1. Switch trigger 2. Contact element

You can also drive the nails when dragging the tool to the next area with the contact element pressed against the material and pulling the switch trigger.

► Fig.16

If the head of the nail remains above the workpiece surface, drive the nail while holding the nailer head firmly against the workpiece.

► Fig.17

NOTE: If the head of the nail still remains above the workpiece even you hold the nail head, the material may not be suitable for the nailer. Continuing to use the nailer on such material may result in a damage to the driver of the nailer and/or nailer jamming.

Anti dry fire mechanism

⚠ WARNING: Always make sure that your fingers are not placed on the switch trigger or the contact element and the battery cartridge is removed before loading the nailer.

When the number of remaining nail strips in the magazine is empty, the switch trigger can no longer be pulled. At this time, insert a new nail strip in the magazine. The switch trigger can be pulled again.

Checking remaining nails

You can check the amount of remaining nails through the sight window.

The red indicator moves toward firing opening as the amount of remaining nails becomes smaller.

► Fig.18: 1. Sight window 2. Indicator

Removing jammed nails

⚠ WARNING: Always make sure that the trigger is released, and the battery cartridge and nails are removed before removing jammed nails.

⚠ CAUTION: Do not remove the jammed nails with bare hands. The nail may jump out of the magazine and cause an injury.

Remove the hex bolts on the driver guide using the hex wrench.

Take the jammed nails from the nail guide groove with a slotted screwdriver.

Secure the driver guide with the hex bolts.

► Fig.19: 1. Driver guide 2. Hex bolt

NOTE: After securing the driver guide, always make sure that it actuates properly. If not, remove hex bolts and install the driver guide again.

MAINTENANCE

⚠ CAUTION: Always be sure that the tool is switched off and the battery cartridge is removed before attempting to perform inspection or maintenance.

NOTICE: Never use gasoline, benzine, thinner, alcohol or the like. Discoloration, deformation or cracks may result.

To maintain product SAFETY and RELIABILITY, repairs, any other maintenance or adjustment should be performed by Makita Authorized or Factory Service Centers, always using Makita replacement parts.

Replacing driver guide

Optional accessory

Replace the standard-equipped driver guide with the optional driver guide better suited for fastening chamfer strip.

1. Remove the hex bolts on the driver guide using the hex wrench.

► Fig.20: 1. Hex bolt

2. Pull off the standard-equipped driver guide downward.

► Fig.21: 1. Standard-equipped driver guide

3. Install the optional driver guide by pushing it upward into the guide slot.

► Fig.22: 1. Optional driver guide 2. Guide slot

4. Secure the optional driver guide with the hex bolts.

► Fig.23: 1. Hex bolt

OPTIONAL ACCESSORIES

⚠ CAUTION: These accessories or attachments are recommended for use with your Makita tool specified in this manual. The use of any other accessories or attachments might present a risk of injury to persons. Only use accessory or attachment for its stated purpose.

If you need any assistance for more details regarding these accessories, ask your local Makita Service Center.

- Nails
- Driver guide (for fastening chamfer strip)
- Makita genuine battery and charger

NOTE: Some items in the list may be included in the tool package as standard accessories. They may differ from country to country.

SPECIFIKATIONER

Modell:	FN001G
Spikstorlek	18Ga x 15, 20, 25, 30, 35, 40 mm
Kapacitet spikmagasin	100 st.
Dimensioner med BL4025, utan krok (L x B x H)	265 mm x 86 mm x 243 mm
Märkspänning	36 V - 40 V likström max
Nettovikt	2,6 - 3,8 kg

- På grund av vårt pågående program för forskning och utveckling kan dessa specifikationer ändras utan föregående meddelande.
- Specifikationer och batterikassett kan variera mellan olika länder.
- Vikten kan variera beroende på tillbehören, inklusive batterikassett. Den lättaste och den tyngsta kombinationen enligt EPTA-procedur 01/2014 visas i tabellen.

Tillgänglig batterikassett och laddare

Batterikassett	BL4020* / BL4025* / BL4040 / BL4040F / BL4050F / BL4080F * : Rekommenderat batteri
Laddare	DC40RA / DC40RB / DC40RC / DC40WA / BCC01 / BCC02

- Vissa av batterikassetterna och laddarna på listan ovan kanske inte finns tillgängliga i din region.

⚠ VARNING: Använd endast batterikassetter och laddare från listan ovan. Användning av andra batterikassetter och laddare kan orsaka personskada och/eller brand.

Avsedd användning

Verktyget är avsett för fastsättning på inredningar och möbelarbeten.

Buller

Den normala bullernivån för A-belastning är bestämd enligt EN60745-2-16:

Ljudtrycksnivå (L_{pA}) : 81 dB (A)

Ljudeffektnivå (L_{WA}) : 92 dB (A)

Mättolerans (K): 3 dB (A)

OBS: Det deklarerade bullervärdet har uppmätts i enlighet med standardtestmetoden och kan användas för jämförandet av en maskin med en annan.

OBS: Det deklarerade bulleremissionsvärdet kan också användas i en preliminär bedömning av exponering för vibration.

⚠ VARNING: Använd hörselskydd.

⚠ VARNING: Bulleremissionen under faktisk användning av maskinen kan skilja sig från det deklarerade värdet, beroende på hur maskinen används och särskilt vilken typ av arbetsstycke som behandlas.

⚠ VARNING: Var noga med att identifiera säkerhetsåtgärder för att skydda användaren, vilka är grundade på en uppskattning av graden av exponering för vibrationer under de faktiska användningsförhållandena, (ta, förutom avtryckartiden, med alla delar av användarcykeln i beräkningen, som till exempel tiden då maskinen är avstängd och när den går på tomgång).

Vibration

Det totala vibrationsvärdet är bestämt enligt EN60745-2-16:

Vibrationsemission (a_h) : 2,5 m/s² eller lägre

Mättolerans (K): 1,5 m/s²

OBS: Det deklarerade totala vibrationsvärdet har uppmätts i enlighet med standardtestmetoden och kan användas för jämförandet av en maskin med en annan.

OBS: Det deklarerade totala vibrationsvärdet kan också användas i en preliminär bedömning av exponering för vibration.

⚠ VARNING: Vibrationsemissionen under faktisk användning av maskinen kan skilja sig från det deklarerade värdet, beroende på hur maskinen används och särskilt vilken typ av arbetsstycke som behandlas.

⚠ VARNING: Var noga med att identifiera säkerhetsåtgärder för att skydda användaren, vilka är grundade på en uppskattning av graden av exponering för vibrationer under de faktiska användningsförhållandena, (ta, förutom avtryckartiden, med alla delar av användarcykeln i beräkningen, som till exempel tiden då maskinen är avstängd och när den går på tomgång).

Försäkran om överensstämmelse

Gäller endast inom EU

Försäkran om överensstämmelse ingår i bilaga A till denna bruksanvisning.

SÄKERHETSVARNINGAR

Allmänna säkerhetsvarningar för maskiner

⚠ VARNING Läs alla säkerhetsvarningar, instruktioner, illustrationer och specifikationer som medföljer detta elverktyg. Underlåtenhet att följa alla instruktioner nedan kan leda till elstöt, brand och/eller allvariga personskador.

Spara alla varningar och instruktioner för framtida referens.

Termen "maskin" som anges i varningarna hänvisar till din eldrivna maskin (sladdansluten) eller batteridrivna maskin (sladdlös).

Säkerhetsvarningar för batteridrivna stiftspistol

- Förutsätt alltid att verktyget är laddat.** Oaktsam hantering av stiftspistolen kan orsaka oavsiktlig avfyrning av stift, vilket kan leda till personskada.
- Rikta inte verktyget mot dig själv eller mot någon i din närhet.** Oavsiktlig avfyrning skjuter ut en klammer, vilket kan orsaka skada.
- Aktivera inte verktyget utan att det hålls stadigt mot arbetsstycket.** Om verktyget inte är i kontakt med arbetsstycket kan klammern flyga i riktning från målet.
- Koppla från verktygets strömkälla när en klammer fastnar i verktyget.** När ett stift tas bort kan stiftspistolen oavsiktligt aktiveras om maskinen är ansluten till strömkällan.
- Iaktta försiktighet när du tar bort en klammer som har fastnat.** Mekanismen kan vara under tryck och klammern kan genom forcering avfyras medan du försöker att ta bort den som fastnat.
- Använd inte den här stiftspistolen för att fästa elkablar.** Den är inte konstruerad för fästsättning av elkablar och kan skada isoleringen på elkablarna, vilket i sin tur kan leda till elektrisk stöt eller brand.
- Se till att dina händer och fötter inte är i riskzonen.**
- Följ instruktionerna för smörjning och byte av tillbehör.**
- Ta alltid ut batterikassetten före påfyllning av klamrar, justering, inspektion, underhåll eller efter att arbetet har slutförts.**
- Se till att ingen är i närheten innan du påbörjar arbetet.** Försök aldrig att driva in stift från insidan och utsidan av en vägg på samma gång. Stift kan skjutas igenom och/eller flyga iväg och orsaka allvarlig fara.
- Se till att alltid ha ordentligt fotfäste och god balans när du använder verktyget. Se till att ingen står under dig när du arbetar på hög höjd.**
- Använd aldrig skruvautomater märkta med symbolen "Använd inte på stegar, ställningar" för arbetsuppgifter av följande typ:**

- om du under arbetets gång måste använda byggnadsställning, trappa, stege eller liknande, t. ex. takläkt;
- igenskruvning av lådor;
- montering av transportsäkringar, till exempel på fordon och vagnar.

- Kontrollera väggar, golv, inner- och yttertak o. dyl. noggrant för att inte råka häfta i el- eller gasledning och orsaka elstöt, gasläckage, explosioner osv.**
- Använd endast stift som specificeras i denna bruksanvisning.** Andra typer av stift kan orsaka fel på verktyget.
- Mixtra inte med verktyget och försök inte att använda det för annat än att häfta fast klamrar.**
- Använd inte verktyget utan stift.** Det förkortar verktygets livslängd.
- Avbryt arbetet omedelbart om du misstänker att något är fel eller onormalt med verktyget.**
- Häfta aldrig i material där klammern kan punktera materialet och flyga igenom som en projektil.**
- Aktivera aldrig avtryckaren och kontaktelelementet samtidigt om du inte är beredd att mata in stift i arbetsstycket.** Låt arbetsstycket trycka ner kontaktelelementet. Sätt aldrig kontaktelelementet ur funktion genom att fästa det bakåt eller trycka in det för hand.
- Mixtra aldrig med kontaktelelementet.** Kontrollera regelbundet att kontaktelelementet fungerar som det ska.
- Ta alltid bort stift från maskinen när den inte används.**

SPARA DESSA ANVISNINGAR.

⚠ VARNING: GLÖM INTE att också fortsättningsvis strikt följa säkerhetsanvisningarna för maskinen även efter att du blivit van att använda den. Vid **FELAKTIG HANTERING** av maskinen eller om inte säkerhetsanvisningarna i denna bruksanvisning följs kan följden bli allvariga personskador.

Viktiga säkerhetsanvisningar för batterikassetten

- Innan batterikassetten används ska alla instruktioner och varningsmärken på (1) batteriladdaren, (2) batteriet och (3) produkten läsas.**
- Montera inte isär eller mixtra med batterikassetten.** Det kan leda till brand, överdriven värme eller explosion.
- Om drifttiden blivit avsevärt kortare ska användningen avbrytas omedelbart.** Det kan uppstå överhettning, brännskador och t o m en explosion.
- Om du får elektrolyt i ögonen ska de sköljas med rent vatten och läkare uppsöks omedelbart.** Det finns risk för att synen förloras.
- Kortslut inte batterikassetten.**
 - (1) Rör inte vid polerna med något strömförande material.

- (2) **Undvik att förvara batterikassetten tillsammans med andra metallobjekt som t.ex. spikar, mynt o.s.v.**
- (3) **Skydda batteriet mot vatten och regn. En batterikortslutning kan orsaka ett stort strömflöde, överhettning, brand och maskinhaveri.**
6. **Förvara och använd inte verktyget och batterikassetten på platser där temperaturen kan nå eller överstiga 50 °C.**
 7. **Bränn inte upp batterikassetten även om den är svårt skadad eller helt utsliten. Batterikassetten kan explodera i öppen eld.**
 8. **Spika inte i, krossa, kasta, tappa eller slå batterikassetten mot hårda föremål. Dyliga handlingar kan leda till brand, överdriven värme eller explosion.**
 9. **Använd inte ett skadat batteri.**
 10. **De medföljande litiumjonbatterierna är föremål för kraven i gällande lagstiftning för farligt gods.**
För kommersiella transporter (av t.ex. tredje parter som speditorsfirmor) måste de särskilda transportkrav som anges på emballaget och etiketter iakttas.
För att förbereda den produkt som ska avsändas krävs att du konsulterar en expert på riskmaterial. Var också uppmärksam på att det i ditt land kan finnas ytterligare föreskrifter att följa.
Tejpa över eller maskera blottade kontakter och packa batteriet på sådant sätt att det inte kan röra sig fritt i förpackningen.
 11. **När batterikassetten ska kasseras måste den tas bort från maskinen och kasseras på ett säkert sätt. Följ lokala föreskrifter beträffande avfallshantering av batteriet.**
 12. **Använd endast batterierna med de produkter som specificerats av Makita. Att använda batterierna med ej godkända produkter kan leda till brand, överdriven värme, explosion eller utläckande elektrolyt.**
 13. **Om maskinen inte används under en lång tid måste batteriet tas bort från maskinen.**
 14. **Under och efter användning kan batterikassetten bli het vilket kan orsaka brännskador eller lättare brännskador. Var uppmärksam på hur du hanterar varma batterikassetter.**
 15. **Vidrör inte verktygets kontakter direkt efter användning eftersom de kan bli heta och orsaka brännskador.**
 16. **Låt inte flisor, damm eller smuts fastna i kontakterna, i håll eller spår i batterikassetten. Det kan leda till att verktyget eller batterikassetten värms upp, fattar eld, går sönder eller inte fungerar som de ska, vilket kan orsaka brännskador eller personskador.**
 17. **Såvida inte verktyget stöder arbeten i närheten av högspänningsledningar får batterikassetten inte användas i närheten av en högspänningsledning. Det kan leda till att verktyget eller batterikassetten går sönder eller inte fungerar korrekt.**
 18. **Förvara batteriet utom räckhåll för barn.**

SPARA DESSA ANVISNINGAR.

⚠FÖRSIKTIGT: Använda endast äkta Makita-batterier. Användning av oäkta Makita-batterier eller batterier som har manipulerats kan leda till persons- och utrustningsskador eller till att batteriet fattar eld. Det upphäver också Makitas garanti för verktyget och laddaren.

Tips för att uppnå batteriets maximala livslängd

1. **Ladda batterikassetten innan den är helt urladdad. Stanna alltid maskinen och ladda batterikassetten när du märker att maskinen blir svagare.**
2. **Ladda aldrig en fulladdad batterikasset. Överladdning förkortar batteriets livslängd.**
3. **Ladda batterikassetten vid en rumstemperatur på 10 °C - 40 °C. Låt en varm batterikasset svalna innan den laddas.**
4. **När batterikassetten inte används ska den tas bort från verktyget eller laddaren.**
5. **Ladda batterikassetten om du inte har använt den på länge (mer än sex månader).**

FUNKTIONSBE- SKRIVNING

⚠FÖRSIKTIGT: Se alltid till att maskinen är avstängd och batterikassetten borttagen innan du justerar maskinen eller kontrollerar dess funktioner.

Montera eller demontera batterikassetten

⚠FÖRSIKTIGT: Stäng alltid av maskinen innan du monterar eller tar bort batterikassetten.

⚠FÖRSIKTIGT: Håll stadigt i maskinen och batterikassetten när du monterar eller tar bort batterikassetten. I annat fall kan det leda till att de glider ur dina händer och orsakar skada på maskinen och batterikassetten samt personskada.

Sätt i batterikassetten genom att rikta in tungan på batterikassetten mot spåret i höljet och skjut den på plats. Tryck in batterikassetten ordentligt tills den låser fast med ett klick. Om du kan se den röda indikatorn som bilden visar är den inte låst ordentligt.

Ta bort batterikassetten genom att skjuta ner knappen på kassetten framsida samtidigt som du drar ut batterikassetten.

► **Fig.1:** 1. Röd indikator 2. Knapp 3. Batterikasset

⚠ FÖRSIKTIGT: Sätt alltid i batterikassetten helt tills den röda indikatorn inte längre syns. I annat fall kan den oväntat falla ur verktyget och skada dig eller någon annan.

⚠ FÖRSIKTIGT: Montera inte batterikassetten med våld. Om kassetten inte lätt glider på plats är den felinsatt.

Skyddssystem för maskinen/ batteriet

Verktyget är utrustat med ett skyddssystem för verktyget/batteriet. Detta system bryter automatiskt strömmen till motorn för att förlänga verktygets och batteriets livslängd. Verktyget stoppar automatiskt under användningen om verktyget eller batteriet hamnar i en av följande situationer:

Överbelastningsskydd

Om verktyget/batteriet används på ett sätt som gör att det drar onormalt mycket ström kan det stoppas automatiskt utan varning. När detta sker stänger du av verktyget och upphör med arbetet som gjorde att verktyget överbelastades. Starta därefter upp verktyget igen.

Överhettningsskydd

När verktyget/batteriet överhettas stoppas verktyget automatiskt. I sådant fall ska du låta verktyget/batteriet svalna innan du startar verktyget igen.

Överurladdningsskydd

När batteriets kapacitet är otillräcklig stoppar maskinen automatiskt. I sådant fall ska batteriet tas ur maskinen och laddas.

Indikerar kvarvarande batterikapacitet

Tryck på kontrollknappen på batterikassetten för att se kvarvarande batterikapacitet. Indikatorlamporna lyser i ett par sekunder.

► **Fig.2:** 1. Indikatorlampor 2. Kontrollknapp

Indikatorlampor			Kvarvarande kapacitet
Upplyst	Av	Blinkar	
■	□	◐	
■ ■ ■ ■			75% till 100%
■ ■ ■ □			50% till 75%
■ ■ □ □			25% till 50%
■ □ □ □			0% till 25%
◐ □ □ □			Ladda batteriet.

Indikatorlampor			Kvarvarande kapacitet
Upplyst	Av	Blinkar	
■	□	◐	
■ ■ □ □			Batteriet kan ha skadats.
□ □ ■ ■			

OBS: Beroende på användningsförhållanden och den omgivande temperaturen kan indikationen skilja sig lätt från den faktiska batterikapaciteten.

OBS: Den första (längst till vänster) indikatorlampor kommer att blinka när batteriskyddssystemet fungerar.

Startspärr

⚠ FÖRSIKTIGT: Innan du sätter i batterikassetten i maskinen ska du kontrollera att avtryckaren fungerar och återgår till läget "OFF" när du släpper den.

⚠ FÖRSIKTIGT: När verktyget inte används ska startspärren vara intryckt från sidan B för att låsa avtryckaren i det avstängda läget OFF.

► **Fig.3:** 1. Startspärr 2. Avtryckare

► **Fig.4**

Startspärren förhindrar att verktyget startas oavsiktligt. Tryck in startspärren från sidan A för att kunna trycka in avtryckaren.

Tryck alltid in startspärren från sidan B efter användning.

Inställning av spikdjupet

⚠ VARNING: Kontrollera alltid att dina fingrar inte är placerade på avtryckaren eller på kontaktelemetet och att batterikassetten är borttagen innan du justerar stiftdjupet.

Spikdjupet kan ställas in genom att man vrider på justeraren på verktyget. Spiken drivs djupare in när du vrider justeraren i riktning A som visas på bilden, och grundare i riktning B, inom ett område på upp till 2,5 mm.

► **Fig.5:** 1. Justeringsratt

► **Fig.6:** 1. För djupt 2. Rätt djup 3. För grunt

Tända lampan

⚠ FÖRSIKTIGT: Titta inte in i ljuset eller direkt i ljuskällan.

Tryck in avtryckaren eller aktivera kontaktelemetet för att tända lampan. Lampan fortsätter att lysa i 60 sekunder så länge du håller avtryckaren intryckt eller så länge kontaktelemetet är aktiverat. Lampan slocknar ungefär 10 sekunder efter att du har släppt avtryckaren och kontaktelemetet.

► **Fig.7:** 1. Lampa

OBSERVERA: Använd en torr trasa för att torka bort smuts från lampglasat. Var försiktig så att inte lampglasat repas eftersom ljuset då kan bli svagare.

OBSERVERA: Även om lampan tänds när kvarvarande batteriladdning är låg avfyrar spikpistolen eventuellt inga spikar. Ladda batterikassetten i så fall.

OBSERVERA: När verktyget är överhettat blinkar lampan. Släpp in så fall avtryckaren och kontaktelementet och låt sedan verktyget/batteriet svalna före vidare användning.

OBSERVERA: Om spikpistolen detekterar ett fel vid spikning börjar lampan att blinka. Om så är fallet, ta med spikpistolen till ett servicecenter.

MONTERING

⚠ FÖRSIKTIGT: Kontrollera alltid att dina fingrar inte är placerade på avtryckaren eller på kontaktelementet och att batterikassetten är borttagen innan du utför något arbete på spikpistolen.

Ladda eller ta bort spikarna

⚠ FÖRSIKTIGT: Se alltid till att inte ha fingrarna på avtryckaren och att batterikassetten är borttagen innan du laddar spikarna.

⚠ FÖRSIKTIGT: Se till att inte plötsligt skjuta spikpistolens skjutlucka när spikar är laddade. Om du oavsiktligt tappar spikar, i synnerhet om du arbetar på höga höjder, kan det orsaka personskador.

⚠ FÖRSIKTIGT: Ladda spikar åt rätt håll. Om de laddas åt fel håll kan det orsaka förtida slitage på kontaktelementet och skada på andra delar.

⚠ FÖRSIKTIGT: Använd inte deformerade spikband. Använd de spikar som anges i denna bruksanvisning. Om du använder andra spikar än de som anges kan det medföra att spikar fastnar och att spikpistolen går sönder.

1. Tryck på spärren och öppna magasinets skjutlucka.

► **Fig.8:** 1. Låsspärr 2. Skjutlucka 3. Magasin

2. Placera ett spikband så att spikarnas topp vidrör magasinets botten och skjut spikbandet mot matarstyrningen.

► **Fig.9:** 1. Spikar 2. Skjutlucka 3. Matarstyrning

3. För tillbaka skjutluckan till dess ursprungliga läge tills spärren låser den.

För att ta bort spikar trycker du på spärren och skjuter på skjutluckan. Ta ut spikar från magasinet.

Nosadapter

⚠ FÖRSIKTIGT: Kontrollera alltid att dina fingrar inte är placerade på avtryckaren eller på kontaktelementet och att batterikassetten är borttagen innan du installerar nosadaptern.

Använd nosadaptern när du avfyrar spikar på material med en lätt skadad yta. Sätt adaptern på matarstyrningens spetsiga ände.

Du kan förvara nosadaptern i hållaren på magasinets baksida för att alltid ha den till hands.

► **Fig.10:** 1. Nosadapter 2. Matarstyrning 3. Hållare

Krok

⚠ FÖRSIKTIGT: När kroken monteras skall alltid skruven dras åt ordentligt. Om inte kan kroken lossa från maskinen och leda till personskada.

⚠ FÖRSIKTIGT: Använd endast upphängnings/monteringsdelar för dess avsedda ändamål.

Användning för ej avsedd användning kan leda till olycka eller personskada.

⚠ FÖRSIKTIGT: Häng inte kroken i midjebältet.

Om du tappar spikpistolen, på grund av att kroken av misstag lossar från sin plats, kan den oavsiktligen avfyras och orsaka personskada.

► **Fig.11**

Kroken kan användas när du vill hänga upp verktyget temporärt. Den kan monteras på båda sidorna av verktyget.

Du monterar kroken genom att sätta in den i ett spår i verktygshuset på endera sida och dra fast den med en skruv. Ta bort kroken genom att skruva loss skruven.

► **Fig.12:** 1. Spår 2. Krok 3. Skruv

Förvaring av insexnyckel

Förvara insexnyckeln enligt figuren när den inte används, så att du alltid har den till hands.

► **Fig.13:** 1. Insexnyckel

ANVÄNDNING

Testa säkerhetssystemet

⚠ VARNING: Kontrollera alltid att alla säkerhetsanordningar fungerar innan du använder verktyget. I annat fall kan personskador uppstå.

► **Fig.14:** 1. Startspärr 2. Avtryckare 3. Kontaktelement 4. Magasin

Testa säkerhetssystemen enligt följande för att märka eventuella fel före användning.

1. Töm verktyget på spik och håll magasinet öppet.
2. Montera batterikassetten och släpp avtryckarspärren.
3. Tryck in avtryckaren utan att kontaktelementet vidrör materialet.
4. Låt kontaktelementet nudda materialet utan att trycka in avtryckaren.

I händelse av att verktyget startar när du genomför punkt 3 eller 4 ovan är det fel på säkerhetssystemet. Avbryt omedelbart användningen av verktyget och kontakta ditt lokala servicecenter.

Spika

⚠ VARNING: Använd inte den här stiftpistolens för att fästa elkablar. Den är inte konstruerad för fästsättning av elkablar och kan skada isoleringen på elkablarna, vilket i sin tur kan leda till elektrisk stöt eller brand.

⚠ VARNING: Fortsätt hålla kontaktelementet stadigt mot materialet tills spiken är ordentligt intryckt. Oavsiktlig avfyrning kan leda till personskada.

⚠ FÖRSIKTIGT: Håll verktyget stadigt under användningen.

1. Släpp avtryckarspärren.
 2. Placera kontaktelementet platt mot materialet.
 3. Tryck in avtryckaren helt för att driva in en spik.
 4. För att skjuta nästa spik tar du bort fingret från avtryckaren och upprepar därefter steg 2 och 3 ovan.
- **Fig.15:** 1. Avtryckare 2. Kontaktelement

Du kan även skjuta in spikarna genom att dra verktyget till nästa punkt med kontaktelementet tryckt emot materialet och aktivera avtryckaren.

► **Fig.16**

Om huvudet på utmatade spikar sticker upp ovanför arbetsstyckets yta driver du i spiken samtidigt som du håller spikpistolens huvud stadigt mot arbetsstycket.

► **Fig.17**

OBS: Om huvudet på utmatade spikar fortfarande sticker upp ovanför arbetsstyckets yta, även om du håller spikpistolens huvud, kanske materialet inte är lämpligt för spikpistolens. Fortsatt användning av spikpistolens på dylikt material kan leda till skada på spikpistolens drivenhet och/eller spikstopp.

Tomgångsspär

⚠ VARNING: Kontrollera alltid att dina fingrar inte är placerade på avtryckaren eller på kontaktelementet och att batterikassetten är borttagen innan du laddar spikpistolens.

Avtryckaren kan inte tryckas in när det inte finns några spikband i magasinet. Fyll då på magasinet med ett nytt spikband. Avtryckaren kan då tryckas in igen.

Kontrollera återstående spikar

Du kan kontrollera återstående antal spikar genom siktfenstret. Den röda indikatorn flyttas mot avfyrningsmynningen allt eftersom antalet återstående spikar minskar.

► **Fig.18:** 1. Magasinfönster 2. Indikator

Ta bort spikar som fastnat

⚠ VARNING: Kontrollera alltid att du släppt avtryckaren, och att batterikassetten och spikarna i magasinet har tagits bort innan du tar bort spikar som har fastnat.

⚠ FÖRSIKTIGT: Rör inte vid spikar som fastnat med bara händer. Spiken kan hoppa ut ur magasinet och orsaka skada.

Ta bort insexskruvarna på matarstyrningen med insexnyckeln.

Ta bort spikar som har fastnat i spikguidens spår med en spårskruvmejsel.

Säkra matarstyrningen med insexskruvarna.

► **Fig.19:** 1. Matarstyrning 2. Sexkantsbult

OBS: När matarstyrningen har säkrats ska du kontrollera att den fungerar på rätt sätt. Om den inte gör det tar du bort sexkantbultarna och monterar matarstyrningen igen.

UNDERHÅLL

⚠ FÖRSIKTIGT: Se alltid till att maskinen är avstängd och batterikassetten borttagen innan inspektion eller underhåll utförs.

OBSERVERA: Använd inte bensin, förtunningsmedel, alkohol eller liknande. Missfärgning, deformation eller sprickor kan uppstå.

För att upprätthålla produktens SÄKERHET och TILLFÖRLITLIGHET bör allt underhålls- och justeringsarbete utföras av ett auktoriserat Makita servicecenter och med reservdelar från Makita.

Byta matarstyrning

Extra tillbehör

Byt ut den standardmonterade matarstyrningen mot den extra matarstyrningen som är bättre lämpad för att fästa skarvlister.

1. Ta bort insexskruvarna på matarstyrningen med insexnyckeln.

► **Fig.20:** 1. Insexbult

2. Dra av den standardmonterade matarstyrningen neråt.

► **Fig.21:** 1. Standardmonterad matarstyrning

3. Installera den extra matarstyrningen genom att trycka den uppåt in i styrningsspåret.

► **Fig.22:** 1. Extra matarstyrning 2. Styrningsspår

4. Säkra den extra matarstyrningen med insexskruvarna.

► **Fig.23:** 1. Insexbult

VALFRJA TILLBEHÖR

⚠ FÖRSIKTIGT: Följande tillbehör eller tillsatser rekommenderas för användning med den Makita-maskin som denna bruksanvisning avser. Om andra tillbehör eller tillsatser används kan det uppstå risk för personskador. Använd endast tillbehören eller tillsatserna för de syften de är avsedda för.

Kontakta ditt lokala Makita servicecenter om du behöver ytterligare information om dessa tillbehör.

- Spikar
- Matarstyrning (för att fästa skarvlistor)
- Makitas originalbatteri och -laddare

OBS: Några av tillbehören i listan kan vara inkluderade i maskinpaketet som standardtillbehör. De kan variera mellan olika länder.

TEKNISKE DATA

Modell:	FN001G
Spikerstørrelse	18Ga x 15, 20, 25, 30, 35, 40 mm
Kapasitet for spikermagasin	100 stk.
Dimensjoner med BL4025, uten krok (L x B x H)	265 mm x 86 mm x 243 mm
Nominell spenning	DC 36 V - 40 V maks
Nettovekt	2,6 - 3,8 kg

- På grunn av vårt kontinuerlige forsknings- og utviklingsprogram kan spesifikasjonene som oppgis i dette dokumentet endres uten varsel.
- Spesifikasjoner og batteriinnsetts kan variere fra land til land.
- Vekten kan variere avhengig av tilbehøret/tilbehørene, inkludert batteriet. Den letteste og tyngste kombinasjonen, i henhold til EPTA-prosedyre 01/2014, vises i tabellen.

Passende batteri og lader

Batteriinnsetts	BL4020* / BL4025* / BL4040 / BL4040F / BL4050F / BL4080F * : Anbefalt batteri
Lader	DC40RA / DC40RB / DC40RC / DC40WA / BCC01 / BCC02

- Noen av batteriene og laderne som er opplistet ovenfor er kanskje ikke tilgjengelige, avhengig av hvor du bor.

⚠ ADVARSEL: Bruk kun de batteriene og laderne som er opplistet ovenfor. Bruk av andre batterier og ladere kan føre til personskader og/eller brann.

Riktig bruk

Verktøyet beregnet på plassering av festemekanismer i forbindelse med interiør- og møbelarbeid.

Støy

Typisk A-vektet lydtryknivå er bestemt i henhold til EN60745-2-16:

Lydtryknivå (L_{pA}) : 81 dB (A)

Lydeffektnivå (L_{WA}) : 92 dB (A)

Usikkerhet (K): 3 dB (A)

MERK: Den/de oppgitte verdien(e) for genererte vibrasjoner har blitt målt i henhold til standard testmetoder, og kan bli brukt til å sammenligne ett verktøy med et annet.

MERK: Den/de angitte verdien(e) for de genererte vibrasjonene kan også brukes til en foreløpig vurdering av eksponeringen.

⚠ ADVARSEL: Bruk hørselsvern.

⚠ ADVARSEL: De genererte vibrasjonene ved faktisk bruk av elektroverktøyet kan avvike fra den/de angitte vibrasjonsverdien(e), avhengig av hvordan verktøyet brukes.

⚠ ADVARSEL: Sørg for å identifisere vernetiltak for å beskytte operatøren, som er basert på et estimat av eksponeringen under de faktiske bruksforholdene (idet det tas hensyn til alle deler av driftssyklusen, dvs. hvor lenge verktøyet er slått av, hvor lenge det går på tomgang og hvor lenge startbryteren faktisk holdes trykket).

Vibrasjoner

Totalverdiene for vibrasjon er bestemt i henhold til EN60745-2-16:

Genererte vibrasjoner (a_n) : 2,5 m/s² eller mindre

Usikkerhet (K): 1,5 m/s²

MERK: Den/de oppgitte verdien(e) for totalt genererte vibrasjoner har blitt målt i henhold til standard testmetoder, og kan bli brukt til å sammenligne ett verktøy med et annet.

MERK: Den/de angitte verdien(e) for totalt genererte vibrasjoner kan også brukes til en foreløpig vurdering av eksponeringen.

⚠ ADVARSEL: De genererte vibrasjonene ved faktisk bruk av elektroverktøyet kan avvike fra den/de angitte vibrasjonsverdien(e), avhengig av hvordan verktøyet brukes og spesielt i forhold til arbeidsstykket som blir behandlet.

⚠ ADVARSEL: Sørg for å identifisere vernetiltak for å beskytte operatøren, som er basert på et estimat av eksponeringen under de faktiske bruksforholdene (idet det tas hensyn til alle deler av driftssyklusen, dvs. hvor lenge verktøyet er slått av, hvor lenge det går på tomgang og hvor lenge startbryteren faktisk holdes trykket).

Samsvarserklæringer

Gjelder kun for land i Europa

Samsvarserklæringene er lagt til som vedlegg A i denne bruksanvisningen.

SIKKERHETSADVARSEL

Generelle advarsler angående sikkerhet for elektroverktøy

⚠ADVARSEL Les alle sikkerhetsadvarsler, instruksjoner, illustrasjoner og spesifikasjoner som følger med dette elektroverktøyet. Hvis ikke alle instruksjonene nedenfor følges, kan det føre til elektrisk støt, brann og/eller alvorlig personskade.

Oppbevar alle advarsler og instruksjoner for senere bruk.

Uttrykket «elektrisk verktøy» i advarslene refererer både til elektriske verktøy (med ledning) tilkoblet strømmettet, og batteridrevne verktøy (uten ledning).

Sikkerhetsanvisninger for batteridrevet spikerpistol

1. **Gå alltid ut fra at verktøyet inneholder spiker.** Uforsiktig håndtering av spikerpistolen kan føre til uventet avfyring av spiker og medføre personskade.
2. **Ikke rett maskinen mot deg selv eller andre i nærheten.** Uventet avfyring vil skyte ut stiften og forårsake helseskader.
3. **Ikke sett i gang verktøyet med mindre det er plassert godt mot arbeidsemnet.** Hvis maskinen ikke har kontakt med arbeidsemnet, kan stiften rikosjettere fra målet.
4. **Koble strømkilden fra verktøyet dersom spikeren kjører seg fast i verktøyet.** Når du fjerner en fastkjørt spiker, kan spikerpistolen aktiveres utilsiktet hvis strømkilden er koblet til.
5. **Vær forsiktig når du fjerner en fastkjørt stift.** Mekanismen kan være under trykk, noe som kan føre til at den fastkjørte stiften blir skutt ut mens du forsøker å fjerne den.
6. **Ikke bruk denne spikerpistolen til å feste elektriske kabler.** Den er ikke utformet for montering av elektriske kabler, og kan skade de elektriske kablens isolasjon, noe som igjen kan føre til elektrisk støt eller utgjøre en brannfare.
7. **Hold hender og føtter unna utkasteråpningen.**
8. **Følg instruksjonene for smøring og skifting av tilbehør.**
9. **Fjern alltid batteriet før du legger i stiftene og justerer, inspiserer eller vedlikeholder verktøyet, eller etter at du er ferdig med å bruke det.**
10. **Pass på at ingen er i nærheten før du begynner å bruke verktøyet.** Forsøk aldri å skyte ut festemekanismer både fra innsiden og utsiden av veggen på én gang. Festemekanismene kan gå gjennom og/eller rikosjettere, og utgjøre en alvorlig fare.
11. **Se hvor du går og hold balansen med verktøyet.** Forviss deg om at ingen står under deg når du jobber høyt over bakken.
12. **Bruk aldri trykkluftdrevne verktøy med symbolet "Må ikke brukes på stillas eller stiger" til**

visse formål, for eksempel:

- når du forflytter deg fra et arbeidssted til et annet, og dette krever at du bruker stillas, trapper, stiger eller stigeliknende konstruksjoner, f.eks. taklekter,
 - når du lukker bokser eller kasser,
 - når du fester transportsikringsystemer, f.eks. på biler eller vogner.
13. **Kontroller vegger, tak, gulv osv. grundig for å unngå mulige elektriske støt, gasslekkasjer, eksplosjoner osv. som kan forårsakes av å skyte stifter inn i strømførende ledninger, rør eller gassledninger.**
 14. **Bruk kun festemekanismer som er angitt i denne håndboken.** Hvis det brukes andre festemekanismer, kan det hende at verktøyet ikke fungerer som det skal.
 15. **Ikke tukle med maskinen eller prøv å bruke den til noe annet enn å skyte stifter.**
 16. **Ikke bruk verktøyet uten festemekanismer.** Det vil redusere verktøyetets levetid.
 17. **Hvis du merker at noe er galt eller uvanlig med verktøyet, må du slutte å stifte umiddelbart.**
 18. **Skyt aldri stifter inn i materialer som stifter kan stikke hull på og fly igjennom som et prosjektil.**
 19. **Klem aldri på avtrekkeren og kontaktelemetet samtidig før du er klar til å feste arbeidsemner.** La arbeidsemnet trykke ned kontaktelemetet. Du må aldri sette sikringen ut av funksjon ved å låse kontaktelemetet tilbake eller holde det nede med hånden.
 20. **Tukle aldri med kontaktelemetet.** Du må kontrollere kontaktelemetet regelmessig for å forsikre deg om at det virker slik det skal.
 21. **Spiker skal alltid tas ut av spikerpistolen når den ikke er i bruk.**

TA VARE PÅ DISSE INSTRUKSENE.

⚠ADVARSEL: IKKE LA hensynet til hva som er "behagelig" eller det faktum at du kjenner produktet godt (etter mange gangers bruk) gjøre deg mindre oppmerksom på sikkerhetsreglene for bruken av det aktuelle produktet. Ved MISBRUK eller hvis ikke sikkerhetsreglene i denne bruksanvisningen følges, kan det oppstå alvorlig personskade.

Viktige sikkerhetsanvisninger for batteriinnsetts

1. **Før du begynner å bruke batteriet, må du lese alle anvisninger og forsiktighetsregler på (1) batteriladeren, (2) batteriet og (3) det produktet batteriet skal brukes i.**
2. **Ikke demonter eller tukle batteriet.** Det kan føre til brann, overoppheting eller eksplosjon.
3. **Hvis driftstiden er blitt vesentlig kortere, må du omgående slutte å bruke maskinen.** Hvis ikke kan resultatet bli overoppheting, mulige forbrenninger eller til og med en eksplosjon.
4. **Hvis du får elektrolytt i øynene, må du skylle**

dem med store mengder rennende vann og oppsøke lege med én gang. Denne typen uhell kan føre til varig blindhet.

5. Ikke kortslutt batteriet:

- (1) De kan være ekstremt varme og du kan brenne deg.
- (2) Ikke lagre batteriet i samme beholder som andre metallgjenstander, som for eksempel spiker, mynter osv.
- (3) Ikke la batteriet komme i kontakt med vann eller regn.

En kortslutning av batteriet kan føre til et kraftig strømstøt, overoppvarming, mulige forbrenninger og til og med til at batteriet går i stykker.

6. Ikke oppbevar og bruk verktøyet og batteriet på steder hvor temperaturen kan komme opp i eller overskride 50 °C.

7. Ikke sett fyr på batteriet, ikke engang om det er sterkt skadet eller helt utslitt. Batteriet kan eksplodere hvis det begynner å brenne.

8. Du må ikke spikre, skjære, klemme, kaste eller miste batteriet, og heller ikke slå en hard gjenstand mot batteriet. En slik oppførsel kan føre til brann, overoppheting eller eksplosjon.

9. Ikke bruk batterier som er skadet.

10. Lithium-ion-batteriene som medfølger er gjenstand for krav om spesialavfall.

For kommersiell transport, f.eks av tredjeparter eller speditorer, må spesielle krav om pakking og merking følges.

Før varen blir sendt, må du forhøre deg med en ekspert på farlig materiale. Ta også hensyn til muligheten for mer detaljerte nasjonale bestemmelser.

Bruk teip eller maskeringsteip for å skjule åpne kontakter og pakk inn batteriet på en slik måte at den ikke kan bevege seg rundt i emballasjen.

11. Når du kasserer batteriinnsetsen, må du ta den ut av verktøyet og avhende den på et sikkert sted. Følg lokale bestemmelser for avhending av batterier.

12. Bruk batteriene kun med produkter spesifisert av Makita. Montere batteriene i produkter som ikke er konforme kan føre til brann, overheting eller elektrolyttlekkasje.

13. Hvis verktøyet ikke skal brukes over en lengre periode, må batteriet tas ut av verktøyet.

14. Under og etter bruk kan batteriet bli varmt og før til brannskader. Vær forsiktig med håndteringen av varme batterier.

15. Ikke berører terminalen på verktøyet rett etter bruk, da den kan bli varm og forårsake brannskader.

16. Ikke la spon, støv eller jord sette seg fast i terminalene, hullene og sporene i batteriet. Det kan føre til at batteriet eller verktøyet blir overopphetet, begynner å brenne, sprekker eller ikke fungerer som det skal, og forårsake brannskader eller personskade.

17. Med mindre verktøyet støtter bruk nær en høyspent strømlinje, skal ikke batteriet brukes nær en høyspent strømlinje. Det kan føre til en funksjonsfeil eller at verktøyet eller batteriet slutter

å fungere.

18. Oppbevar batteriet utilgjengelig for barn.

TA VARE PÅ DISSE INSTRUKSENE.

⚠FORSIKTIG: Bruk kun originale Makita-batterier. Bruk av batterier som har endret seg, eller som ikke er originale Makita-batterier, kan føre til at batteriet sprekker og forårsaker brann, personskader og andre skader. Det vil også ugyldiggjøre garantien for Makita-verktøyet og -laderen.

Tips for å opprettholde maksimal batterilevetid

1. Lad batteriinnsetsen før den er helt utladet. Stopp alltid driften av verktøyet og lad batteriinnsetsen når du merker at effekten reduseres.
2. Lad aldri en batteriinnsets som er fulladet. Overopplading forkorter batteriets levetid.
3. Lad batteriet i romtemperatur ved 10 °C - 40 °C. Et varmt batteri må kjøles ned før lading.
4. Når batteriet ikke er bruk, skal det tas ut av verktøyet eller laderen.
5. Lad batteriet hvis det ikke har vært brukt på en lang stund (over seks måneder).

FUNKSJONSBE- SKRIVELSE

⚠FORSIKTIG: Forviss deg alltid om at maskinen er slått av og batteriet tatt ut før du justerer maskinen eller kontrollerer dens mekaniske funksjoner.

Sette inn eller ta ut batteri

⚠FORSIKTIG: Slå alltid av verktøyet før du setter inn eller fjerner batteriet.

⚠FORSIKTIG: Hold verktøyet og batteripatronen i et fast grep når du monterer eller fjerner batteripatronen. Hvis du ikke holder verktøyet og batteripatronen godt fast, kan du miste grepet, og dette kan føre til skader på verktøyet og batteripatronen samt personskader.

Når du skal sette inn batteriet, må du plassere tungen på batteriet på linje med sporet i huset og skyve batteriet på plass. Skyv det helt inn til det går i inngrep med et lite klikk. Hvis du kan se den røde indikatoren som vist i figuren, er det ikke helt låst.

For å ta ut batteriet må du skyve på knappen foran på batteriet og trekke det ut.

► Fig.1: 1. Rød indikator 2. Knapp 3. Batteriinnsets

⚠FORSIKTIG: Batteriet må alltid settes helt inn, så langt at den røde indikatoren ikke lenger er synlig. Hvis dette ikke gjøres, kan batteriet falle ut av verktøyet og skade deg eller andre som oppholder seg i nærheten.

⚠FORSIKTIG: Ikke bruk makt når du setter i batteriet. Hvis batteriet ikke glir lett inn, er det fordi det ikke settes inn på riktig måte.

Batterivernsystem for verktøy/batteri

Verktøyet er utstyrt med et batterivernsystem for verktøy/batteri. Dette systemet kutter automatisk strømmen til motoren for å forlenge verktøyets og batteriets levetid. Verktøyet stopper automatisk under drift hvis verktøyet eller batteriet utsettes for en av følgende tilstander:

Overlastsikring

Når verktøyet/batteriet brukes på en måte som gjør at det bruker unormalt mye strøm, vil verktøyet stoppe automatisk og uten forvarsel. I dette tilfellet må du slå av verktøyet og avslutte bruken som forårsaket at verktøyet ble overbelastet. Slå deretter verktøyet på for å starte det igjen.

Overopphetingsvern

Når verktøyet/batteriet er overopphetet, stopper verktøyet automatisk. I dette tilfellet må du la verktøyet/batteriet avkjøles før du starter verktøyet på nytt.

Overutladningsvern

Når det blir batterikapasiteten er utilstrekkelig, stopper verktøyet automatisk. I så fall fjerner du batteriet fra verktøyet og lader det.

Indikere gjenværende batterikapasitet

Trykk på sjekk-knappen på batteriet for vise gjenværende batterikapasitet. Indikatorlampene lyser i et par sekunder.

► **Fig.2:** 1. Indikatorlamper 2. Kontrollknapp

Indikatorlamper			Gjenværende batterinivå
Tent	Av	Blinker	
			75 % til 100 %
			50 % til 75 %
			25 % til 50 %
			0 % til 25 %
			Lad batteriet.

Indikatorlamper			Gjenværende batterinivå
Tent	Av	Blinker	
			Batteriet kan ha en feil.

MERK: Det angitte nivået kan avvike noe fra den faktiske kapasiteten alt etter bruksforholdene og den omgivende temperaturen.

MERK: Den første (helt til venstre) indikatorlampen vil blinke når batterivernsystemet fungerer.

Låseknapp

⚠FORSIKTIG: Før du setter batteriet inn i maskinen, må du alltid kontrollere at startbryteren aktiverer maskinen på riktig måte og går tilbake til «AV»-stilling når den slippes.

⚠FORSIKTIG: Når du ikke skal bruke maskinen lenger, trykker du inn låseknappen fra side B for å låse startbryteren i stillingen AV.

► **Fig.3:** 1. Låseknapp 2. Startbryter

► **Fig.4**

Maskinen er utstyrt med en låseknapp, som hindrer at startbryteren trykkes inn ved en feiltakelse.

For å trykke inn startbryteren, må du trykke ned låseknappen fra side A.

Trykk alltid inn låseknappen fra side B når du er ferdig med å bruke maskinen.

Justering av spikerdybden

⚠ADVARSEL: Forviss deg alltid om at fingrene dine ikke befinner seg på avtrekkeren eller kontaktelemetet, og at batteriet er tatt ut før du justerer spikingsdybden.

Spikingsdybden kan justeres ved å dreie justeringshjullet på verktøyet. En spiker går dypere inn når du dreier justeringshjullet i retning A vist i figuren, og grunnere i retning B, innenfor et område på opptil 2,5 mm.

► **Fig.5:** 1. Justeringshjul

► **Fig.6:** 1. For dypt 2. Riktig dybde 3. For grunt

Tenne lampen

⚠FORSIKTIG: Ikke se inn i lyset eller se direkte på lyskilden.

Trykk på startbryteren eller aktiver kontaktelemetet for å tenne lampen. Lampen fortsetter å lyse i opptil 60 sekunder så lenge du drar i startbryteren eller aktiverer kontaktelemetet. Lampen slukkes omtrent 10 sekunder etter at startbryteren og kontaktelemetet er sluppet.

► **Fig.7:** 1. Lampe

OBS: Bruk en tørr klut til å tørke støv osv. av lampe-linsen. Vær forsiktig så det ikke blir riper i lampelin-sen, da dette kan redusere lysstyrken.

OBS: Selv om lampen lyser når batterinivået er lavt, er det ikke sikkert at spikerpistolen vil avfyre noen spiker. I så fall må du lade batteriet.

OBS: Lyset blinker når verktøyet er overopphetet. Da slipper du startbryteren og kontaktelementet, og deretter kjøler du ned verktøyet/batteriet før du bruker verktøyet igjen.

OBS: Lampen begynner å blinke hvis spikerpistolen påviser en feil når spikeren skytes. I dette tilfellet må spikerpistolen leveres til fabrikkens servicesenter.

MONTERING

⚠FORSIKTIG: Pass alltid på at fingrene dine ikke befinner seg på startbryteren eller kontak-telementet, og at batteriet er tatt ut før du utfører arbeid på spikerpistolen.

Legge i eller ta ut spikrene

⚠FORSIKTIG: Forviss deg alltid om at fingrene dine ikke befinner seg på avtrekkeren, og at batte-riet og spikrene er tatt ut før du setter i spikre.

⚠FORSIKTIG: Ikke åpne skyvedøren på spi-kerpistolen brått hvis den er full av spiker. Hvis du mister spikrer, særlig når du jobber høyt oppe, kan det føre til personskader.

⚠FORSIKTIG: Sett spikrene inn i riktig retning. Hvis du legger dem i feil retning, kan spikerpistolen slites ut etter kort tid, og andre deler kan skades.

⚠FORSIKTIG: Ikke bruk spikre eller spikerrem-ser som er deformert. Bruk spikrer som er angitt i denne håndboken. Hvis det brukes andre spiker enn det som er angitt, kan det føre til at spikrene sitter fast og knekker i spikerpistolen.

1. Trykk på låsehendelen og åpne skyvedøren på magasinet.

► **Fig.8:** 1. Sperrespak 2. Skyvedør 3. Magasin

2. Still spikerremsen slik at spissen på spikrene berører bunnen på magasinet, og skyv spikerremsen mot stempelføringen.

► **Fig.9:** 1. Spikrer 2. Skyvedør 3. Stempelføring

3. Sett skyvedøren tilbake til opprinnelig posisjon, til den låses av låsehendelen.

Når spikrene skal tas ut, trykk på låsehendelen og skyv på skyvedøren. Ta ut spikrene fra magasinet.

Frontadapter

⚠FORSIKTIG: Forviss deg alltid om at fin-grene dine ikke befinner seg på avtrekkeren eller kontaktelementet, og at batteriet er tatt ut før du installerer frontadapteren.

Når du skal spikre i et materiale med ømfintlig overflate, må du bruke frontadapteren. Plasser adapteren på den spisse enden av stempelføringen.

Når frontadapteren ikke er i bruk, kan den oppbevares i holderen ved bakre ende av magasinet, så den ikke mistes.

► **Fig.10:** 1. Frontadapter 2. Stempelføring 3. Holder

Krok

⚠FORSIKTIG: Når du monterer kroken, må du stramme skruen godt. Hvis ikke kan kroken løsne fra verktøyet og forårsake personskade.

⚠FORSIKTIG: Opphengs-/monteringsdelene skal kun brukes til det de er beregnet på. Annen bruk enn det de er beregnet på, kan føre til en ulykke eller personskader.

⚠FORSIKTIG: Ikke heng kroken i verktøybel-tet. Hvis du mister spikerpistolen fordi kroken glir ut av beltet ved et uhell, kan den avfyres og forårsake personskader.

► **Fig.11**

Kroken er praktisk å henge verktøyet i over kortere tid. Den kan monteres på begge sider av verktøyet.

For å montere kroken, må du sette den inn i sporet på en av sidene av verktøyhuset og feste den med en skruer. Ta den av igjen ved å løsne skruen.

► **Fig.12:** 1. Spor 2. Krok 3. Skrue

Oppbevaring av sekskantnøkkel

Når sekskantnøkkelen ikke er i bruk, må du oppbevare den som vist i figuren, slik at du ikke mister den.

► **Fig.13:** 1. Sekskantnøkkel

BRUK

Testing av sikkerhetssystemet

⚠ADVARSEL: Pass på at alle sikkerhetssys-temene fungerer som de skal før du tar verktøyet i bruk. Hvis ikke, kan det resultere i helseskader.

► **Fig.14:** 1. Låseknapp 2. Startbryter
3. Kontaktelement 4. Magasin

Test sikkerhetssystemer på følgende måte med tanke på mulige feil før bruk.

1. Ta spikrene ut av verktøyet, og hold magasinet åpent.

2. Installer batteriet, og frigjør avtrekkerlåsen.

3. Dra i startbryteren uten å berøre arbeidsstykket med kontaktelementet.

4. Berør arbeidsstykket med kontaktelementet uten å dra i startbryteren.

Hvis verktøyet starter i tilfelle 3 eller 4 ovenfor, er sikkerhetssystemene defekte. Avslutt bruken av verktøyet umiddelbart, og ta kontakt med nærmeste serviceverksted.

Spikre

⚠ ADVARSEL: Ikke bruk denne spikerpistolen til å feste elektriske kabler. Den er ikke utformet for montering av elektriske kabler, og kan skade de elektriske kablernes isolasjon, noe som igjen kan føre til elektrisk støt eller utgjøre en brannfare.

⚠ ADVARSEL: Fortsett å presse kontaktelelementet bestemt mot materialet til spikeren er drevet helt inn. Utilsiktet avfiring kan forårsake personskader.

⚠ FORSIKTIG: Hold godt tak i verktøyet under bruk.

1. Frigjør avtrekkerlåsen.
2. Sett kontaktelelementet flatt på arbeidsemnet.
3. Dra startbryteren til maks. for å skyte ut en spiker.
4. Når du skal skyte ut neste spiker, frigjør du fingeren fra startbryteren én gang, og deretter gjentar du trinn 2 og 3 ovenfor.

► Fig.15: 1. Avtrekkerlås 2. Kontaktelement

Du kan også skyte inn spikrene mens du drar verktøyet til neste område med kontaktelelementet presset mot materialet mens du drar i startbryteren.

► Fig.16

Når hodet til en avfyrt spiker står opp fra overflaten av arbeidsstykket, må du skyte inn spikeren mens du holder spikerpistolhodet godt mot arbeidsstykket.

► Fig.17

MERK: Hvis hodet til en avfyrt spiker står opp fra arbeidsstykket, selv om spikerpistolhodet holdes i et fast grep, er det mulig at materialet ikke egner seg for spikerpistolen. Hvis du fortsetter å bruke spikerpistolen på et slikt materiale, kan det føre til skade på spikerpistolen og/eller at spikrene setter seg fast.

Avfiringssperre ved tomt magasin

⚠ ADVARSEL: Forviss deg alltid om at fingrene dine ikke befinner seg på startbryteren eller kontaktelelementet, og at batteriinnsetsen er tatt ut før du legger spiker i spikerpistolen.

Når det ikke er flere spikerremser igjen i magasinet, kan du ikke lenger trekke i startbryteren. Nå setter du inn en ny spikerremse i magasinet. Startbryteren kan trykkes igjen.

Kontroll av resterende spikre

Du kan kontrollere mengden gjenværende spikre gjennom siktvinduet.

Den røde indikatoren beveger seg mot utløpet etter hvert som spikermengden reduseres.

► Fig.18: 1. Siktvindu 2. Indikator

Fjerne fastsittende spikrer

⚠ ADVARSEL: Pass alltid på at avtrekkeren er sluppet og batteriet fjernet før du fjerner fastsittende spiker.

⚠ FORSIKTIG: Ikke fjern fastkjørte spikrene med bare hendene. En spiker kan skytes ut av magasinet og forårsake en personskade.

Bruk sekskantnøkkelen til å skru ut sekskantboltene som holder stempelføringen på plass.

Fjern de fastkjørte spikrene fra spikerføringssporet med en skrutrekker.

Fest stempelføringen med sekskantboltene.

► Fig.19: 1. Stempelføring 2. Sekskantbolt

MERK: Når stempelføringen er festet, må du alltid kontrollere at den aktiveres som den skal. Hvis ikke, må sekskantboltene fjernes og stempelføringen monteres på nytt.

VEDLIKEHOLD

⚠ FORSIKTIG: Forviss deg alltid om at maskinen er slått av og batteriet tatt ut før du foretar inspeksjon eller vedlikehold.

OBS: Aldri bruk gasolin, bensin, tynner alkohol eller lignende. Det kan føre til misfarging, deformering eller sprekke dannelse.

For å opprettholde produktets SIKKERHET og PÅLITELIGHET, må reparasjoner, vedlikehold og justeringer utføres av autoriserte Makita servicesentre eller fabrikk servicesentre, og det må alltid brukes reservedeler fra Makita.

Skifte stempelføring

Valgfritt tilbehør

Erstatt standardstempelføringen med den valgfrie stempelføringen, som er bedre egnet til å feste skråråske lister.

1. Bruk sekskantnøkkelen til å skru ut sekskantboltene som holder stempelføringen på plass.

► Fig.20: 1. Sekskantbolt

2. Dra av standardstempelføringen nedover.

► Fig.21: 1. Standardstempelføring

3. Monter den valgfrie stempelføringen ved å skyve den mot føringssporet.

► Fig.22: 1. Valgfri stempelføring 2. Føringsspor

4. Fest den valgfrie stempelføringen med sekskantboltene.

► Fig.23: 1. Sekskantbolt

VALGFRITT TILBEHØR

⚠️ FORSIKTIG: Det anbefales at du bruker dette tilbehøret eller verktøyet sammen med den Makita-maskinen som er spesifisert i denne håndboken. Bruk av annet tilbehør eller verktøy kan forårsake personskader. Tilbehør og verktøy må kun brukes til det formålet det er beregnet på.

Ta kontakt med ditt lokale Makita-servicesenter hvis du trenger mer informasjon om dette tilbehøret.

- Spikrer
- Stempelføring (til å feste skråskjært list)
- Makita originalbatteri og lader

MERK: Enkelte elementer i listen kan være inkludert som standardtilbehør i verktøypakken. Elementene kan variere fra land til land.

TEKNISET TIEDOT

Malli:	FN001G
Naulakoko	18 Ga x 15, 20, 25, 30, 35, 40 mm
Naulamakasiinin kapasiteetti	100 kpl
Mitat BL4025:n kanssa ja ilman koukkua (P x L x K)	265 mm x 86 mm x 243 mm
Nimellisjännite	DC 36 V – 40 V maks.
Nettopaino	2,6–3,8 kg

- Jatkuvasta tutkimus- ja kehitystyöstämme johtuen esitetyt tekniset tiedot saattavat muuttua ilman erillistä ilmoitusta.
- Tekniset tiedot ja akkupaketti voivat vaihdella maittain.
- Paino voi olla erilainen lisävarusteista sekä akusta johtuen. EPTA-menetellytavan 01/2014 mukaisesti, taulukossa on kuvattu kevyin ja painavin laiteyhdistelmä.

Käytettävä akkupaketti ja laturi

Akkupaketti	BL4020* / BL4025* / BL4040 / BL4040F / BL4050F / BL4080F *: Suositeltu akku
Laturi	DC40RA / DC40RB / DC40RC / DC40WA / BCC01 / BCC02

- Tiettyjä yläpuolella kuvattuja akkuja ja latureita ei ehkä ole saatavana asuinalueestasi johtuen.

VAROITUS: Käytä vain edellä eriteltyjä akkupaketteja ja latureita. Muiden akkupakettien ja laturien käyttäminen voi aiheuttaa loukkaantumisen ja/tai tulipalon.

Käyttötarkoitus

Työkalu on tarkoitettu naulaukseen sisätila- ja huonekalutöissä.

Melutaso

Tyypillinen A-painotettu melutaso määräytyy standardin EN60745-2-16 mukaan:

Äänenpainetaso (L_{pA}): 81 dB (A)
 Äänen voiman taso (L_{WA}): 92 dB (A)
 Virhemarginaali (K): 3 dB (A)

HUOMAA: Ilmoitetut melutasoarvot on mitattu standarditestausten mukaisesti ja niiden avulla voidaan vertailla työkaluja keskenään.

HUOMAA: Ilmoitettuja melutasoarvoja voidaan käyttää myös altistumisen alustavaan arviointiin.

VAROITUS: Käytä kuulosuojaimia.

VAROITUS: Sähkötyökulun käytön aikana mitattu melutasoarvo voi poiketa ilmoitetuista arvoista laitteen käyttötavan ja erityisesti käsiteltävän työkappaleen mukaan.

VAROITUS: Selvitä käyttäjän suojaamiseksi tarvittavat varoimet todellisissa käyttöolosuhteissa tapahtuvan arvioidun altistumisen mukaisesti (ottaen huomioon käyttöjako kokonaisuudessaan, myös jaksot, joiden aikana laite on sammutettuna tai käy tyhjäkäynnillä).

Tärinä

Standardin EN60745-2-16 mukaan määräytyvä tärinäarvo:

Tärinäpäästö (a_h): 2,5 m/s² tai alhaisempi
 Virhemarginaali (K): 1,5 m/s²

HUOMAA: Ilmoitetut kokonaistärinäarvot on mitattu standarditestausten mukaisesti ja niiden avulla voidaan vertailla työkaluja keskenään.

HUOMAA: Ilmoitettuja kokonaistärinäarvoja voidaan käyttää myös altistumisen alustavaan arviointiin.

VAROITUS: Sähkötyökulun käytön aikana mitattu todellinen tärinäpäästöarvo voi poiketa ilmoitetuista arvoista laitteen käyttötavan ja erityisesti käsiteltävän työkappaleen mukaan.

VAROITUS: Selvitä käyttäjän suojaamiseksi tarvittavat varoimet todellisissa käyttöolosuhteissa tapahtuvan arvioidun altistumisen mukaisesti (ottaen huomioon käyttöjako kokonaisuudessaan, myös jaksot, joiden aikana laite on sammutettuna tai käy tyhjäkäynnillä).

Vaatimustenmukaisuusvaatimukset

Koskee vain Euroopan maita

Vaatimustenmukaisuusvakuutukset on liitetty tähän käyttöoppaaseen liitteeksi A.

TURVAVAROITUKSET

Sähkötyökalujen käyttöä koskevat yleiset varoitukset

VAROITUS Tutustu kaikkiin tämän sähkötyökalun mukana toimitettuihin turvavaroituksiin, ohjeisiin, kuviin ja teknisiin tietoihin. Seuraavassa esitetyjen ohjeiden noudattamatta jättäminen voi aiheuttaa sähköiskun, tulipalon ja/tai vakavan vamman.

Säilytä varoitukset ja ohjeet tulevaa käyttöä varten.

Varoituksissa käytettävällä termillä "sähkötyökalu" tarkoitetaan joko verkkovirtaa käyttävää (johdollista) työkalua tai akkukäyttöistä (johdotonta) työkalua.

Akkukäyttöisen naulaimen turvallisuutta koskevat varoitukset

- Oleta aina, että työkalu on ladattu kiinnittimillä.** Huolimaton naulaimen käsittely voi aiheuttaa kiinnittimien odottamattoman laukaisun ja henkilövahingon.
- Älä suuntaa työkalua itseesi tai muita lähelläsi olevia päin.** Yllättävä liipaisimen painallus voi vapauttaa kiinnittimen ja aiheuttaa vammautumisen.
- Älä aktivoi työkalua, jollei työkalu ole tukevasti työkappaleita vasten.** Jos työkalu ei ole yhteydessä työkappaleeseen, kiinnitin voi poiketa aiotusta suunnasta.
- Katkaise työkalun virta, jos kiinnitin juuttuu työkalussa.** Naulain saattaa laueta vahingossa, jos juuttunutta kiinnintä yritetään irrottaa työkalun virran ollessa päällä.
- Ole varovainen jumittunutta kiinnintä poistaessasi.** Koneisto saattaa puristuksessa ja kiinnitin saattaa laueta voimakkaasti, kun yrität vapauttaa jumittunutta tilaa.
- Älä käytä tätä naulainta sähköjohtojen kiinnittämiseen.** Työkalua ei ole tarkoitettu sähköjohtojen asentamiseen ja se voi vaurioittaa sähköjohtojen eristeitä aiheuttaen sähköiskun tai tulipalon.
- Pidä kädet ja jalat poissa poistoaukon tuntumasta.**
- Noudata vaihtelu- ja lisävarusteiden vaihto-ohjeita.**
- Irrota akku aina ennen kiinnittimien lisäämistä ja säätö-, tarkistus- tai huoltotoimia ja kun lopetat työkalun käytön.**
- Varmista ennen käyttöä, ettei lähellä ole ketään.** Älä koskaan yritä naulata kiinnittimiä samaan aikaan seinän sisä- ja ulkopuolelta. Kiinnittimet voivat tunkeutua läpi ja/tai kimmota ja aiheuttaa vakavan vaaratilanteen.
- Huolehdi jalansijasta ja säilytä tasapaino käsitellessäsi työkalua.** Varmista, ettei kukaan ole alapuolella, kun työskentelet korkeissa paikoissa.
- Älä koskaan käytä naulainta seuraavanlaisiin erityistiloihin, joissa on merkintä "Älä käytä**

telineillä, tikkailla", kuten esimerkiksi:

- jos käyttöpaikan vaihtaminen edellyttää telineiden, portaiden, tikkaiden tai vastavien rakennelmien, kuten kattorimoituksen käyttöä,
 - laatikoiden tai häkkien sulkeminen,
 - kuljetuksenaikaisten turvajärjestelmien kiinnittäminen esim. ajoneuvoihin tai vaunuihin.
- Tarkista seinät, katot, lattiat, kattorakenteet ja vastaavat huolella välttääksesi sähköjohtoon, kanavaan tai kaasuputkeen osuvan niittaamisen aiheuttaman sähköiskun, kaasuvuodon, räjähdysksen tms.**
 - Käytä vain tässä oppaassa määritettyjä kiinnittimiä.** Muiden kiinnittimien käyttäminen voi aiheuttaa työkalun toimintahäiriön.
 - Älä tee työkaluun muutoksia äläkä yritä käyttää sitä muuhun kuin kiinnittimien kiinnittämiseen.**
 - Älä käytä työkalua ilman kiinnittimiä.** Se lyhentää työkalun käyttöikää.
 - Lopeta käyttö välittömästi, jos havaitset työkalussa jotain vikaa tai tavallisesta poikkeavaa.**
 - Älä koskaan niittaa materiaalia, jonka kiinnitin voi läpäistä ja jatkaa lentorataansa.**
 - Älä koskaan käytä liipaisinta ja turvavipua samanaikaisesti, ennen kuin olet valmis työkappaleiden kiinnittämiseen.** Anna työkappaleen puristua turvavipua vasten. Älä koskaan vähennä sen turvavaikutusta lukitsemalla turvavipu taka-asentoon tai painamalla sitä kädellä.
 - Älä koskaan peukaloi turvakytintä.** Tarkista usein, että turvakytin toimii asianmukaisesti.
 - Poista aina kiinnittimet työkalusta, kun työkalu ei ole käytössä.**

SÄILYTÄ NÄMÄ OHJEET.

VAROITUS: ÄLÄ anna työkalun helppokäyttöisyyden (toistuvan käytön aikaansaama) johtaa sinua vääriin turvallisuuden tunteeseen niin, että laiminlyöt työkalun turvaohjeiden noudattamisen. **VÄÄRINKÄYTTÖ** tai tässä käyttöohjeessa ilmoitettujen turvamääräysten laiminlyönti voi aiheuttaa vakavia henkilövahinkoja.

Akkupakettia koskevia tärkeitä turvaohjeita

- Ennen akun käyttöönottoa tutustu kaikkiin laturissa (1), akussa (2) ja akkukäytössä tuotteessa (3) oleviin varoitusteksteihin.**
- Älä pura tai peukaloi imuria akkupakettia.** Se voi johtaa tulipaloon, ylikuumenemiseen tai räjähdyskeeseen.
- Jos akun toiminta-aika lyhenee merkittävästi, lopeta akun käyttö.** Seurauksena voi olla ylikuumeneminen, palovammoja tai jopa räjähdys.
- Jos akkunenestettä pääsee silmiin, huuhtele puhtaalla vedellä ja hakeudu välittömästi lääkärin hoitoon.** Akkuneneste voi aiheuttaa näön menetyksen.

5. Älä oikosulje akkua.

- (1) Älä koske akun napoihin millään sähköä johtavalla materiaalilla.
- (2) Vältä akun oikosulkemista äläkä säilytä akkua yhdessä muiden metalliesineiden, kuten naulojen, kolikoiden ja niin edelleen kanssa.
- (3) Älä aseta akkua alttiiksi vedelle tai sateelle.

Oikosulku voi aiheuttaa virtapiikin, ylikuumentumista, palovammoja tai laitteen rikkoutumisen.

6. Älä säilytä ja käytä työkalua ja akkupakettia paikassa, jossa lämpötila voi nousta 50 °C:een (122 °F) tai korkeammaksi.
7. Älä hävitä akkua polttamalla, vaikka se olisi pahoin vaurioitunut tai täysin loppuun kulunut. Avotuli voi aiheuttaa akun räjähtämisen.
8. Älä naulaa, leikkaa, purista, heitä tai pudota akkupakettia tai iske sitä kovia esineitä vasten. Tällaiset toimet voivat johtaa tulipaloon, ylikuumentumiseen tai räjähdykseen.
9. Älä käytä viallista akkua.
10. Sisältyviä litium-ioni-akkuja koskevat vaarallisten aineiden lainsäädännön vaatimukset. Esimerkiksi kolmansien osapuolten huolintaliikkeiden tulee kaupallisissa kuljetuksissa noudattaa pakkaamista ja merkintöjä koskevia erityisvaatimuksia. Lähetettävän tuotteen valmistelu edellyttää vaarallisten aineiden asiantuntijan neuvontaa. Huomioi myös mahdollisesti yksityiskohtaisemmat kansalliset määräykset
Akun avoimet liittimet tulee suojata teipillä tai suojuksella ja pakkaaminen tulee tehdä niin, ettei akku voi liikkua pakkauksessa.
11. Kun akkupaketti on hävitettävä, poista se laitteesta ja hävitä se turvallisesti. Hävitä akku paikallisten määräysten mukaisesti.
12. Käytä akkuja vain Makitan ilmoittamien tuotteiden kanssa. Akkujen asentaminen yhteensopimattomiin tuotteisiin voi aiheuttaa tulipalon, liiallisen ylikuumentumisen, räjähdyksen tai akkunestevuotoja.
13. Jos laitetta ei käytetä pitkään aikaan, akku on poistettava laitteesta.
14. Akkupaketin lämpötila voi käytön aikana ja sen jälkeen nousta niin kuumaksi, että se voi aiheuttaa palovammoja tai lieviä palovammoja. Käsittele kuumia akkupaketteja huolellisesti.
15. Älä kosketa työkalun liittintä välittömästi käytön jälkeen, sillä se voi olla riittävän kuuma aiheuttamaan palovammoja.
16. Älä päästä lastuja, pölyä tai maata akkupaketin liittimiin, aukkoihin ja uriin. Se voi johtaa työkalun tai akkupaketin lämpenemiseen, sytymiseen, purkautumiseen tai toimintahäiriöön, mikä voi aiheuttaa palovammoja tai vammoja.
17. Ellei työkalu tue käyttöä korkeajännitelinjojen lähellä, älä käytä akkupakettia korkeajännitelinjojen lähellä. Se voi johtaa työkalun tai akkupaketin toimintahäiriöön tai rikkoutumiseen.
18. Pidä akku poissa lasten ulottuvilta.

SÄILYÄ NÄMÄ OHJEET.

▲HUOMIO: Käytä vain alkuperäisiä Makita-akkuja. Muiden kuin aitojen Makita-akkujen, tai mahdollisesti muutettujen akkujen käyttö voi johtaa akun murtumiseen ja aiheuttaa tulipaloja, henkilö- ja omaisuusvahinkoja. Se mitätöi myös Makita-työkalun ja -laturin Makita-takuun.

Vihjeitä akun käyttöön pidentämiseksi

1. Lataa akku ennen kuin se purkautuu täysin. Lopeta aina työkalun käyttö ja lataa akku, jos huomaat työkalun tehon vähenevän.
2. Älä koskaan lataa uudestaan täysin ladattua akkua. Ylilataaminen lyhentää akun käyttöikää.
3. Lataa akku huoneen lämpötilassa välillä 10 °C - 40 °C. Anna kuuman akun jäähtyä ennen lataamista.
4. Irrota akkupaketti työkalusta tai laturista, kun sitä ei käytetä.
5. Lataa akkupaketti, jos et käytä sitä pitkään aikaan (yli kuusi kuukautta).

TOIMINTOJEN KUVAUS

▲HUOMIO: Varmista aina ennen säätöjä ja tarkastuksia, että työkalu on sammutettu ja akkupaketti irrotettu.

Akun asentaminen tai irrottaminen

▲HUOMIO: Sammuta työkalu aina ennen akun kiinnittämistä tai irrottamista.

▲HUOMIO: Pidä työkalusta ja akusta tiukasti kiinni, kun irrotat tai kiinnität akkua. Jos akkupaketti tai työkalu putoaa, ne voivat vaurioitua tai aiheuttaa tapaturman.

Akkupaketti asetetaan paikalleen sovitamalla akkupaketin kieleke rungon uraan ja työntämällä se sitten paikalleen. Työnnä se pohjaan asti niin, että kuulet sen napsahtavan paikoilleen. Jos näet kuvan mukaisen punaisen ilmaisimen, lukitus ei ole täysin pitävä.

Irrota akku painamalla akun etupuolella olevaa painiketta ja vetämällä akku ulos työkalusta.

- Kuva1: 1. Punainen ilmaisin 2. Painike
3. Akkupaketti

▲HUOMIO: Työnnä akkupaketti aina pohjaan asti, niin että punainen ilmaisin ei enää näy. Jos akkupaketti ei ole kunnolla paikallaan, se voi pudota työkalusta ja aiheuttaa vammoja joko sinulle tai sivullisille.

▲HUOMIO: Älä käytä voimaa akun asennuksessa. Jos akku ei liu'u paikalleen helposti, se on väärässä asennossa.

Työkalun/akun suojausjärjestelmä

Työkalu on varustettu työkalu/akun suojausjärjestelmällä. Tämä järjestelmä pidentää työkalun ja akun käyttöikää katkaisemalla automaattisesti moottorin virran. Työkalu pysähtyy automaattisesti kesken käytön, jos työkalussa tai akussa ilmenee jokin seuraavista tilanteista:

Ylikuormitusuoja

Kun työkalua/akku käytetään tavalla, joka saa sen kuluttamaan epätavallisen suuren määrän virtaa, työkalu pysähtyy automaattisesti ilman mitään merkkivaloa tai ilmaisinta. Katkaise tässä tilanteessa työkalusta virta ja lopeta ylikuormitustilan aiheuttanut käyttö. Käynnistä sitten työkalu uudelleen kytkemällä siihen virta.

Ylikuumenemissuoja

Kun työkalu/akku ylikuumentaa, työkalu pysähtyy automaattisesti. Anna silloin työkalun/akun jäähtyä, ennen kuin kytket työkaluun uudelleen virran.


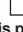













Ylipurkautumissuoja

Kun akun varaus on riittämätön, työkalu pysähtyy automaattisesti. Irrota silloin akku työkalusta ja lataa se.

Akun jäljellä olevan varaustason ilmaisin

Painamalla tarkistuspainiketta saat näkyviin akun jäljellä olevan varauksen. Merkkivalot palavat muutaman sekunnin ajan.

► **Kuva2:** 1. Merkkivalot 2. Tarkistuspainike

Merkkivalot			Akussa jäljellä olevan varaus
 Palaa	 Pois päältä	 Viilkuu	
			75% - 100%
			50% - 75%
			25% - 50%
			0% - 25%
			Lataa akku.
			Akussa on saatannut olla toimintahäiriö.
			

HUOMAA: Ilmoitettu varaustaso voi erota hieman todellisesta varaustasosta sen mukaan, millaisissa oloissa ja missä lämpötilassa laitetta käytetään.

HUOMAA: Ensimmäinen (vasemmanpuoleisin) merkkivalo vilkkuu, kun akun suojausjärjestelmä on toiminnassa.

Liipaisinlukkopainike

▲HUOMIO: Tarkista aina ennen akkupaketin asettamista työkaluun, että liipaisinkytkin kytketty oikein ja palaa "OFF"-asentoon, kun se vapautetaan.

▲HUOMIO: Kun et käytä työkalua, lukitse liipaisinkytkin OFF-asentoon painamalla liipaisinlukkopainiketta B-puolelta.

► **Kuva3:** 1. Liipaisinlukkopainike 2. Liipaisinkytkin

► **Kuva4**

Laitteessa on liipaisinlukkopainike, joka estää liipaisinkytkimen painamisen vahingossa.

Vetääksesi kytkinlaukaisimesta, paina liipaisinlukkopainiketta A-puolelta.

Paina aina käytön jälkeen liipaisinlukkopainiketta B-puolelta.

Naulaussyvyiden säätö

▲VAROITUS: Varmista aina, ettei sormesi ole liipaisimen tai turvavivun päällä, sekä että akku on poistettu ennen naulaimen naulaussyvyiden säätöä.

Naulaussyvyttä voi säätää työkalun säädintä kääntämällä. Naulaussyvyys suurenee, kun säädintä käännetään kuvan mukaiseen suuntaan A, ja pienenee, kun säädintä käännetään suuntaan B. Säätöväli on 2,5 mm.

► **Kuva5:** 1. Säädin

► **Kuva6:** 1. Liian syvä 2. Oikea syvyys 3. Liian matala

Lampun syyttäminen

▲HUOMIO: Älä katso suoraan lamppuun tai valonlähteeseen.

Lamppu syttyy, kun painat liipaisinkytkintä tai aktivoit turvakytkimen. Lamppu palaa enintään 60 sekuntia, kuin liipaisinkytkintä pidetään painettuna tai turvakytkin on aktivoituna. Lamppu sammuu noin 10 sekunnin kuluttua liipaisinkytkimen tai turvakytkimen vapauttamisesta.

► **Kuva7:** 1. Lamppu

HUOMAUTUS: Pyyhi lika pois linssistä kuivalla liinalla. Varo naarmuttamasta linssiä, ettei valoteho laske.

HUOMAUTUS: Kun akun jäännösteho pienenee, naulain ei välttämättä laukaise nauloja, vaikka lamppu syttyisi. Tässä tilanteessa lataa akku.

HUOMAUTUS: Jos työkalu ylikuumentaa, valo alkaa vilkkua. Vapauta tällöin liipaisinkytkin ja turvakytkin ja anna työkalun/akun jäähtyä ennen työskentelyn jatkamista.

HUOMAUTUS: Lamppu alkaa vilkkua, jos naulain havaitsee virheen naulan syötössä. Toimita naulain tällöin tehtaan huoltopisteeseen.

KOKOONPANO

⚠HUOMIO: Varmista aina, ettei sormesi ole liipaisinkytkimen tai turvakärjen päällä, ja että akku on poistettu ennen minkäänlaisen työn suorittamista naulaimella.

Naulojen lisääminen tai poistaminen

⚠HUOMIO: Varmista aina, että sormesi eivät ole liipaisimella ja että akku on irrotettu, ennen kuin lisätä tai poistat nauloja.

⚠HUOMIO: Älä liikuta naulaimen liukukantta äkillisesti, jos naulaimessa on nauloja. Naulojen pudottaminen vahingossa, erityisesti korkealla työskenneltäessä, voi aiheuttaa henkilövahinkoja.

⚠HUOMIO: Aseta naulat oikeaan suuntaan. Väärään suuntaan lataaminen voi aiheuttaa käyttöpään ennenaikaisen kulumisen ja sekä muiden osien vahingoittumisen.

⚠HUOMIO: Älä käytä vääntyneitä naulaliuskoja. Käytä vain tässä ohjekirjassa ilmoitettuja nauloja. Muiden kuin näissä ohjeissa mainittujen naulojen käyttäminen voi aiheuttaa naulojen juuttumista ja vaurioittaa naulainta.

1. Paina lukitusvipua ja avaa makasiinin liukukansi.
► **Kuva8:** 1. Lukitusvipu 2. Liukukansi 3. Makasiini

2. Aseta naulaliuska siten, että naulojen kärjet koskettavat makasiinin pohjaa, ja liu'uta naulaliuska sitten käyttöpään ohjainta kohti.

► **Kuva9:** 1. Naulat 2. Liukukansi 3. Käyttöpään ohjain

3. Palauta liukukansi alkuperäiseen asentoonsa niin, että lukitusvipu lukitsee sen.

Jos haluat poistaa naulat, paina lukitusvipua ja työnnä liukukantta. Poista naulat makasiinista.

Nokkasovitin

⚠HUOMIO: Varmista aina, ettei sormesi ole liipaisimen tai käyttöpään päällä, sekä että akku on poistettu ennen nokkasovittimen asentamista.

Käytä nokkasovitinta, kun naulaat helposti vahingoittuvaa materiaalia. Aseta sovitin käyttöpään ohjaimen terävään päähän.

Voit estää nokkasovittimen katoamisen säilyttämällä sitä makasiinin takaosassa olevassa pidikkeessä.

► **Kuva10:** 1. Nokkasovitin 2. Käyttöpään ohjain 3. Pidike

Koukku

⚠HUOMIO: Kun asennat koukun, kiristä se aina kiinni ruuvilla. Muutoin koukku voi irrota laitteesta ja aiheuttaa henkilövamman.

⚠HUOMIO: Käytä ripustus-/kiinnitysosia vain niiden käyttötarkoituksen mukaisesti.

Epätarkoituksenmukainen käyttö voi johtaa onnettomuuteen tai henkilövahinkoon.

⚠HUOMIO: Älä ripusta koukkuja vyöhösi.

Koukun vahingossa tapahtuneesta irtoamisesta johtuva naulaimen putoaminen voi aiheuttaa tahattoman laukaisemisen ja henkilövammoja.

► Kuva11

Työkalu voidaan kätevästi ripustaa väliaikaisesti koukkuun. Tämä voidaan asentaa kummalle puolelle työkalua tahansa.

Asenna koukku työntämällä se työkalun rungon uraan jommallekummalle puolelle ja varmista kiinnitys ruuvilla. Voit irrottaa koukun löysäämällä ja irrottamalla ruuvin.

► **Kuva12:** 1. Ura 2. Koukku 3. Ruuvi

Kuusioavaimen säilytys

Säilytä kuusioavainta kuvan osoittamassa paikassa sen katoamisen välttämiseksi.

► **Kuva13:** 1. Kuusioavain

TYÖSKENTELY

Turvajärjestelmän testaaminen

⚠VAROITUS: Varmista ennen käyttöä, että kaikki turvajärjestelmät toimivat. Muuten seurauksena voi olla henkilövamma.

► **Kuva14:** 1. Liipaisinlukkopainike 2. Liipaisinkytkin 3. Turvakytkin 4. Makasiini

Testaa turvajärjestelmät mahdollisen häiriöiden varalta ennen käytön aloittamista.

1. Poista laitteesta olevat naulat ja pidä makasiini avattuna.

2. Asenna akku ja vapauta liipaisinlukko.

3. Paina liipaisinkytkintä koskematta materiaalia turvakytkimellä.

4. Paina turvakytkin materiaalia vasten liipaisinkytkintä painamatta.

Jos työkalu toimii edellä kuvatuissa kohdissa 3 tai 4, turvajärjestelmät ovat vialliset. Lopeta työkalun käyttö ja ota yhteyttä paikalliseen huoltoedustajaan.

Naulojen naulaaminen

VAROITUS: Älä käytä tätä naulainta sähköjohtojen kiinnittämiseen. Työkalua ei ole tarkoitettu sähköjohtojen asentamiseen ja se voi vaurioittaa sähköjohtojen eristeitä aiheuttaen sähköiskun tai tulipalon.

VAROITUS: Jatka pitämällä turvakärkeä tiukasti kiinni materiaalissa, kunnes naula uppoaa täysin materiaalin sisään. Tahaton laukaiseminen voi aiheuttaa henkilövahinkoja.

HUOMIO: Pidä työkalusta kiinni tukevasti käytön aikana.

1. Vapauta liipaisinlukko.
2. Aseta turvakytin työkappaletta vasten.
3. Laukaise naula painamalla liipaisinta.
4. Laukaise seuraava naula vapauttamalla sormesi liipaisimelta ja toistamalla tämän jälkeen vaiheet 2 ja 3.
► **Kuva15:** 1. Liipaisin 2. Turvavipu

Voit myös laukaista nauloja vetämällä laitteen seuraavaan naulauskohtaan turvavipua materiaalia vasten painettuna ja käyttämällä sitten liipaisinta.

► **Kuva16**

Jos työkappaleeseen laukaistun naulan kärjet pysyvät pinnan yläpuolella, laukaise naula niin, että pidät samalla naulaimen päätä tukevasti työkappaletta vasten.

► **Kuva17**

HUOMAA: Jos naula jää vieläkin työkappaleen päälle vaikka pidät naulaimen päätä työkappaletta vasten, käytettävä materiaali ei ehkä sovellu naulaimelle. Naulaimen käyttö kyseisellä materiaalilla voi johtaa naulaimen käyttöön vaurioihin ja/tai naulaimen juuttumiseen.

Tyhjälaukaisun estomekanismi

VAROITUS: Varmista aina, ettei sormesi ole liipaisimen tai turvavivun päällä, sekä että akku on poistettu ennen naulaimen lataamista.

Liipaisinta ei voi enää käyttää, kun makasiini on tyhjentynyt naulaliuskoista. Aseta tässä vaiheessa makasiiniin uusi naulaliuska. Liipaisinta voidaan jälleen painaa.

Jäljellä olevien naulojen määrän tarkastus

Voit tarkastaa jäljellä olevien naulojen määrän tarkastussikkunan kautta.

Jäljellä olevien naulojen määrän vähenemistä voi seurata naula-aukkoa kohti liikkuvaa punaista ilmaisinta seuraamalla.

► **Kuva18:** 1. Täyhystinikkuna 2. Ilmaisinta

Juuttuneiden naulojen poistaminen

VAROITUS: Varmista aina, että liipaisin on vapautettu, akku on irrotettu ja naulat poistettu, ennen kuin alat poistaa juuttuneita nauloja.

HUOMIO: Älä koske jumiutuneisiin nauloihin paljain käsin. Naula voi ponnahtaa ulos makasiinista ja aiheuttaa henkilövahinkoja.

Irrota käyttöpään ohjaimen kuusiopultti kuusioavaimella.

Poista juuttuneet naulat naulojen ohjainurasta ristipääruuvitalalla.

Kiinnitä käyttöpään ohjain kuusiopulteilla.

► **Kuva19:** 1. Käyttöpään ohjain 2. Kuusiopultti

HUOMAA: Varmista aina käyttöpään ohjaimen kiinnittämisen jälkeen, että se toimii oikein. Jos se ei toimi oikein, irrota kuusiopultit ja asenna käyttöpään ohjain uudelleen.

KUNNOSSAPITO

HUOMIO: Varmista aina ennen tarkastusta tai huoltoa, että työkalu on sammutettu ja akku irrotettu.

HUOMAUTUS: Älä koskaan käytä bensiiniä, ohenteita, alkoholia tai tms. aineita. Muutoin pinta voi halkeilla tai sen värit ja muoto voivat muuttua. Muutoin laitteeseen voi tulla värjäytymiä, muodon vääristymiä tai halkeamia.

Tuotteen TURVALLISUUDEN ja LUOTETTAVUUDEN takaamiseksi korjaukset, muut huoltotyöt ja säädöt on teetettävä Makitan valtuutetussa huoltopisteessä Makitan varaosia käyttäen.

Käyttöpään ohjaimen vaihtaminen

Valinnainen lisävaruste

Vaihda käyttöpään vakio-ohjain valinnaiseen käyttöpään ohjaimen, joka sopii paremmin viistenauhan kiinnittämiseen.

1. Irrota käyttöpään ohjaimen kuusiopultti kuusioavaimella.

► **Kuva20:** 1. Kuusiopultti

2. Irrota käyttöpään vakio-ohjain sitä alaspäin painamalla.

► **Kuva21:** 1. Käyttöpään vakio-ohjain

3. Asenna valinnainen käyttöpään ohjain painamalla sitä ylöspäin kiinni ohjainaukkoon.

► **Kuva22:** 1. Valinnainen käyttöpään ohjain 2. Ohjainaukko

4. Kiinnitä valinnainen käyttöpään ohjain kuusiopulteilla.

► **Kuva23:** 1. Kuusiopultti

LISÄVARUSTEET

⚠HUOMIO: Seuraavia lisävarusteita tai laitteita suositellaan käytettäväksi tässä ohjeessa kuvatun Makita-työkalun kanssa. Muiden lisävarusteiden tai laitteiden käyttö voi aiheuttaa henkilövahinkoja. Käytä lisävarusteita ja -laitteita vain niiden käyttötarkoituksen mukaisesti.

Jos tarvitset apua tai yksityiskohtaisempia tietoja seuraavista lisävarusteista, ota yhteys paikalliseen Makitan huoltoon.

- Naulat
- Käyttöpään ohjain (viistenauhan kiinnittämiseen)
- Aito Makitan akku ja laturi

HUOMAA: Jotkin luettelossa mainitut varusteet voivat sisältyä työkalun toimitukseen vakiovarusteina. Ne voivat vaihdella maittain.

SPECIFIKATIONER

Model:	FN001G
Sømostørrelse	18Ga x 15, 20, 25, 30, 35, 40 mm
Kapacitet af sømmagasin	100 stk.
Mål med BL4025, uden krog (L x B x H)	265 mm x 86 mm x 243 mm
Mærkespænding	D.C. Maks. 36 V - 40 V
Nettovægt	2,6 - 3,8 kg

- På grund af vores kontinuerlige forsknings- og udviklingsprogrammer kan hosstående specifikationer blive ændret uden varsel.
- Specifikationer og akku kan variere fra land til land.
- Vægten kan være anderledes afhængigt af tilbehøret, inklusive akkuen. Den letteste og tungeste kombination i henhold til EPTA-procedure 01/2014 er vist i tabellen.

Anvendelig akku og oplader

Akku	BL4020* / BL4025* / BL4040 / BL4040F / BL4050F / BL4080F * : Anbefalet batteri
Oplader	DC40RA / DC40RB / DC40RC / DC40WA / BCC01 / BCC02

- Nogle af de akkuer og opladere, der er angivet ovenfor, er muligvis ikke tilgængelige, afhængigt af hvilket område du bor i.

⚠ ADVARSEL: Brug kun de akkuer og opladere, der er angivet ovenfor. Brug af andre akkuer og opladere kan medføre personskaade og/eller brand.

Tilsigtet anvendelse

Denne maskine er beregnet til fastgørelse ved inden-dørs arbejde og arbejde med møbler.

Støj

Det typiske A-vægtede støjniveau bestemt i overensstemmelse med EN60745-2-16:
 Lydtryksniveau (L_{pA}) : 81 dB (A)
 Lydeffektniveau (L_{WA}) : 92 dB (A)
 Usikkerhed (K): 3 dB (A)

BEMÆRK: De(n) angivne støjemissionsværdi(er) er målt i overensstemmelse med en standardtestmetode og kan anvendes til at sammenligne en maskine med en anden.

BEMÆRK: De(n) angivne støjemissionsværdi(er) kan også anvendes i en præliminær eksponeringsvurdering.

⚠ ADVARSEL: Bær høreværn.

⚠ ADVARSEL: Støjemissionen under den faktiske anvendelse af maskinen kan være forskellig fra de(n) angivne værdi(er), afhængigt af den måde hvorpå maskinen anvendes, især den type arbejdsemne der behandles.

⚠ ADVARSEL: Sørg for at identificere de sikkerhedsforskrifter til beskyttelse af operatøren, som er baseret på en vurdering af eksponering under de faktiske brugsforhold (med hensyntagen til alle dele i brugscyklussen, f.eks. de gange, hvor maskinen er slukket, og når den kører i tomgang i tilgift til afbrydertiden).

Vibration

Den samlede vibrationsværdi bestemt i henhold til EN60745-2-16:

Vibrationsemission (a_h): 2,5 m/s² eller mindre
 Usikkerhed (K): 1,5 m/s²

BEMÆRK: De(n) angivne totalværdi(er) for vibration er målt i overensstemmelse med en standardtestmetode og kan anvendes til at sammenligne en maskine med en anden.

BEMÆRK: De(n) angivne totalværdi(er) for vibration kan også anvendes i en præliminær eksponeringsvurdering.

⚠ ADVARSEL: Vibrationsemissionen under den faktiske anvendelse af maskinen kan være forskellig fra de(n) angivne værdi(er), afhængigt af den måde hvorpå maskinen anvendes, især den type arbejdssemne der behandles.

⚠ ADVARSEL: Sørg for at identificere de sikkerhedsforskrifter til beskyttelse af operatøren, som er baseret på en vurdering af eksponering under de faktiske brugsforhold (med hensyntagen til alle dele i brugscyklussen, f.eks. de gange, hvor maskinen er slukket, og når den kører i tomgang i tilgift til afbrydertiden).

Overensstemmelseserklæringer

Kun for lande i Europa

Overensstemmelseserklæringerne er inkluderet i Bilag A i denne brugsanvisning.

SIKKERHEDSADVARSLER

Almindelige sikkerhedsregler for el-værktøj

⚠ ADVARSEL Læs alle sikkerhedsadvarsler, instruktioner, illustrationer og specifikationer, der følger med denne maskine. Hvis du ikke følger alle nedenstående instruktioner, kan det medføre elektrisk stød, brand og/eller alvorlig personskade.

Gem alle advarsler og instruktioner til fremtidig reference.

Ordet "el-værktøj" i advarslerne henviser til det netforsyede (netledning) el-værktøj eller batteriforsyede (akku) el-værktøj.

Sikkerhedsadvarsler for akku-stiftepistol

1. **Gå altid ud fra, at maskinen indeholder fastgørelsesmidler.** Uforsigtig håndtering af stiftepistolen kan medføre uventet affyring af fastgørelsesmidler og personskade.
2. **Ret ikke maskinen mod dig selv eller andre i nærheden.** Uventet udløsning vil affyre fastgørelsesmidlet og medføre personskade.
3. **Aktiver ikke maskinen, medmindre maskinen er anbragt fast mod arbejdssemnet.** Hvis maskinen ikke har kontakt med arbejdssemnet, kan fastgørelsesmidlet blive slynget væk fra målet.
4. **Afbryd maskinen fra strømkilden, hvis fastgørelsesmidlet sætter sig fast i maskinen.** Hvis stiftepistolen er tilsluttet, kan den blive aktiveret ved et uheld under fjernelsen af et fastklemt fastgørelsesmiddel.
5. **Vær forsigtig ved fjernelse af et fastklemt fastgørelsesmiddel.** Mekanismen kan være under tryk, og fastgørelsesmidlet kan blive udløst

med stor kraft under forsøg på at afhjælpe en fastklemling.

6. **Anvend ikke stiftepistoler til at fastgøre el-kabler.** Den er ikke beregnet til installation af el-kabler og kan beskadige el-kablernes isolation og derved forårsage elektrisk stød og brandfare.
7. **Hold hænder og fødder på god afstand af udskubningsportens område.**
8. **Følg instruktionerne for smøring og udskiftning af tilbehør.**
9. **Tag altid akkuen ud før indsættelse af fastgørelsesmidler, justering, inspektion, vedligeholdelse, eller når du er færdig med brugen.**
10. **Sørg for, at der ikke er andre i nærheden, før du påbegynder brugen.** Undlad at forsøge at drive fastgørelsesmidler fra både indersiden og ydersiden af væggen på samme tid. Fastgørelsesmidler kan gå gennem og/eller flyve væk, hvilket udgør en alvorlig fare.
11. **Sørg for solidt fodfæste, og hold altid balancen med maskinen.** Sørg for, at der ikke befinder sig nogen under dig, når du arbejder på højtliggende steder.
12. **Anvend aldrig maskiner til idrivning af fastgørelsesmidler, der er mærket med symbolet "Må ikke anvendes på stilladser og stiger", til bestemte formål, f.eks.:**
 - ved skift fra et arbejdssted til et andet, der involverer brug af stilladser, trapper, stiger eller stigelignende konstruktioner som f.eks. taglægter
 - lukning af kasser eller tremmekasser
 - montering af transportsikkerhedssystemer, f.eks. på biler og vogne.
13. **Kontroller omhyggeligt vægge, lofter, gulve, tagmaterialer og lignende for at undgå risiko for elektrisk stød, udsivning af gas, eksplosioner osv. forårsaget af indførsel af krampes i strømførende ledninger, ledningsrør eller gasrør.**
14. **Brug kun de fastgørelsesmidler, der er angivet i denne manual.** Brug af andre fastgørelsesmidler kan medføre funktionsfejl i maskinen.
15. **Foretag ikke ændringer til maskinen, og forsøg ikke at bruge den til andre formål end at indsætte fastgørelsesmidler.**
16. **Undlad at anvende maskinen uden fastgørelsesmidler.** Det forkorter maskinens levetid.
17. **Ophør øjeblikkeligt med arbejdet, hvis du registrerer, at noget er forkert eller virker usædvanligt ved maskinen.**
18. **Fastgør aldrig i materialer, hvor fastgørelsesmidlet kan slå hul og flyve igennem som et projektil.**
19. **Aktiver aldrig afbryderknappen og kontaktelelementet samtidig, før du er klar til at fastgøre arbejdssemner.** Lad arbejdssemnet trykke kontaktelelementet ned. Tilslidsæt aldrig kontaktelelementets formål ved at fastgøre det tilbage eller holde det nede med hånden.
20. **Lav aldrig om på kontaktelelementet.** Kontroller hyppigt, at kontaktelelementet fungerer korrekt.
21. **Fjern altid fastgørelsesmidler fra maskinen, når den ikke er i brug.**

GEM DENNE BRUGSANVISNING.

⚠ ADVARSEL: LAD IKKE bekvemmelighed eller kendskab til produktet (opnået gennem gentagen brug) forhindre, at sikkerhedsforskrifterne for produktet nøje overholdes. MISBRUG eller forsømmelse af at følge de i denne brugsvejledning givne sikkerhedsforskrifter kan føre til, at De kommer alvorligt til skade.

Vigtige sikkerhedsinstruktioner for akkuen

1. Læs alle instruktioner og advarselmærkater på (1) akku-opladeren, (2) akkuen og (3) produktet, som anvender akku.
2. Adskil eller ændr ikke akkuen. Det kan muligvis resultere i en brand, overdreven varme eller eksplosion.
3. Hold straks op med anvendelsen, hvis brugstiden er blevet stærkt afkortet. Fortsat anvendelse kan resultere i risiko for overopledning, forbrændinger og endog eksplosion.
4. Hvis De har fået elektrolytvæske i øjnene, skal De straks skylle den ud med rent vand og derefter øjeblikkeligt søge lægehjælp. I modsat fald kan De miste synet.
5. Vær påpasselig med ikke at komme til at kortslutte akkuen:
 - (1) Rør ikke ved terminalerne med noget ledende materiale.
 - (2) Undgå at opbevare akkuen i en beholder sammen med andre genstande af metal, for eksempel søm, mønter og lignende.
 - (3) Udsæt ikke akkuen for vand eller regn. Kortslutning af akkuen kan forårsage en kraftig øgning af strømmen, overopledning, mulige forbrændinger og endog værktøjstop.
6. Opbevar og brug ikke maskinen og akkuen på steder, hvor temperaturen muligvis kan nå eller overstige 50 °C.
7. Lad være med at brænde akkuen, selv ikke i tilfælde, hvor den har lidt alvorlig skade eller er fuldstændig udtjent. Akkuen kan eksplodere, hvis man forsøger at brænde den.
8. Slå ikke søm i, skær ikke i, knus, kast, tab ikke akkuen og stød ikke akkuen mod en hård genstand. Sådan adfærd kan muligvis resultere i en brand, overdreven varme eller eksplosion.
9. Anvend ikke en beskadiget akku.
10. De indbyggede litium-ion-batterier er underlagt lovkrav vedrørende farligt gods. Ved kommerciel transport, f.eks. af tredjeparts transportselskaber, skal særlige krav til forpakning og mærkning overholdes. Ved forberedelse af udstyret til forsendelse skal du kontakte en ekspert i farligt gods. Overhold også eventuel mere detaljeret national lovgivning. Tape eller tildæk åbne kontakter, og pak batteriet på en måde, så det ikke kan flytte sig rundt i pakningen.
11. Når akkuen bortskaffes, skal du fjerne den fra maskinen og bortskaffe den på et sikkert sted. Følg de lokale love vedrørende bortskaffelsen

af batterier.

12. Brug kun batterierne med de produkter, som Makita specificerer. Hvis batterierne installeres i ikke-kompatible produkter, kan det medføre brand, kraftig varme, eksplosion eller udsving af elektrolyt.
13. Hvis maskinen ikke skal bruges i længere tid ad gangen, skal du fjerne batteriet fra maskinen.
14. Akkuen kan muligvis under og efter brug være varm, hvilket kan forårsage forbrændinger eller lavtemperaturforbrændinger. Vær påpasselig med håndtering af varme akkuer.
15. Rør ikke terminalen på maskinen straks efter brug, da den bliver varm nok til at forårsage forbrændinger.
16. Sørg for, at spåner, støv eller jord ikke sætter sig fast i akkuens terminaler, huller og riller. Det kan forårsage opvarmning, antændelse, sprængning og funktionsfejl i maskinen eller akkuen, hvilket kan medføre forbrændinger eller personskade.
17. Medmindre maskinen understøtter brugen i nærheden af elektriske højspændingsledninger, skal du ikke anvende akkuen i nærheden af elektriske højspændingsledninger. Det kan muligvis medføre funktionsfejl på eller nedbrud af maskinen eller akkuen.
18. Opbevar batteriet utilgængeligt for børn.

GEM DENNE BRUGSANVISNING.

⚠ FORSIGTIG: Brug kun originale batterier fra Makita. Brug af uoriginale Makita-batterier, eller batterier som er blevet ændret, kan muligvis medføre brud på batteriet, hvilket kan forårsage brand, personskade eller beskadigelse. Det ugyldiggør også Makita-garantien for Makita-maskinen og opladeren.

Tips til opnåelse af maksimal akku-levetid

1. Oplad akkuen, inden den er helt afladet. Stop altid værktøjet, og oplad akkuen, hvis De bemærker, at værktøjeffekten er aftagende.
2. Genoplad aldrig en fuldt opladet akku. Overopladning vil afkorte akkuens levetid.
3. Oplad akkuen ved stuetemperatur ved 10 °C - 40 °C. Lad altid en varm akku få tid til at køle af, inden den oplades.
4. Når du ikke anvender akkuen, skal du fjerne den fra maskinen eller opladeren.
5. Oplad akkuen, hvis De ikke skal bruge den i længere tid (mere end seks måneder).

FUNKTIONSBESKRIVELSE

⚠ FORSIGTIG: Sørg altid for at maskinen er slukket, og at akkuen er taget ud, før der udføres justering eller kontrol af funktioner på maskinen.

Isætning eller fjernelse af akkuen

⚠️FORSIGTIG: Sluk altid for værktøjet, før De monterer eller fjerner akkuen.

⚠️FORSIGTIG: Hold værktøjet og akkuen fast ved montering eller fjernelse af akkuen. Hvis De ikke holder værktøjet og akkuen fast, kan de glide ud af hænderne på Dem og forårsage beskadigelse af værktøjet og akkuen eller personskade.

For at montere akkuen skal du justere tungen på akkuen med rillen i huset og skubbe den på plads. Indsæt den hele vejen, indtil den låses på plads med et lille klik. Hvis du kan se den røde indikator, som vist i figuren, er den ikke helt låst.

Akkuen fjernes ved, at De trækker den ud af værktøjet, idet De skyder knappen på forsiden af akkuen i stilling.

► Fig.1: 1. Rød indikator 2. Knap 3. Akku

⚠️FORSIGTIG: Monter altid akkuen helt, indtil den røde indikator ikke længere er synlig. Hvis dette ikke gøres, kan den falde ud af værktøjet ved et uheld, hvorved De selv eller personer i nærheden kan komme til skade.

⚠️FORSIGTIG: Brug ikke magt ved montering af akkuen. Hvis akkuen ikke glider på plads uden problemer, betyder det, at den ikke sættes i på korrekt vis.

Beskyttelsessystem til værktøj/batteri

Maskinen er udstyret med et beskyttelsessystem til maskinen/batteriet. Dette system afbryder automatisk strømmen til motoren for at forlænge maskinens og batteriets levetid. Maskinen stopper automatisk under brugen, hvis maskinen eller batteriet udsættes for et af følgende forhold:

Overbelastningsbeskyttelse

Hvis maskinen/batteriet bruges på en måde, der får den til at trække en unormalt høj strøm, stopper maskinen automatisk uden indikation. Sluk i så fald for maskinen, og stop den anvendelse, der medførte overbelastningen af maskinen. Tænd derefter for maskinen for at starte igen.

Beskyttelse mod overophedning

Hvis maskinen/batteriet er overophedet, stopper maskinen automatisk. Lad i så fald maskinen/batteriet køle ned, før der tændes for maskinen igen.

Beskyttelse mod overafledning

Når batteriladningen er utilstrækkelig, stopper maskinen automatisk. Tag i så fald akkuen ud af maskinen, og oplad akkuen.

Indikation af den resterende batteriladning

Tryk på kontrolknappen på akkuen for at få vist den resterende batteriladning. Indikatorlampen lyser i nogle

sekunder.

► Fig.2: 1. Indikatorlamper 2. Kontrolknap

Indikatorlamper			Resterende ladning
Tændt	Slukket	Blinker	
			75% til 100%
			50% til 75%
			25% til 50%
			0% til 25%
			Genoplad batteriet.
			Der er muligvis fejl i batteriet.

BEMÆRK: Afhængigt af brugsforholdene og den omgivende temperatur kan indikationen afvige en smule fra den faktiske ladning.

BEMÆRK: Den første indikatorlampe (længst mod venstre) vil blinke, når batteribeskyttelsessystemet aktiveres.

Afbryderlåseknap

⚠️FORSIGTIG: Inden akkuen sættes i maskinen, bør De altid kontrollere, at afbryderknappen fungerer korrekt, og returnerer til "OFF"-positionen, når den slippes.

⚠️FORSIGTIG: Når maskinen ikke er i brug, skal du trykke på afbryderlåseknapen fra B-siden for at låse afbryderknappen fast i til-stillingen.

► Fig.3: 1. Afbryderlåseknap 2. Afbryderknap

► Fig.4

En afbryderlåseknap forhindrer, at der trykkes på afbryderknappen ved et uheld.

Tryk på afbryderlåseknapen fra A-siden for at trykke på afbryderknappen.

Tryk altid afbryderlåseknapen ind fra B-siden efter brug.

Justering af dybden for idrivning af søm

⚠️ADVARSEL: Sørg altid for, at du ikke har fingrene på afbryderknappen eller kontaktelemetet, og at akkuen er taget ud, før du justerer dybden for idrivning af stifter.

Dybden for idrivning af søm kan justeres ved at dreje på justeringsmekanismen på maskinen. Et søm idrives dybere, efterhånden som du drejer justeringsmekanismen i A-retningen vist på figuren, og mindre dybt i B-retningen, inden for et område af op til 2,5 mm.

► Fig.5: 1. Justeringsmekanisme

► **Fig.6:** 1. For dyb 2. Korrekt dybde 3. For lav

Tænding af lampen

⚠FORSIGTIG: Kig aldrig direkte på lyskilden. Lad ikke lyset falde i Deres øjne.

Tryk på afbryderknappen, eller aktiver kontaktelelementet for at tænde lampen. Lampen forbliver tændt i op til 60 sekunder, så længe der trykkes på afbryderknappen, eller kontaktelelementet er aktiveret. Lampen slukkes ca. 10 sekunder efter, at afbryderknappen og kontaktelelementet slippes.

► **Fig.7:** 1. Lampe

BEMÆRKNING: Brug en tør klud til at tørre snavset af lampens linse. Pas på ikke at ridse lampens linse, da dette muligvis kan dæmpe belysningen.

BEMÆRKNING: Selv om lampen lyser, når den resterende batteriladning bliver lav, kan sømpistolen muligvis ikke affyre søm. Oplad i så fald akkuen.

BEMÆRKNING: Når maskinen er overophedet, blinker lyset. I dette tilfælde skal du slippe afbryderknappen og kontaktelelementet, og derefter køle maskinen/batteriet ned, inden du betjener den/det igen.

BEMÆRKNING: Lampen begynder at blinke, hvis sømpistol registrerer en fejl under idrivningen af sømmet. Aflever i så fald sømpistolen hos et fabrikksservicecenter.

SAMLING

⚠FORSIGTIG: Sørg altid for, at du ikke har fingrene på afbryderknappen eller kontaktelelementet, og at akkuen er taget ud, før du udfører nogen form for arbejde på sømpistolen.

Isætning eller fjernelse af sømmene

⚠FORSIGTIG: Sørg altid for, at du ikke har fingrene på afbryderen, og at akkuen er taget ud, før isætning af søm.

⚠FORSIGTIG: Skub ikke pludseligt på skydelemmen i sømpistolen, når der sidder søm i maskinen. Hvis du taber søm ved et uheld, kan det medføre personske, især når der arbejdes på højtliggende steder.

⚠FORSIGTIG: Isæt sømmene i den rigtige retning. Isætning i den forkerte retning kan medføre tidligt slid på dreveheden og beskadigelse af de øvrige dele.

⚠FORSIGTIG: Anvend ikke sømbånd, som er deforme. Brug søm, der er angivet i denne brugervejledning. Brug af andre søm end de angivne kan medføre, at sømmet sidder fast, og at sømpistolen går i stykker.

1. Tryk på låsehåndtaget, og åbn skydelemmen til magasinet.

► **Fig.8:** 1. Låsehåndtag 2. Skydelem 3. Magasin

2. Juster et sømbånd, så spidsen af sømmene rører bunden på magasinet, og skub sømbåndet mod drevguiden.

► **Fig.9:** 1. Søm 2. Skydelem 3. Drevguide

3. Sæt skydelemmen tilbage i den oprindelige position, indtil låsehåndtaget låser.

For at fjerne sømmene skal du trykke på låsehåndtaget og derefter skubbe skydelemmen. Tag de søm ud, der stadig sidder i magasinet.

Spidsadapter

⚠FORSIGTIG: Sørg altid for, at du ikke har fingrene på afbryderknappen eller kontaktelelementet, og at akkuen er taget ud, før du monterer spidsadapteren.

Brug spidsadapteren, når du driver søm i skrøbelige overflader. Placer adapteren på den spidse ende af drevguiden.

Du kan opbevare spidsadapteren i holderen bag på magasinet for at forhindre, at den bliver væk.

► **Fig.10:** 1. Spidsadapter 2. Drevguide 3. Holder

Krog

⚠FORSIGTIG: Når kroger monteres, skal den altid fastgøres forsvarligt med skruen. Hvis det ikke er tilfældet kan kroger falde af maskinen og forårsage personske.

⚠FORSIGTIG: Brug kun ophængnings-/monteringsdele til deres tilsigtede formål. Brug til utilsigtede formål kan medføre en ulykke eller alvorlig personske.

⚠FORSIGTIG: Hæng aldrig kroger fra livremmen. Hvis du taber sømpistolen, fordi kroger kommer ud af position ved et uheld, kan det medføre utilsigtet affyring og resultere i personske.

► **Fig.11**

Kroger er praktisk til midlertidig ophængning af maskinen. Den kan monteres i begge sider af maskinen. Kroger monteres ved at indsætte den i en rille i maskinhuset på en af siderne og derefter fastgøre den med en skrue. Den fjernes ved at løsne skruen og tage den ud.

► **Fig.12:** 1. Rille 2. Krog 3. Skrue

Opbevaring af unbrakonøgle

Når unbrakonøglen ikke bruges, skal du opbevare den som vist i figuren for at forhindre, at den bliver væk.

► **Fig.13:** 1. Unbrakonøgle

ANVENDELSE

Test af sikkerhedssystemet

⚠ ADVARSEL: Sørg for, at alle sikkerhedssystemer er i korrekt funktionsstand inden anvendelsen. Hvis du ikke gør dette, kan det medføre personskaade.

► **Fig.14:** 1. Afbryderlæseknop 2. Afbryderknop 3. Kontaktelement 4. Magasin

Test sikkerhedssystemer som følger for eventuelle fejl før brugen.

1. Fjern søm fra maskinen, og lad magasinet være åben.
2. Indsæt akkuen, og frigør afbryderlåsen.
3. Tryk på afbryderknappen uden at berøre kontaktelementet mod materialet.
4. Tryk kontaktelementet mod materialet uden at trykke på afbryderknappen.

Hvis maskinen fungerer i tilfælde 3 eller 4 ovenfor, er der fejl i sikkerhedssystemerne. Hold øjeblikkeligt op med at bruge maskinen, og henvend dig til det lokale servicecenter.

Ildrivning af søm

⚠ ADVARSEL: Anvend ikke stiftepistoler til at fastgøre el-kabler. Den er ikke beregnet til installation af el-kabler og kan beskadige el-kablernes isolation og derved forårsage elektrisk stød og brandfare.

⚠ ADVARSEL: Fortsæt med at sætte kontaktelementet fast mod materialet, indtil sømmet er drevet helt ind. Utilsigtet affyring kan forårsage personskaade.

⚠ FORSIGTIG: Hold godt fast i maskinen under betjening.

1. Slip afbryderlåsen.
2. Placer kontaktelementet fladt mod materialet.
3. Tryk afbryderknappen helt ind for at idrive et søm.
4. Før at idrive det næste søm skal du fjerne fingeren fra afbryderknappen én gang og derefter gentage trin 2 og 3 ovenfor.

► **Fig.15:** 1. Afbryderknop 2. Kontaktelement

Du kan også idrive sømmene, mens du trækker maskinen til det næste område ved at presse kontaktelementet mod materialet og trykke på afbryderknappen.

► **Fig.16**

Hvis hovedet på sømmet forbliver over overfladen af arbejdsemnet, idriv sømmet, idet sømpistolens hoved holdes fast mod arbejdsemnet.

► **Fig.17**

BEMÆRK: Hvis hovedet på sømmet stadig forbliver over arbejdsemnet, selvom du holder sømpistolens hoved, er materialet muligvis ikke egnet til sømpistol. Hvis du fortsætter med at bruge sømpistol på et sådant materiale, kan det medføre beskadigelse af sømpistolens drevenhed og/eller fastklæmning af søm.

Mekanisme til forhindring af affyring, når maskinen er tom

⚠ ADVARSEL: Sørg altid for, at du ikke har fingrene på afbryderknappen eller kontaktelementet, og at akkuen er taget ud, før du sætter søm i sømpistol.

Når antallet af de resterende sømbånd i magasinet er tomt, kan afbryderknappen ikke længere trykkes ned. På dette tidspunkt skal du sætte et nyt sømbånd i magasinet. Afbryderknappen kan trykkes ned igen.

Kontrol af de tilbageværende søm

Du kan kontrollere mængden af tilbageværende søm via kontrolvinduet.

Den røde indikator flytter sig mod affyringsåbningen, efterhånden som antallet af tilbageværende søm bliver mindre.

► **Fig.18:** 1. Kontrolvindue 2. Indikator

Fjernelse af fastklemt søm

⚠ ADVARSEL: Sørg altid for, at afbryderen er blevet løsnet, og akkuen og søm er blevet fjernet, før du fjerner fastklemt søm.

⚠ FORSIGTIG: Undlad at fjerne fastklemt søm med bare hænder. Sømmet kan hoppe ud af magasinet og forårsage personskaade.

Fjern sekskantboltene på drevguiden ved hjælp af unbrakonøglen.

Tag de fastklemt søm ud fra styreillen til søm med en kærvskruetrækker.

Fastgør drevguiden med sekskantbolte.

► **Fig.19:** 1. Drevguide 2. Sekskantbolte

BEMÆRK: Efter sikring af drevguiden, sørg altid for, at den aktiveres korrekt. Hvis ikke, skal du fjerne sekskantboltene og montere drevguiden igen.

VEDLIGEHOELSE

⚠ FORSIGTIG: Vær altid sikker på, at værktøjet er slukket, og at akkuen er taget ud, inden De begynder at udføre inspektion eller vedligeholdelse.

BEMÆRKNING: Anvend aldrig benzin, rensebenzin, fortynder, alkohol og lignende. Det kan medføre misfarvning, deformation eller revner.

For at opretholde produktets SIKKERHED og PÅLIDELIGHED må reparation, vedligeholdelse eller justering kun udføres af et autoriseret Makita servicecenter eller fabrikksservicecenter med anvendelse af Makita reservedele.

Udskiftning af drevguide

Ekstraudstyr

Udskift standardudstys-drevguiden med ekstraudstys-drevguiden, der er bedre egnet til fastgørelse af affasningsbånd.

1. Fjern sekskantboltene på drevguiden ved hjælp af unbrakonøglen.

► **Fig.20:** 1. Sekskantbolt

2. Træk nedad for at afmontere standardudstys-drevguiden.

► **Fig.21:** 1. Standardudstys-drevguide

3. Monter ekstraudstys-drevguiden ved at skubbe den opad og ind i guideåbningen.

► **Fig.22:** 1. Ekstraudstys-drevguide 2. Guideåbning

4. Fastgør ekstraudstys-drevguiden med sekskantbolte.

► **Fig.23:** 1. Sekskantbolt

EKSTRAUDSTYR

⚠FORSIGTIG: Det følgende tilbehør og ekstraudstyr er anbefalet til brug med Deres Makita maskine, der er beskrevet i denne brugsanvisning. Anvendelse af andet tilbehør eller ekstraudstyr kan udgøre en risiko for personskade. Anvend kun tilbehør og ekstraudstyr til det beskrevne formål.

Hvis De behøver hjælp ved valg af tilbehør eller ønsker yderligere informationer, bedes De kontakte Deres lokale Makita servicecenter.

- Søm
- Drevguide (til fastgørelse af affasningsbånd)
- Original Makita-akku og oplader

BEMÆRK: Nogle ting på denne liste kan være inkluderet i værktøjspakken som standardtilbehør. Det kan være forskellige fra land til land.

SPECIFIKĀCIJAS

Modelis:	FN001G
Naglu izmērs	18Ga x 15, 20, 25, 30, 35, 40 mm
Naglu aptveres ietilpība	100 gab
Izmēri ar BL4025, bez āķa (G x P x A)	265 mm x 86 mm x 243 mm
Nominālais spriegums	Līdzstrāva 36 V–40 V maks.
Tīrsvars	2,6–3,8 kg

- Nepārtrauktās izpētes un izstrādes programmas dēļ šeit uzrādītās specifikācijas var tikt mainītas bez brīdinājuma.
- Specifikācijas un akumulatora kasetne var atšķirties dažādās valstīs.
- Svārs var būt atšķirīgs atkarībā no papildierīces (–ēm), tostarp akumulatora kasetnes. Tabulā ir attēlota vieglākā un smagākā kombinācija atbilstoši EPTA procedūrai 01/2014.

Piemērotā akumulatora kasetne un lādētājs

Akumulatora kasetne	BL4020* / BL4025* / BL4040 / BL4040F / BL4050F / BL4080F *: leteicamais akumulators
Lādētājs	DC40RA / DC40RB / DC40RC / DC40WA / BCC01 / BCC02

- Daži no iepriekš norādītajiem lādētājiem un akumulatora kasetnēm var nebūt pieejami atkarībā no jūsu mītnes reģiona.

▲BRĪDINĀJUMS: Izmantojiet vienīgi iepriekš norādītās akumulatora kasetnes un lādētājus. Cita tipa akumulatora kasetņu un lādētāju izmantošana var radīt traumu un/vai aizdegšanās risku.

Paredzētā lietošana

Darbarīks ir paredzēts iekšējai apdares stiprinājumiem un darbam ar mēbelēm.

Trokšņa līmenis

Tipiskais A svērtais trokšņa līmenis noteikts saskaņā ar EN60745-2-16:

Skaņas spiediena līmeni (L_{pA}): 81 dB (A)

Skaņas jaudas līmeni (L_{WA}): 92 dB (A)

Mainīgums (K): 3 dB (A)

PIEZĪME: Paziņotā trokšņa emisijas vērtība noteikta atbilstoši standarta pārbaudes metodei, un to var izmantot, lai salīdzinātu vienu darbarīku ar citu.

PIEZĪME: Paziņoto trokšņa emisijas vērtību arī var izmantot iedarbības sākotnējā novērtējumā.

▲BRĪDINĀJUMS: Lietojiet ausu aizsargus.

▲BRĪDINĀJUMS: Trokšņa emisija patiesos darba apstākļos var atšķirties no paziņotās vērtības atkarībā no darbarīka izmantošanas veida un jo īpaši atkarībā no apstrādājamā materiāla veida.

▲BRĪDINĀJUMS: Lai aizsargātu lietotāju, nosakiet drošības pasākumus, kas pamatoti ar iedarbību reālos darba apstākļos (ņemot vērā visus ekspluatācijas cikla posmus, piemēram, laiku, kamēr darbarīks ir izslēgts un kad darbojas tukšgaitā, kā arī palaides laiku).

Vibrācija

Vibrācijas kopējā vērtība noteikta atbilstoši EN60745-2-16:

Vibrācijas izmēte (a_h): 2,5 m/s² vai mazāk
Mainīgums (K): 1,5 m/s²

PIEZĪME: Paziņotā kopējā vibrācijas vērtība noteikta atbilstoši standarta pārbaudes metodei, un to var izmantot, lai salīdzinātu vienu darbarīku ar citu.

PIEZĪME: Paziņoto kopējo vibrācijas vērtību arī var izmantot iedarbības sākotnējā novērtējumā.

▲BRĪDINĀJUMS: Vibrācijas emisija patiesos darba apstākļos var atšķirties no paziņotās vērtības atkarībā no darbarīka izmantošanas veida un jo īpaši atkarībā no apstrādājamā materiāla veida.

▲BRĪDINĀJUMS: Lai aizsargātu lietotāju, nosakiet drošības pasākumus, kas pamatoti ar iedarbību reālos darba apstākļos (ņemot vērā visus ekspluatācijas cikla posmus, piemēram, laiku, kamēr darbarīks ir izslēgts un kad darbojas tukšgaitā, kā arī palaides laiku).

Atbilstības deklarācijas

Tikai Eiropas valstīm

Atbilstības deklarācijas šajā lietošanas rokasgrāmatā ir iekļautas kā A pielikums.

DROŠĪBAS BRĪDINĀJUMI

Vispārīgi elektrisko darbarīku drošības brīdinājumi

▲BRĪDINĀJUMS Izlasiet visus drošības brīdinājumus, norādījumus un tehniskos datus un izpētiet ilustrācijas, kas iekļautas šā elektriskā darbarīka komplektā. Neievērojot visus tālāk minētos noteikumus, iespējams elektriskās strāvas trieciena, aizdegšanās un/vai smagu traumu risks.

Glabājiet visus brīdinājumus un norādījumus, lai varētu tajos ieskatīties turpmāk.

Termins „elektrisks darbarīks” brīdinājumos attiecas uz tādu elektrisko darbarīku, ko darbina ar elektrību (ar vadu), vai tādu, ko darbina ar akumulatoru (bez vada).

Drošības brīdinājumi bezvadu tapotāja lietošanai

1. **Vienmēr uzskatiet, ka darbarīkā atrodas stiprinājumi.** Neuzmanīga apiešanās ar tapotāju var izraisīt negaidītu stiprinājumu izšaušanu un cilvēku savainojumus.
2. **Nevērsiet darbarīku pret sevi un pret citiem.** Nejauša nospiešana izšaus stiprinājumu, radot traumu.
3. **Neieslēdziet darbarīku, kamēr tas nav stingri piespiests apstrādājamam materiālam.** Ja darbarīks nesaskaras ar apstrādājamo materiālu, stiprinājums var atlēkt no mērķa.
4. **Atvienojiet darbarīku no strāvas avota, ja stiprinājums iesprūdis darbarīkā.** Iesprūduša stiprinājuma izņemšanas laikā tapotājs var tikt netīšām iedarbināts, ja tas ir pievienots elektroapgādes avotam.
5. **Izņemot iesprūdušu stiprinājumu, rīkojieties piesardzīgi.** Mehānisms var būt zem spiediena, un, mēģinot atbrīvot iesprūdušu stiprinājumu, stiprinājums var tikt ar spēku izgrūsts.
6. **Neizmantojiet tapotāju elektrisko kabeļu piestiprināšanai.** Tas nav paredzēts elektrisko kabeļu uzstādīšanai un var sabojāt elektrisko kabeļu izolāciju, radot elektriskās strāvas trieciena vai aizdegšanās risku.
7. **Turiet rokas un kājas drošā attālumā no izvades atveres.**
8. **Ievērojiet norādījumus par eļļošanu un piederumu maiņu.**
9. **Pirms stiprinājumu ievietošanas, regulēšanas, pārbaudes, apkopes vai pēc darba veikšanas vienmēr izņemiet akumulatora kaseti.**
10. **Pirms darba sākuma pārliecinieties, ka tuvumā nav cilvēku.** Nekad nedzeniet stiprinājumus vienlaikus gan sienas iekšpusē, gan ārpusē. Stiprinājumi var izkļūt cauri darba virsmai un/vai izlidot, radot nopietnu apdraudējumu.
11. **Izmantojot šo darbarīku, ir svarīgi saglabāt līdzsvaru un stabilitāti pamatu zem kājām.** Ja lietojat darbarīku augstumā, pārliecinieties, ka

apakšā nav cilvēku.

12. **Nekad neizmantojiet stiprinājumu darbarīkus, kas marķēti ar simbolu “Neizmantojiet uz sastatnēm, kāpnēm” šādos gadījumos:**
 - ja, pārvietojoties no vienas vietas uz citu, ir jāizmanto sastatnes, trepes, kāpnes vai kāpnēm līdzīgas konstrukcijas, piemēram, jumta lats;
 - lai noslēgtu kastes vai režģus;
 - lai ierīkotu pārvadāšanas drošības sistēmas, piemēram, transportlīdzekļos vai vagonos.
13. **Rūpīgi pārbaudiet sienas, grīdas un tamlīdzīgas vietas, lai novērstu elektrotraumu, gāzes noplūdes, sprādzienu un citu apdraudējumu iespējamību, ko var izraisīt zem sprieguma esošu vadu, cauruļvadu vai gāzes cauruļu aizķeršana ar skavu.**
14. **Izmantojiet tikai tādas stiprinājumus, kas norādīti šajā rokasgrāmatā.** Citu stiprinājumu lietošana var izraisīt darbarīka nepareizu darbību.
15. **Nekādā gadījumā nemēģiniet izjaukt darbarīku un neizmantojiet to citam nolūkam kā vien stiprinājumu iedzišanai.**
16. **Nelietojiet darbarīku bez stiprinājumiem.** Tādējādi tiek saīsināts darbarīka darbūdzs.
17. **Nekavējoties pārtrauciet skavu dzīšanu, ja konstatējat, ka darbarīks nedarbojas pareizi.**
18. **Nekad nedzeniet stiprinājumus materiālos, kurus stiprinājums varētu caursist un izlidot tiem cauri kā šāviņš.**
19. **Nekad vienlaicīgi nespiediet slēdža mēlīti un saskares elementu, ja neesat gatavs nostiprināt apstrādājamo materiālu.** Ļaujiet, lai saskares elements nospiežas pret materiālu. Nekad nemainiet saskares elementa paredzēto nolūku, nostiprinot to iespēstā stāvoklī vai spiežot ar roku.
20. **Nekādā gadījumā nemēģiniet izjaukt saskares elementu.** Regulāri pārbaudiet saskares elementa pareizu darbību.
21. **Kad darbarīku neizmantojat, izņemiet no tā stiprinājumus.**

SAGLABĀJIET ŠOS NORĀDĪJUMUS.

▲BRĪDINĀJUMS: NEPIEĻAUJIET to, ka labu iemaņu vai izstrādājuma labas pārzināšanas (darbarīku atkārtoti ekspluatējot) rezultātā vairs stingri neievērojat šī izstrādājuma drošības noteikumus. NEPAREIZI LIETOJOT darbarīku vai neievērojot šajā instrukciju rokasgrāmatā minētos drošības noteikumus, var tikt gūtas smagas traumas.

Svarīgi drošības norādījumi par akumulatora kasetni

1. **Pirms akumulatora lietošanas izlasiet visus norādījumus un brīdinājumus, kuri attiecas uz (1) akumulatora lādētāju, (2) akumulatoru un (3) ierīci, kurā tiek izmantots akumulators.**
2. **Akumulatora kasetni nedrīkst ne pārveidot, ne izjaukt.** Citādi var tikt izraisīta aizdegšanās,

pārmērīgs karstums vai sprādziens.

3. Ja akumulatora darbības laiks kļūva ievērojami īsāks, nekavējoties pārtrauciet to izmantot. Citādi, tas var izraisīt pārkaršējumu, uzliesmojumu vai pat sprādzienu.
4. Ja elektrolīts nonāk acīs, izskalojiet tās ar tīru ūdens un nekavējoties griezieties pie ārsta. Tas var izraisīt redzes zaudēšanu.
5. Neradiet īssavienojumu akumulatora kasetnē:
 - (1) Nepieskarieties spaiļēm ar elektrību vadošiem materiāliem.
 - (2) Neuzglabājiet akumulatoru kasetni kopā ar citiem metāla priekšmetiem, tādiem kā naglas, monētas u. c.
 - (3) Nepakļaujiet akumulatora kasetni ūdens vai lietus iedarbībai.

Akumulatora īssavienojums var radīt spēcīgu strāvas plūsmu, pārkaršanu, uzliesmojumu un pat sabojāt akumulatoru.

6. Neglabājiet un neizmantojiet darbarīku un akumulatora kasetni vietās, kur temperatūra var sasniegt vai pārsniegt 50 °C (122 °F).
7. Nededziniet akumulatora kasetni, pat ja tā ir stipri bojāta vai pilnībā nolietota. Akumulatora kasetne ugunī var eksplodēt.
8. Akumulatora kasetni nedrīkst naglot, griezt, saspīst, mest vai nomet, kā arī pa to nedrīkst sist ar cietu priekšmetu. Šādas darbības var izraisīt aizdegšanos, pārmērīgu karstumu vai sprādzienu.
9. Neizmantojiet bojātu akumulatoru.
10. Uz izmantotajiem litija jonu akumulatoriem attiecas likumdošanas prasības par bīstamiem izstrādājumiem.

Komerציālā transportēšanā, ko veic, piemēram, trešās puses, transporta uzņēmumi, jāievēro uz iesaiņojuma un marķējuma norādītās īpašās prasības.

Lai izstrādājumu sagatavotu nosūtīšanai, jāsaizina ar bīstamo materiālu speciālistu. Ievērojiet arī citus attiecināmos valsts normatīvus.

Valējus kontaktus nosedziet ar līmlenti vai citādi pārklājiet, bet akumulatoru iesaiņojiet tā, lai saīni tas nevarētu izkustēties.
11. Lai utilizētu akumulatora kasetni, izņemiet to no darbarīka un likvidējiet drošā vietā. Ievērojiet vietējos noteikumus par akumulatora likvidēšanu.
12. Izmantojiet šos akumulatorus tikai ar izstrādājumiem, kurus norādījis Makita. Ievietojot šos akumulatorus nesaderīgus izstrādājumos, var rasties ugunsgrēks, pārmērīgs karstums, tie var uzsprāgt vai no tiem var iztecēt elektrolīts.
13. Ja darbarīks netiks lietots ilgu laiku, no tā jāizņem akumulators.
14. Lietošanas laikā vai pēc tās akumulatora kasetne var uzkrāt siltumu, kas var izraisīt apdegumus vai zemas temperatūras apdegumus. Ar karstu akumulatora kasetni apejieties rūpīgi.
15. Nepieskarieties darbarīka izvadam uzreiz pēc lietošanas, jo tas var būt sakarsis un izraisīt apdegumus.
16. Neļaujiet akumulatora kasetnes spaiļēs,

atverēs un rievās uzkrāties skaidām, putekļiem vai netīrumiem. Tas var izraisīt sasilšanu, aizdegšanos, sprādzienu un instrumenta vai akumulatora kasetnes nepareizu darbību, un lietotājs var gūt apdegumus vai ievainojumus.

17. Neizmantojiet akumulatora kasetni augstsprieguma līniju tuvumā, izņemot gadījumus, kad darbarīks ir piemērots lietošanai augstsprieguma līniju tuvumā. Citādi darbarīks vai akumulatora kasetne var sākt darboties nepareizi vai tikt sabojāti.
18. Glabājiet akumulatoru bērniem nepieejamā vietā.

SAGLABĀJIET ŠOS NORĀDĪJUMUS.

⚠UZMANĪBU: Lietojiet tikai oriģinālos Makita akumulatorus. Ja lietojat neoriģinālus Makita akumulatorus vai pārveidotus akumulatorus, tie var uzsprāgt un izraisīt aizdegšanos, traumas un materiālos zaudējumus. Tīks anulēta arī Makita darbarīka un lādētāja garantija.

Ieteikumi akumulatora kalpošanas laika pagarināšanai

1. Uzlādējiet akumulatora kasetni, pirms tā ir pilnībā izlādējusies. Vienmēr, kad ievērojat, ka darbarīka darba jauda zudusi, apturiet darbarīku un uzlādējiet akumulatora kasetni.
2. Nekad neuzlādējiet pilnībā uzlādētu akumulatora kasetni. Pārmērīga uzlāde saīsina akumulatora kalpošanas laiku.
3. Uzlādējiet akumulatora kasetni istabas temperatūrā 10 °C - 40 °C. Karstai akumulatora kasetnei pirms uzlādes ļaujiet atdzist.
4. Kad akumulatora kasetne netiek izmantota, izņemiet to no darbarīka vai lādētāja.
5. Uzlādējiet litija jonu akumulatora kasetni, ja to ilgstoši nelietosit (vairāk nekā sešus mēnešus).

FUNKCIJU APRAKSTS

⚠UZMANĪBU: Pirms darbarīka regulēšanas vai tā darbības pārbaudes vienmēr pārlicinieties, ka darbarīks ir izslēgts un akumulatora kasetne ir izņemta.

Akumulatora kasetnes uzstādīšana un izņemšana

⚠UZMANĪBU: Vienmēr pirms akumulatora kasetnes uzstādīšanas vai noņemšanas izslēdziet darbarīku.

⚠UZMANĪBU: Uzstādot vai izņemot akumulatora kasetni, darbarīku un akumulatora kasetni turiet cieši. Ja darbarīku un akumulatora kasetni netur cieši, tie var izkrist no rokām un radīt bojājumus darbarīkam un akumulatora kasetnei, kā arī izraisīt ievainojumus.

Lai uzstādītu akumulatora kasetni, salāgojiet akumulatora kasetnes mēlīti ar rievu ietvarā un iebīdīet to vietā. Ievietojiet to līdz galam, līdz tā ar klikšķi nofiksējas. Ja redzams attēlā parādītais sarkanais krāsas indikators, tas nozīmē, ka tas nav pilnīgi nofiksēts.

Lai izņemtu akumulatora kasetni, izvelciet to no darbarīka, pārbindot kasetnes priekšpusē esošo pogu.

► **Att.1:** 1. Sarkanais krāsas indikators 2. Poga
3. Akumulatora kasetne

⚠UZMANĪBU: Vienmēr ievietojiet akumulatora kasetni tā, lai sarkanais indikators nebūtu redzams. Pretējā gadījumā tā var nejausi izkrist no darbarīka un izraisīt jums vai apkārtējiem traumas.

⚠UZMANĪBU: Neievietojiet akumulatora kasetni ar spēku. Ja kasetne neslīd ietvarā viegli, tā nav pareizi ielikta.

Darbarīka/akumulatora aizsardzības sistēma

Darbarīkam ir darbarīka/akumulatora aizsardzības sistēma. Šī sistēma automātiski izslēdz strāvas padevi motoram, lai pagarinātu darbarīka un akumulatora darbību. Lietošanas laikā darbarīks automātiski pārstās darboties, ja darbarīku vai akumulatoru pakļaus kādam no šādiem apstākļiem.

Aizsardzība pret pārslodzi

Ja darbarīku/akumulatoru lieto tā, ka tas patērē pārmērīgi lielu strāvas daudzumu, darbarīks automātiski, bez iepriekšēja brīdinājuma pārstāj darboties. Šādā gadījumā izslēdziet darbarīku un pārtrauciet darbību, kas izraisa ja darbarīka pārslodzi. Tad ieslēdziet darbarīku, lai atsāktu darbu.

Aizsardzība pret pārkaršanu

Kad akumulators ir pārkaris, darbarīks automātiski pārstāj darboties. Šādā gadījumā ļaujiet darbarīkam/akumulatoram atdzist pirms vēlreiz to ieslēgt.


















Aizsardzība pret akumulatora pārmērīgu izlādi

Ja akumulatora jaudas līmenis ir zems, darbarīks automātiski pārstāj darboties. Šajā gadījumā akumulatoru izņemiet no darbarīka un uzlādējiet.

Atlikušās akumulatora jaudas indikators

Nospiediet akumulatora kasetnes pārbaudes pogu, lai pārbaudītu akumulatora atlikušo uzlādes līmeni. Indikatori iedegsies uz dažām sekundēm.

► **Att.2:** 1. Indikatora lampas 2. Pārbaudes poga

Indikatora lampas			Atlikušā jauda
 Iededzies	 Izslēgts	 Mirgo	
			No 75% līdz 100%
			No 50% līdz 75%
			No 25% līdz 50%
			No 0% līdz 25%
			Uzlādējiet akumulatoru.
			Iespējama akumulatora kļūme.
			

PIEZĪME: Reālā jauda var nedaudz atšķirties no norādītās atkarībā no lietošanas apstākļiem un apkārtējās temperatūras.

PIEZĪME: Akumulatora aizsardzības sistēmas darbības laikā mirgo pirmais (kreisais malējais) indikators.

Mēlītes bloķēšanas poga

⚠UZMANĪBU: Pirms akumulatora kasetnes uzstādīšanas darbarīkā vienmēr pārbaudiet, vai slēdža mēlīte darbojas pareizi un pēc atlaišanas atgriežas stāvoklī „OFF” (Izslēgts).

⚠UZMANĪBU: Ja darbarīku neizmantojat, vienmēr nospiediet mēlītes bloķēšanas pogu B pusē, lai bloķētu slēdža mēlīti stāvoklī OFF (Izslēgts).

► **Att.3:** 1. Mēlītes bloķēšanas poga 2. Slēdža mēlīte

► **Att.4**

Lai nepieļautu slēdža mēlītes nejašu nospiešanu, darbarīkam ir mēlītes bloķēšanas poga.

Lai nospiestu slēdža mēlīti, nospiediet mēlītes bloķēšanas pogu A pusē.

Pēc lietošanas, vienmēr iespiediet mēlītes bloķēšanas pogu no B puses.

Naglošanas dziļuma regulēšana

⚠BRĪDINĀJUMS: Vienmēr pirms tapošanas dziļuma regulēšanas pārliecinieties, ka jūsu pirktā neatrodas uz slēdža mēlītes vai saskares elementa un akumulatora kasetne ir izņemta.

Naglotājam var regulēt naglošanas dziļumu, pagriežot regulētāju uz darbarīka. Nagla tiek iedzīta dziļāk,

pagriežot regulatoru attēlā redzamajā A virzienā, un
seklāk – B virzienā, diapazonā līdz 2,5 mm.

► **Att.5:** 1. Regulētājs

► **Att.6:** 1. Pārāk dziļi 2. Pareizais dziļums 3. Pārāk
sekli

Lampas ieslēgšana

UZMANĪBU: Neskatieties gaismā, neļaujiet
tās avotam iespīdēt acīs.

Nospiediet slēdža mēlīti vai iedarbiniet saskares
elementu, lai ieslēgtu lampu. Kamēr slēdža mēlīte
nospiesta vai saskares elements iedarbināts, lampa
deg līdz pat 60 sekundēm. Apmēram 10 sekundes pēc
slēdža mēlītes atlaišanas un saskares elementa izslēg-
šanas lampa nodziest.

► **Att.7:** 1. Lampa

IEVĒRĪBAI: Ar sausu lupatiņu noīriet neīrumus no
lampas lēcas. Izvairieties saskrāpēt lampas lēcu, jo
tādējādi tiek samazināts apgaismojums.

IEVĒRĪBAI: Arī tad, ja lampa iedegas, kad akumu-
latora uzlādes līmenis ir zems, naglotājs var neizšaut
naglas. Šādā gadījumā uzlādējiet akumulatora
kasetni.

IEVĒRĪBAI: Kad darbarīks pārkarst, mirgo gaisma.
Šādā gadījumā atlaidiet slēdža mēlīti un kontaktele-
mentu un pēc tam atzdesējiet darbarīku/akumulatoru
pirms atkārtotas darbības.

IEVĒRĪBAI: Ja naglotājs naglas dzišanas laikā
konstatē kļūdu, lampa sāk mirgot. Šādā gadījumā
nogādājiet naglotāju rūpnīcas apkopes centrā.

MONTĀŽA

UZMANĪBU: Pirms jebkādu darbību veikša-
nas ar naglotāju pārliecinieties, ka jūsu pirksti
neatrodas uz slēdža mēlītes vai ka kontaktele-
menta un akumulatora kasetne ir izņemta.

Naglu ievietošana vai izņemšana

UZMANĪBU: Pirms naglu ievietošanas vien-
mēr pārliecinieties, ka jūsu pirksti neatrodas uz
mēlītes un ka akumulatora kasetne ir izņemta.

UZMANĪBU: Strauji nevirziet naglotāja
bīdāmo vāku, kad tajā iepildītas naglas. Nejauši
krītošas naglas, jo sevišķi strādājot augstu esošās
vietās, var izraisīt traumas.

UZMANĪBU: Ievietojiet naglas pareizajā
virzienā. Ievietošana nepareizā virzienā var izrai-
sīt uzgaļa pāragru nolietošanu un citu detaļu
bojājumus.

UZMANĪBU: Nelietojiet deformētas naglu len-
tes. Izmantojiet šajā rokasgrāmatā norādītās naglas.
Šajā rokasgrāmatā nenorādītu naglu izmantošana var
izraisīt naglu iestrēgšanu un naglotāja bojājumus.

bīdāmo vāku.

► **Att.8:** 1. Fiksēšanas svira 2. Bīdāmais vāks
3. Aptveres

2. Uzstādiet naglu lenti tā, lai naglu uzgaļi pieskar-
tos aptveres apakšdaļai un bīdītu naglu lenti dzišanas
vadotnes virzienā.

► **Att.9:** 1. Naglas 2. Bīdāmais vāks 3. Dzišanas
vadotne

3. Virziet bīdāmo vāku sākotnējās pozīcijas virzienā,
līdz to nofiksē fiksēšana svira.

Lai izņemtu naglas, nospiediet fiksēšana sviru un pavir-
ziet bīdāmo vāku. Izņemiet naglas no aptveres.

Uzgaļa pāreja

UZMANĪBU: Vienmēr pirms uzgaļa pārejas
uzstādīšanas pārliecinieties, ka jūsu pirksti neat-
rodas uz slēdža mēlītes vai saskares elementa un
akumulatora kasetne ir izņemta.

Kad izšaujāt naglas uz viegli bojājamu virsmu, izmanto-
jiet uzgaļa pāreju. Novietojiet pāreju uz dzišanas vadot-
nes smailā gala.

Jūs varat glabāt uzgaļa pāreju turētājā, kas atrodas
aptveres galā, lai pasargātu to no pazušanas.

► **Att.10:** 1. Uzgaļa pāreja 2. Dzišanas vadotne
3. Turētājs

Āķis

UZMANĪBU: Uzstādot āķi, vienmēr cieši pie-
stipriniet to ar skrūvi. Citādi āķis var atdalīties no
darbarīka, izraisot traumu.

UZMANĪBU: Piekaramās/stiprinājuma daļas
izmantojiet tikai to paredzētajiem mērķiem.

Izmantojot citiem mērķiem, var radīt nelaimes gadī-
jumu vai traumu.

UZMANĪBU: Nekarīniet āķi aiz jostas. Ja āķis
nejauši atvienojas un naglotājs nokrīt, naglas var
nejauši izšauties un izraisīt traumas.

► **Att.11**

Āķis ir noderīgs darbarīka īslaicīgai uzkarināšanai. To
var uzstādīt jebkurā darbarīka pusē.

Lai uzstādītu āķi, ievietojiet to rievā jebkurā darbarīka
korpusa pusē, un tad ar skrūvi pieskrūvējiet. Lai to
izņemtu, atlaidiet skrūvi un izņemiet.

► **Att.12:** 1. Rieva 2. Āķis 3. Skrūve

Sešstūru uzgriežņu atslēgas glabāšana

Kad sešstūru uzgriežņu atslēga netiek lietota, glabājiet
to, kā parādīts, lai atslēgu nepazaudētu.

► **Att.13:** 1. Sešstūru uzgriežņu atslēga

1. Nospiediet fiksēšanas sviru un atveriet aptveres

EKSPLUATĀCIJA

Drošības sistēmas pārbaude

▲BRĪDINĀJUMS: Pirms darba sākšanas pārlicinieties, ka visas drošības sistēmas ir darba kārtībā. Pretējā gadījumā var rasties trauma.

- **Att.14:** 1. Mēlītes bloķēšanas poga 2. Slēdža mēlīte 3. Saskaures elements 4. Aptverē

Pirms darba sākšanas pārbaudiet, vai drošības sistēmās nav radušās kļūmes, izpildot tālākos norādījumus.

1. Izņemiet naglas no darbarīka un atstājiet aptverī atvērtu.
2. Ievietojiet akumulatora kasetni un atbrīvojiet mēlītes bloķēšanas ierīci.
3. Piespiediet slēdža mēlīti, saskaures elementam nepieskaroties materiālam.
4. Pieskarieties saskaures elementu materiālam, nospiežot slēdža mēlīti.

Ja darbarīks darbojas gadījumos, kas minēti 3. vai 4. punktā, drošības sistēmās ir kļūmes. Nekavējoties pārtrauciet darbarīka lietošanu un sazinieties ar vietējo klientu apkalpošanas centru.

Naglu dzīšana

▲BRĪDINĀJUMS: Neizmantojiet tapotāju elektrisko kabeļu piestiprināšanai. Tas nav paredzēts elektrisko kabeļu uzstādīšanai un var sabojāt elektrisko kabeļu izolāciju, radot elektriskās strāvas trieciena vai aizdegšanās risku.

▲BRĪDINĀJUMS: Turiet kontakteleментu cieši uz materiāla, līdz nagla ir pilnībā iedzīta. Nejausa izšaušana var izraisīt traumas.

▲UZMANĪBU: Eksploatācijas laikā darbarīku turiet cieši.

1. Atbrīvojiet mēlītes bloķēšanas ierīci.
 2. Novietojiet saskaures elementu uz apstrādājamā materiāla.
 3. Pilnībā nospiediet slēdža mēlīti, lai iedzītu naglu.
 4. Lai iedzītu nākamo naglu, atlaidiet slēdža mēlīti un atkārtojiet iepriekš aprakstīto 2. un 3. darbību.
- **Att.15:** 1. Slēdža mēlīte 2. Saskaures elements

Naglas var dzīt arī šādi: turiet saskaures elementu piespiestu pie materiāla, velciet darbarīku līdz nākamajai iedzīšanai vieta un tad nospiediet slēdža mēlīti.

► **Att.16**

Ja iedzītas naglas galva paliek virs apstrādājamā materiāla virsmas, iedzeniet naglu, stingri turot naglotāja galvu piespiestu pie apstrādājamā materiāla.

► **Att.17**

PIEZĪME: Ja naglas galva joprojām atrodas virs apstrādājamā materiāla virsmas, kaut arī stingri turējāt naglotāja galvu, iespējams, materiāls nav piemērots izmantošanai ar naglotāju. Ja turpināsiet izmantot naglotāju šāda materiāla apstrādei, var tikt bojāts naglotāja uzgalis un/vai var iestrēgt naglas.

Mehānisms, kas novērš lietošanu, kad beigušās skavas

▲BRĪDINĀJUMS: Pirms naglu ievietošanas naglotājā vienmēr pārlicinieties, ka jūsu pirksti neatrodas uz slēdža mēlītes vai ka kontakteleмента un akumulatora kasetne ir izņemta.

Kad visas aptverē esošās naglu lentes ir tukšas, slēdža mēlīti vairs nevar nospiept. Šādā gadījumā ievietojiet aptverē jaunu naglu lenti. Pēc tam slēdža mēlīti atkal varēs nospiept.

Atlikušo naglu daudzuma pārbaude

Atlikušo naglu daudzumu var apskatīt skata lodziņā. Jo tuvāk sarkanās krāsas indikators pietuvojas izšaušanas atverei, jo mazāk naglu ir palicis.

► **Att.18:** 1. Skata lodziņš 2. Indikators

Iestrēgušu naglu izņemšana

▲BRĪDINĀJUMS: Pirms iestrēgušu naglu izņemšanas vienmēr pārlicinieties, ka mēlīte ir atlaista un ka akumulatora kasetne un naglas ir izņemtas.

▲UZMANĪBU: Neizņemiet iestrēgušas naglas ar kailām rokām. Nagla var izšauties no aptveres un radīt traumas.

Ar sešstūra atslēgu izskrūvējiet sešstūra bulvskrūves no dzīšanas vadotnes.

Izņemiet iestrēgušas naglas no naglu vadotnes rievās, izmantojot plakangala skrūvgriezi.

Piestipriniet dzīšanas vadotni ar sešstūra bulvskrūvēm.

► **Att.19:** 1. Dzīšanas vadotne 2. Sešstūra bulvskrūve

PIEZĪME: Pēc dzīšanas vadotnes uzstādīšanas vienmēr pārlicinieties, vai tā darbojas pareizi. Ja tā nedarbojas pareizi, izskrūvējiet sešstūra bulvskrūves un uzstādi dzīšanas vadotni vēlreiz.

APKOPE

▲UZMANĪBU: Pirms darbarīka pārbaudes vai apkopes vienmēr pārlicinieties, ka darbarīks ir izslēgts un akumulatora kasetne ir izņemta.

IEVĒRĪBAI: Nekad neizmantojiet gazoļinu, benzīnu, atšķaidītāju, spirtu vai līdzīgus šķidrumus. Tas var radīt izbalēšanu, deformāciju vai plaisas.

Lai saglabātu izstrādājuma DROŠU un UZTICAMU darbību, remontdarbus, apkopi un regulēšanu uzticiet veikt

tikai Makita pilnvarotam vai rūpnīcas apkopes centram, un vienmēr izmantojiet tikai Makita rezerves daļas.

Dzīšanas vadotnes maiņa

Papildpiederums

Nomainiet standarta aprīkojumā iekļauto dzīšanas vadotni ar papildu dzīšanas vadotni, kas labāk piemērota stūra līstes stiprināšanai.

1. Ar sešstūra atslēgu izskrūvējiet sešstūra bultskrūves no dzīšanas vadotnes.

► **Att.20:** 1. Sešstūru bultskrūve

2. Pavelciet uz leju standarta aprīkojumā iekļauto dzīšanas vadotni.

► **Att.21:** 1. Dzīšanas vadotnes standarta aprīkojums

3. Uzstādiēt papildu dzīšanas vadotni, virzot to uz augšu vadotnes atverē.

► **Att.22:** 1. Papildu dzīšanas vadotne 2. Vadotnes atvere

4. Piestipriniet papildu dzīšanas vadotni ar sešstūra bultskrūvēm.

► **Att.23:** 1. Sešstūru bultskrūve

PAPILDU PIEDERUMI

⚠UZMANĪBU: Šādi piederumi un papildierīces tiek ieteiktas lietošanai ar šajā rokasgrāmatā aprakstīto Makita darbarīku. Izmantojot citus piederumus vai papildierīces, var tikt radīta traumu gūšanas bīstamība. Piederumu vai papildierīci izmantojiet tikai paredzētajam mērķim.

Ja jums vajadzīga palīdzība vai precīzāka informācija par šiem piederumiem, vērsieties savā tuvākajā Makita apkopes centrā.

- Naglas
- Dzīšanas vadotne (stūra līstes stiprināšanai)
- Makita oriģinālais akumulators un lādētājs

PIEZĪME: Daži sarakstā norādītie izstrādājumi var būt iekļauti instrumenta komplektācijā kā standarta piederumi. Tie dažādās valstīs var būt atšķirīgi.

SPECIFIKACIJOS

Modelis:	FN001G
Vinies dydis	18Ga x 15, 20, 25, 30, 35, 40 mm
Vinių dėtuvių talpa	100 vnt.
Matmenys su BL4025, be kablo (l x P x A)	265 mm x 86 mm x 243 mm
Vardinė įtampa	Nuol. sr. maks. 36–40 V
Grynasis svoris	2,6–3,8 kg

- Atlikame tęsinius tyrimus ir nuolatos tobuliname savo gaminius, todėl čia pateikiamos specifikacijos gali būti keičiamos be įspėjimo.
- Įvairiose šalyse specifikacijos ir akumuliatoriaus kasetė gali skirtis.
- Svoris gali priklausyti nuo priedo (-ų), įskaitant akumuliatoriaus kasetę. Lengviausias ir sunkiausias deriniai pagal EPTA 2014 m. sausio mėn. procedūrą yra parodyti lentelėje.

Tinkama akumuliatoriaus kasetė ir (arba) įkroviklis

Akumuliatoriaus kasetė	BL4020* / BL4025* / BL4040 / BL4040F / BL4050F / BL4080F *: rekomenduojamas akumuliatorius
Įkroviklis	DC40RA / DC40RB / DC40RC / DC40WA / BCC01 / BCC02

- Atsižvelgiant į gyvenamosios vietos regioną, kai kurios pirmiau nurodytos akumuliatoriaus kasetės ir įkrovikliai gali būti neprieinami.

⚠️ JSPĖJIMAS: Naudokite tik akumuliatoriaus kasetes ir įkroviklius, kurie nurodyti anksčiau. Naudojant bet kurias kitas akumuliatoriaus kasetes ir įkroviklius, gali kilti sužeidimo ir gaisro pavojus.

Numatytoji naudojimo paskirtis

Šis įrankis yra skirtas vidinės apdailos tvirtinimo ir baldų gamybos darbams.

Triukšmas

Įprastas triukšmo A lygis, nustatytas pagal EN60745-2-16:

Garso slėgio lygis (L_{pA}): 81 dB (A)

Garso galios lygis (L_{WA}): 92 dB (A)

Paklaida (K): 3 dB (A)

PASTABA: Paskelbta (-os) triukšmo reikšmė (-ės) nustatyta (-os) pagal standartinį testavimo metodą ir jį galima naudoti vienam įrankiui palyginti su kitu.

PASTABA: Paskelbta (-os) triukšmo reikšmė (-ės) taip pat gali būti naudojama (-os) norint preliminariai įvertinti triukšmo poveikį.

⚠️ JSPĖJIMAS: Dėvėkite ausų apsaugą.

⚠️ JSPĖJIMAS: Faktiškai naudojant elektrinį įrankį, keliamo triukšmo dydis gali skirtis nuo paskelbtos (-ų) reikšmės (-ių), priklausomai nuo būdų, kuriais yra naudojamas šis įrankis, ir ypač nuo to, kokio tipo ruošinys apdirbamas.

⚠️ JSPĖJIMAS: Siekdami apsaugoti operatorių, būtinai įvertinkite saugos priemones, remdamiesi vibracijos poveikio įvertinimu esant faktinėms naudojimo sąlygoms (atsižvelgdami į visas darbo ciklo dalis, pavyzdžiui, ne tik kiek laiko įrankis veikia, bet ir kiek kartų jis yra išjungiamas bei kai jis veikia be apkrovų).

Vibracija

Bendras vibracijos dydis, nustatytas pagal EN60745-2-16:

Vibracijos emisija (a_{hv}): 2,5 m/s² arba mažiau

Paklaida (K): 1,5 m/s²

PASTABA: Paskelbta (-os) vibracijos bendroji (-osios) reikšmė (-ės) nustatyta (-os) pagal standartinį testavimo metodą ir jį galima naudoti vienam įrankiui palyginti su kitu.

PASTABA: Paskelbta (-os) vibracijos bendroji (-osios) reikšmė (-ės) taip pat gali būti naudojama (-os) norint preliminariai įvertinti vibracijos poveikį.

⚠️ JSPĖJIMAS: Faktiškai naudojant elektrinį įrankį, keliamos vibracijos dydis gali skirtis nuo paskelbtos (-ų) reikšmės (-ių), priklausomai nuo būdų, kuriais yra naudojamas šis įrankis, ir ypač nuo to, kokio tipo ruošinys apdirbamas.

⚠️ JSPĖJIMAS: Siekdami apsaugoti operatorių, būtinai įvertinkite saugos priemones, remdamiesi vibracijos poveikio įvertinimu esant faktinėms naudojimo sąlygoms (atsižvelgdami į visas darbo ciklo dalis, pavyzdžiui, ne tik kiek laiko įrankis veikia, bet ir kiek kartų jis yra išjungiamas bei kai jis veikia be apkrovų).

Atitikties deklaracijos

Tik Europos šalims

Atitikties deklaracijos įtrauktos į šios naudojimo instrukcijos A priedą.

SAUGOS ĮSPĖJIMAI

Bendrieji įspėjimai dirbant elektriniais įrankiais

▲ ĮSPĖJIMAS Perskaitykite visus saugos įspėjimus, nurodymus, peržiūrėkite paveikslėlius ir technines sąlygas, pateiktas su šiuo elektriniu įrankiu. Nesilaikant toliau pateiktų nurodymų, galima patirti elektros šoką, sunkų sužalojimą ir (arba) sukelti gaisrą.

Išsaugokite visus įspėjimus ir instrukcijas, kad galėtumėte jas peržiūrėti ateityje.

Terminas „elektrinis įrankis“ pateiktuose įspėjimuose reiškia į maitinimo tinklą jungiamą (laidinį) elektrinį įrankį arba akumulatoriaus maitinamą (belaidį) elektrinį įrankį.

Saugos įspėjimai dėl belaidžio kaltuvo naudojimo

1. **Elkitės taip, tarsi įrankyje visada būtų tvirtinimo elementų.** Neatsargus darbas su kaltuvu gali baigtis netikėtu segtukų iššovimu ir kūno sužalojimais.
2. **Nenukreipkite įrankio į save ar kitus šalia esančius žmones.** Netikėtai paspaudus gaiduką, bus iššautas tvirtinimo elementas, o tai gali sukelti sužalojimą.
3. **Įrankį įjunkite tik tada, kai jis gerai prispaustas prie ruošinio.** Jei įrankis neličia ruošinio, tvirtinimo elementas gali nukrypti nuo taikinio.
4. **Atjunkite įrankį nuo maitinimo šaltinio, jei jame įstrigo tvirtinimo elementų.** Jei paliksite kaltuvą įjungtą, išimant įstrigusį segtuką, kaltuvas gali netikėtai iššauti.
5. **Išimdami įstrigusį tvirtinimo elementą, būkite labai atsargūs.** Mechanizmas gali veikti slėgis, o mėginant išimti įstrigusį tvirtinimo elementą, jis gali būti iššautas didele jėga.
6. **Nenaudokite šio kaltuvo elektros kabeliams tvirtinti.** Jis neskirtas elektros kabeliams montuoti ir gali pažeisti elektros kabelių izoliaciją, todėl kelia elektros smūgio arba gaisro pavojų.
7. **Rankas ir kojas laikykite kuo toliau nuo išstūmimo angos vietos.**
8. **Laikykites instrukcijoje pateiktų nurodymų dėl tepimo ir priedų keitimo.**
9. **Prieš dėdami tvirtinimo elementus, reguliuodami, tikrindami ar prižiūrėdami, taip pat baigę darbą, būtina išimkite akumulatoriaus kasetę.**
10. **Prieš pradėdami darbą įsitinkite, kad šalia nieko nėra.** Jokiu būdu nemėginkite vienu metu kalti tvirtinimo elementų ir iš vidinės, ir iš išorinės sienos pusių. Tvirtinimo elementai gali perėjsti kiaurai ir (arba) išlėkti, sukeldami didelį pavojų.
11. **Dirbdami įrankiu, atkreipkite dėmesį į savo stovėseną ir pusiausvyrą.** Jei naudojate įrankį aukštai, įsitinkite, ar apačioje nėra žmonių.
12. **Jei ant tvirtinimo elementų įsukimo įrankio yra simbolis „Nenaudokite ant pastolių, kopėčių“,**

nenaudokite jo tokiose vietose, pvz.:

- jei, pereinant iš vienos darbo vietos į kitą, reikia naudotis pastoliais, laipteliais, kopėčiomis arba panašiomis konstrukcijomis, pvz., stogo grebėstais;
 - dėžėms uždaryti;
 - transportavimo saugos sistemoms tvirtinti, pvz., transporto priemonėse ar vagonuose.
13. **Kruopščiai patikrinkite sienas, lubas, grindis, stogo dangą ir pan., kad išvengtumėte galimo elektros smūgio, dujų nuotėkio, sproginimo ir pan., kuriuos gali sukelti kabių įkalimas į veikiančius laidus, kanalus ar dujų vamzdžius.**
 14. **Naudokite tik šioje instrukcijoje nurodytus tvirtinimo elementus.** Naudojant kitus tvirtinimo elementus, gali sutrikti įrenginio veikimas.
 15. **Nekeiskite įrankio ir naudokite jį tik kabėms kalti.**
 16. **Nenaudokite įrankio, kai jame nėra tvirtinimo elementų.** Kitaip sutrumpinsite įrankio eksploataciją.
 17. **Pastebėję įrankyje ką nors blogo ar neįprasto, tučtuojau nutraukite darbą.**
 18. **Nekalkite į medžiagas, kurias kabės gali pradurti kiaurai ir pralėkti kaip šoviniai.**
 19. **Jokiu būdu nejunkite gaiduko ir kontaktinio elemento vienu metu, kol nesate pasirengę kalti segtukų į ruošinius.** Kontaktinį elementą turi nuspausti ruošinys. Nekeiskite jo paskirties, užfiksuodami kontaktinį elementą į galinę padėtį arba nuspausdami jį ranka.
 20. **Nekeiskite kontaktinio elemento.** Dažnai tikrinkite, ar kontaktinis elementas veikia tinkamai.
 21. **Visada išimkite segtukus iš įrankio, jeigu jo nenaudojate.**

SAUGOKITE ŠIAS INSTRUKCIJAS.

▲ ĮSPĖJIMAS: NELEISKITE, kad patogumas ir gaminio pažinimas (gyjamas pakartotinai naudojant) susilpnintų griežtą saugos taisyklių, taikytinų šiam gaminiui, laikymąsi. Dėl NETINKAMO NAUDOJIMO arba saugos taisyklių, kurios pateiktos šioje instrukcijoje, nesilaikymo galima rimtai susižeisti.

Svarbios saugos instrukcijos, taikomos akumulatoriaus kasetei

1. **Prieš naudodami akumulatoriaus kasetę, perskaitykite visas instrukcijas ir perspėjimus ant (1) akumuliatorių įkroviklio, (2) akumuliatorių ir (3) akumuliatorių naudojančio gaminio.**
2. **Neardykite ir negadinkite akumulatoriaus kasetės.** Dėl to ji gali užsidegti, per daug įkaisti arba sprogti.
3. **Jei įrankio darbo laikas žymiai sutrumpėjo, nedelsdami nutraukite darbą su įrankiu.** Tai gali kelti perkaitimo, nudegimų ar net sproginimo pavojų.
4. **Jei elektrolitas pateko į akis, plaukite jas tyru vandeniu ir nedelsdami kreipkitės į gydytoją.** Gali kilti regėjimo praradimo pavojus.

5. **Neužtrumpinkite akumulatoriaus kasetės:**
 - (1) Nelieskite kontaktų degiomis medžiagomis.
 - (2) Venkite laikyti akumulatoriaus kasetę kartu su kitais metaliniais daiktais, pavyzdžiui, vinimis, monetomis ir pan.
 - (3) Saugokite akumulatoriaus kasetę nuo vandens ir lietaus.

Trumpasis jungimas akumulatoriuje gali sukelti stiprią srovę, perkaitimą, galimus nudegimus ar net akumulatoriaus gedimą.

6. Nelaiykite ir nenaudokite įrankio ir akumulatoriaus kasetės vietose, kur temperatūra gali pasiekti ar viršyti 50 °C (122 °F).
7. Nedeginkite akumulatoriaus kasetės, net jei yra stipriai pažeista ar visiškai susidėvėjusi. Ugnyje akumulatoriaus kasetė gali sprogti.
8. Akumulatoriaus kasetės nekalkite, nepjaustykite ir nemėtykite ir taip pat į ją netrankykite kietu daiktu. Taip elgiantis, ji gali užsidegti, per daug įkaisti arba sprogti.
9. Nenaudokite pažeisto akumulatoriaus.
10. Įdėtoms ličio jonų akumulatoriams taikomi Pavojingų prekių teisės akto reikalavimai. Komeracinis transportas, pvz., trečiųjų šalių, prekių vežimo atstovų, turi laikytis specialaus reikalavimo ant pakuotės ir ženklavimo. Norėdami paruošti siųstiną prekę, pasitarkite su pavojingų medžiagų specialistu. Be to, laikykitės galimai išsamesnių nacionalinių reglamentų. Užklijuokite juosta arba padenkite atvirus kontaktus ir supakuokite akumuliatorių taip, kad ji pakuotėje nejudėtų.
11. Kai išmetate akumulatoriaus kasetę, išimkite ją iš įrankio ir išmeskite saugioje vietoje. Vadovaukitės vietos reglamentais dėl akumuliatorių išmetimo.
12. Baterijas naudokite tik su „Makita“ nurodytais gaminiais. Baterijas įdėjus į netinkamus gaminius gali kilti gaisras, gaminys pernelyg įkaisti, kilti sprogimas arba pratekėti elektrolitas.
13. Jei įrankis bus ilgą laiką nenaudojamas, akumuliatorių būtina išimti iš įrankio.
14. Darbo metu ir po akumulatoriaus kasetę gali būti įkaitusi ir dėl to nudeginti. Įmdami akumulatoriaus kasetes, būkite atsargūs.
15. Tuojau pat po naudojimo nelieskite įrankio gnybtų, nes jie gali būti įkaitę tiek, kad nudegins.
16. Neleiskite, kad į akumulatoriaus kasetės gnybtus, angas ir griovelius patektų drožlių, dulkių ar žemių. Jos gali sukelti kaitimą, užsidegti, sprogti ir sukelti įrankio ar akumulatoriaus kasetės gedimą, dėl ko galima nusideginti ar susižaloti.
17. Jeigu įrankis nėra pritaikytas naudoti šalia aukštos įtampos elektros linijų, akumulatoriaus kasetės nenaudokite šalia aukštos įtampos elektros linijų. Dėl to gali sutrikti įrankio ar akumulatoriaus kasetės veikimas arba jie gali sugesti.
18. Laikykite akumuliatorių vaikams nepasiekiamose vietose.

SAUGOKITE ŠIAS

INSTRUKCIJAS.

▲PERSPĖJIMAS: Naudokite tik originalų „Makita“ akumuliatorių. Neoriginalaus „Makita“ arba pakeisto akumulatoriaus naudojimas gali nulėmti gaisrą, asmens sužalojimą ir pažeidimą. Tai taip pat panaikina „Makita“ suteikiamą „Makita“ įrankio ir įkroviklio garantiją.

Patarimai, ką daryti, kad akumulatorius veiktų kuo ilgiau

1. Pakraukite akumulatoriaus kasetę prieš jai visiškai išsikraunant. Visuomet nustokite naudoti įrankį ir pakraukite akumulatoriaus kasetę, kai pastebite, kad įrankio galia sumažėjo.
2. Niekada nekraukite iki galo įkrautos akumulatoriaus kasetės. Perkraunant trumpėja akumulatoriaus eksploatacijos laikas.
3. Akumulatoriaus kasetę kraukite esant kambario temperatūrai 10 - 40 °C. Prieš pradėdami krauti, leiskite įkaitusiai akumulatoriaus kasetei atvėsti.
4. Kai akumulatoriaus kasetės nenaudojate, ją išimkite iš įrankio ar įkroviklio.
5. Įkraukite akumulatoriaus kasetę, jei jos nenaudojate ilgą laiką (ilgiau nei šešis mėnesius).

VEIKIMO APRAŠYMAS

▲PERSPĖJIMAS: Prieš pradėdami reguliuoti arba tikrinti įrankio veikimą, visuomet būtinai išjunkite įrankį ir išimkite akumulatoriaus kasetę.

Akumulatoriaus kasetės uždėjimas ir nuėmimas

▲PERSPĖJIMAS: Prieš įdėdami arba išimdami akumulatoriaus kasetę, visada išjunkite įrankį.

▲PERSPĖJIMAS: Įdėdami arba išimdami akumulatoriaus kasetę, tvirtai laikykite įrankį ir akumulatoriaus kasetę. Jeigu įrankį ir akumulatoriaus kasetę laikysite netvirtai, jie gali išslįsti iš jūsų rankų, todėl įrankis ir akumulatoriaus kasetė gali būti sugadinti, o naudotojas sužalotas.

Jei norite įdėti akumulatoriaus kasetę, ant akumulatoriaus kasetės esančių liežuvėlių sutapdinkite su korpuse esančiu grioveliu ir įstumkite į jai skirtą vietą. Įstatykite iki pat galo, kad spragtelėdama užsifiksuočiau. Jeigu matote raudoną sandariklį (indikatorių), kaip parodyta paveikslėlyje, ji nėra visiškai užfiksuota.

Jei norite išimti akumulatoriaus kasetę, ištraukite ją iš įrankio, stumdami mygtuką, esantį kasetės priekyje.

- **Pav.1:** 1. Raudonas sandariklis (indikatorius)
2. Mygtukas 3. Akumulatoriaus kasetė

▲PERSPĖJIMAS: Akumulatoriaus kasetę visada įkiškite iki galo, kol nebematysite raudono sandariklio (indikatoriaus) Priešingu atveju ji gali atsitiktinai iškristi iš įrankio ir sužeisti jus arba aplinkinius.

▲PERSPĖJIMAS: Nekiškite akumulatoriaus kasetės jėga. Jeigu kasetė sunkiai lenda, ją kišate netinkamai.

Įrankio / akumulatoriaus apsaugos sistema

Įrankyje įrengta įrankio / akumulatoriaus apsaugos sistema. Ši sistema automatiškai atjungia variklio maitinimą, kad įrankis ir akumulatorius ilgiau veiktų. Įrankis automatiškai išsijungs darbo metu esant vienai iš toliau nurodytų įrankio arba akumulatoriaus darbo sąlygų:

Apsauga nuo perkrovos

Kai įrankis / akumulatorius naudojamas taip, kad neįprastai padidėja elektros srovė, įrankis automatiškai išsijungia be jokių indikatorių įspėjimų. Tokiu atveju atleiskite įrankio gaiduką ir nutraukite darbą, dėl kurio kilo įrankio perkrova. Po to vėl įjunkite įrankį.

Apsauga nuo perkaitimo

Kai įrankis / akumulatorius perkaista, įrankis automatiškai išsijungia. Esant šiai situacijai, leiskite įrankiui / akumulatoriui atvėsti, prieš vėl jį jungdami.

Apsauga nuo visiško išekvojimo

Kai akumulatoriaus įkrovos lygis nepakankamas, įrankis automatiškai išsijungia. Tokiu atveju ištraukite akumuliatorių iš įrankio ir įkraukite jį.

Likusios akumulatoriaus galios rodymas

Paspauskite akumulatoriaus kasetės tikrinimo mygtuką, kad būtų rodoma likusi akumulatoriaus energija. Maždaug trims sekundėms užsidegs indikatorių lemputės.

► **Pav.2:** 1. Indikatorių lemputės 2. Tikrinimo mygtukas

Indikatorių lemputės			Likusi galia	
Šviečia	Nešviečia	Blyksi		
■	□	▬		
■ ■ ■ ■				75 - 100 %
■ ■ ■ □				50 - 75 %
■ ■ □ □				25 - 50 %
■ □ □ □				0 - 25 %
▬ □ □ □			Įkraukite akumuliatorių.	

Indikatorių lemputės			Likusi galia	
Šviečia	Nešviečia	Blyksi		
■	□	▬		
■ ■ □ □				Galimai įvyko akumulatoriaus veikimo triktis.
■ ■ □ □	↑ ↓			
□ □ ■ ■				
□ □ ■ ■				

PASTABA: Rodmuo gali šiek tiek skirtis nuo faktinės energijos lygio – tai priklauso nuo naudojimo sąlygų ir aplinkos temperatūros.

PASTABA: Veikiant akumulatoriaus apsaugos sistemai ims mirksėti pirmoji (toliausiai kairėje) indikatoriaus lemputė.

Gaiduko fiksavimo mygtukas

▲PERSPĖJIMAS: Prieš montuodami akumulatoriaus kasetę įrankyje, visuomet patikrinkite, ar gaidukas tinkamai veikia ir atleistas grįžta į išjungimo padėtį „OFF“.

▲PERSPĖJIMAS: Kai įrankiu nedirbate, nuspauskite gaiduko fiksavimo mygtuką iš „B“ pusės, kad gaidukas užsifiksuotų į IŠJUNGIMO (OFF) padėtį.

► **Pav.3:** 1. Gaiduko fiksavimo mygtukas 2. Gaidukas

► **Pav.4**

Norint, kad gaidukas nebūtų atsitiktinai nuspauštas, įrengtas gaiduko fiksavimo mygtukas.

Norėdami patraukti gaiduką, „A“ pusėje nuspauskite gaiduko fiksavimo mygtuką.

Pabaigę darbą, visada nuspauskite gaiduko fiksavimo mygtuką iš „B“ pusės.

Vinių kalimo gylio reguliavimas

▲JSPĖJIMAS: Prieš reguliuodami vinių kalimo gyli, būtinai įsitikinkite, kad nelaikote pirštų ant gaiduko ar kontaktinio elemento, o akumulatoriaus kasetė išimta.

Vinių kalimo gyli galima reguliuoti sukant ant įrankio esantį reguliatorių. Vinis įkalama giliau, sukant reguliatorių paveikslė parodyta A kryptimi, ir neįgilai – B kryptimi (iki 2,5 mm diapazone).

► **Pav.5:** 1. Reguliatorius

► **Pav.6:** 1. Per giliai 2. Tinkamas gylis 3. Nepakankamai giliai

Lemputės uždegimas

▲PERSPĖJIMAS: Nežiūrėkite tiesiai į šviesą arba šviesos šaltinį.

Patraukite gaiduką arba suaktyvinkite kontaktinį elementą, kad užsidegtų lemputė. Spaudžiant gaiduką arba laikant kontaktinį elementą suaktyvintą, lemputė nepertraukiamai šviečia iki 60 sekundžių. Atleidus gaiduką ir kontaktinį elementą, lemputė užgesa maždaug po 10 sekundžių.

► Pav.7: 1. Lemputė

PASTABA: Purvą nuo lempos objektyvo nuvalykite sausu skudurėliu. Būkite atsargūs, kad nesubraižytumėte lempos objektyvo, nes pablogės apšvietimas.

PASTABA: Net jei lemputė šviečia, kai akumuliatoriuje liko mažai galios, vinių kalimo įrankis gali nebešaudyti vinių. Tokiu atveju įkraukite akumuliatoriaus kasetę.

PASTABA: Jeigu įrankis perkaista, lemputė mirksi. Tokiu atveju atleiskite gaiduką ir kontaktinį elementą, o prieš naudodami vėl atvėsinkite įrankį / akumuliatorių.

PASTABA: Jei vinių kalimo įrankis nustato klaidą, kai kalama vinis, pradeda mirksėti lemputė. Tokiu atveju nugabenkite vinių kalimo įrankį į gamyklinės techninės priežiūros centrą.

SURINKIMAS

▲PERSPĖJIMAS: Prieš atlikdami bet kokius darbus pistoletu, būtinai įsitikinkite, kad nelaikote pirštų ant gaiduko ar kontaktinio elemento, o akumuliatoriaus kasetė išimta.

Vinių sudėjimas arba išėmimas

▲PERSPĖJIMAS: Prieš dėdami vinis, būtinai įsitikinkite, kad nelaikote pirštų ant gaiduko, o akumuliatoriaus kasetė yra išimta.

▲PERSPĖJIMAS: Negalima staigiai stumti kalimo įrankio slankiojo dangtelio su vinimis. Netyčia išmetus vinis, ypač jei dirbama aukštai, galima susižaloti.

▲PERSPĖJIMAS: Dėkite vinis tinkama kryptimi. Sudėjus vinis netinkama kryptimi, kreiptuvą gali pirma laiko nusidėvėti, gali sugesti ir kitos dalys.

▲PERSPĖJIMAS: Nenaudokite deformuotų vinių juostų. Naudokite tik šioje instrukcijoje nurodytas vinis. Jei naudosite kitokias vinis nei nurodyta, vinyms gali įstrigti, o kalimo įrankis – sugesti.

1. Paspauskite fiksavimo svirtį ir atidarykite dėtuvės slankųjį dangtelį.

► **Pav.8:** 1. Fiksavimo svirtelė 2. Slankiojančios duralės 3. Dėtuvė

2. Nustatykite vinių juostą taip, kad vinių galiukai liestų dėtuvės apačią, ir stumkite vinių juostą sukimo mechanizmo kreiptuvo link.

► **Pav.9:** 1. Viny 2. Slankiojančios duralės 3. Sukimo mechanizmo kreiptuvą

3. Sugrąžinkite slankųjį dangtelį į jo pradinę padėtį, kad fiksavimo svirtis jį užfiksuotų.

Norėdami vinis išimti, paspauskite fiksavimo svirtį ir stumkite slankųjį dangtelį. Išimkite vinis iš dėtuvės.

Priekio suderintuvą

▲PERSPĖJIMAS: Prieš montuodami priekio suderintuvą, būtinai įsitikinkite, kad nelaikote pirštų ant gaiduko ar kontaktinio elemento, o akumuliatoriaus kasetė išimta.

Kaldami vinis į lengvai sugadinamus medžiagos paviršius, naudokite priekinės dalies adapterį. Dėkite adapterį ant smailiojo sukimo mechanizmo kreiptuvo galo. Priekinės dalies adapterį galite laikyti laikiklyje dėtuvės gale, kad jis nepasimestų.

► **Pav.10:** 1. Priekio suderintuvą 2. Sukimo mechanizmo kreiptuvą 3. Laikiklį

Kablys

▲PERSPĖJIMAS: Montuodami kablį, visada jį tvirtai užveržkite varžtu. Antraip kablys gali nulėkti nuo įrankio ir sužaloti.

▲PERSPĖJIMAS: Naudokite pakabinamas / montuojamas dalis tik pagal jų paskirtį. Naudojant ne pagal paskirtį, gali įvykti nelaimingas atsitikimas arba galima susižaloti.

▲PERSPĖJIMAS: Nekabinkite kablo prie juosmens diržo. Kabliui netyčia pasislinkus, pistoletas gali nukristi ir netyčia iššauti vinis bei sužaloti.

► **Pav.11**

Kablys yra patogus, kai norite trumpam pakabinti įrankį. Jį galima uždėti bet kurioje įrankio pusėje. Norėdami sumontuoti kablį, įkiškite jį į bet kurioje įrankio korpuso pusėje esantį griovelį, po to priveržkite jį varžtu. Norėdami kablį nuimti, atsukite varžtą ir nuimkite jį.

► **Pav.12:** 1. Griovelis 2. Kablys 3. Varžtas

Šešiabriaunio veržliarakčio laikymas

Nenaudojamą šešiabriaunį veržliarakčių laikykite taip, kaip parodyta paveikslėlyje, kad nepamestumėte.

► **Pav.13:** 1. Šešiakampis raktas

NAUDOJIMAS

Saugos sistemos patikra

▲JSPĖJIMAS: Prieš pradėdami dirbti įsitikinkite, ar visos saugos sistemos tinkamai veikia. Nesilaikydami šių nurodymų galite sunkiai susižeisti.

► **Pav.14:** 1. Gaiduko fiksavimo mygtukas
2. Gaidukas 3. Kontaktinis elementas
4. Dėtuvė

Prieš naudojimą išbandykite saugos sistemas, ar veikia tinkamai.

1. Išimkite vinis iš įrankio, dėtuvės neuždarykite.
2. Įdėkite akumuliatoriaus kasetę ir atleiskite gaiduko fiksatorių.

3. Gaiduką patraukite nepriliedami kontaktinio elemento prie medžiagos.

4. Kontaktinį elementą prilieskite prie medžiagos tuomet, kai gaiduko netraukiate.

Jei įrankis veikia 3 ar 4 aprašytu atveju, saugos sistemos veikia netinkamai. Nedelsdami nustokite naudoti įrankį ir susisiekite su vietiniu techninės priežiūros centru.

Vinių kalimas

⚠ JSPĖJIMAS: Nenaudokite šio kaituvo elektros kabeliams tvirtinti. Jis neskirtas elektros kabeliams montuoti ir gali pažeisti elektros kabelių izoliaciją, todėl kelia elektros smūgio arba gaisro pavojų.

⚠ JSPĖJIMAS: Kontaktinį elementą laikykite tvirtai įrėmę į medžiagą, kol vinis bus visiškai įkalta. Netyčia iššovus, galimi kūno sužalojimai.

⚠ PERSPĖJIMAS: Dirbdami tvirtai laikykite įrankį.

1. Atleiskite gaiduko fiksatorių.
2. Padėkite kontaktinį elementą ant medžiagos.
3. Norėdami įkalti vinį, paspauskite gaiduką iki galo.
4. Norėdami įkalti kitą vinį, vieną kartą atleiskite gaiduką ir pakartokite 2 bei 3 veiksmus.

► **Pav.15:** 1. Gaidukas 2. Kontaktinis elementas

Vinis taip pat galite įkalti tempdami įrankį iki kitos srities, kai kontaktinis elementas yra įspaustas į medžiagą, ir paspausdami gaiduką.

► **Pav.16**

Kai vinies galvutė lieka ruošinio paviršiuje, kalkite vinį tvirtai laikydami vinių kalimo įrankio priekinę dalį ant ruošinio.

► **Pav.17**

PASTABA: Jei vinies galvutė vis tiek lieka ruošinio paviršiuje, net jei laikote vinies galvutę, vadinasi, medžiaga nėra tinkama vinių kalimo įrankiui. Toliau naudojant vinių kalimo įrankį su tokia medžiaga, galima sugadinti įrankio sukimo mechanizmą ir (arba) įrankis gali užstrigti.

Atjungimo mechanizmas

⚠ JSPĖJIMAS: Prieš dėdami vinis į vinių kalimo įrankį, būtinai įsitikinkite, kad nelaikote pirštų ant gaiduko ar kontaktinio elemento, o akumuliatoriaus kasetę išimta.

Kai dėtuvėje nelieka vinių juostų, paspausti gaiduko nepavyks. Tuo metu įdėkite naują vinių juostą į dėtuvę. Gaiduką galima paspausti dar kartą.

Likusių vinių patikrinimas

Likusių vinių kiekį galite pamatyti per stebėjimo langelį. Raudonas indikatorius juda iššovimo angos link, mažėjant likusių vinių kiekiui.

► **Pav.18:** 1. Stebėjimo langelis 2. Indikatorius

Užstrigusių vinių išėmimas

⚠ JSPĖJIMAS: Prieš išimdami užstrigusias vinis, būtinai atleiskite gaiduką ir išimkite akumuliatoriaus kasetę bei vinis.

⚠ PERSPĖJIMAS: Neišiminkite užstrigusių vinių plikomis rankomis. Vinis gali iššokti iš dėtuvės ir sužaloti.

Šešiakampių veržliarakčių atsukite šešiakampius varžtus nuo sukimo mechanizmo kreiptuvo. Kryžminiu atsuktuvu išimkite įstrigusias vinis iš vinių kreiptuvo griovelio.

Užveržkite sukimo mechanizmo kreiptuvą šešiakampiais varžtais.

- **Pav.19:** 1. Sukimo mechanizmo kreiptuvas
2. Šešiakampis varžtas

PASTABA: Pritvirtinę sukimo mechanizmo kreiptuvą, visada patikrinkite, ar jis tinkamai veikia. Jeigu taip nėra, atsukite šešiakampius varžtus ir iš naujo jį sumontuokite.

TECHNINĖ PRIEŽIŪRA

⚠ PERSPĖJIMAS: Visuomet įsitikinkite, ar įrankis yra išjungtas ir akumuliatoriaus kasetę yra nuimta prieš atlikdami apžiūrą ir priežiūrą.

PASTABA: Niekada nenaudokite gazolino, benzino, tirpiklio, spirito arba panašių medžiagų. Gali atsirasti išblukimų, deformacijų arba įtrūkimų.

Kad gaminys būtų SAUGUS ir PATIKIMAS, jį taisyti, apžiūrėti ar vykdyti bet kokią kitą priežiūrą ar derinimą turi įgaliotasis kompanijos „Makita“ techninės priežiūros centras; reikia naudoti tik kompanijos „Makita“ pagamintas atsargines dalis.

Sukimo mechanizmo kreiptuvo pakeitimas

Pasirenkamasis priedas

Pakeiskite standartinės komplektacijos sukimo mechanizmo kreiptuvą pasirenkamai įsigyjamu sukimo mechanizmo kreiptuvu, kuris geriau tinka griovelio juostelei fiksuoti.

1. Šešiakampių veržliarakčių atsukite šešiakampius varžtus nuo sukimo mechanizmo kreiptuvo.

► **Pav.20:** 1. Šešiakampis varžtas

2. Patraukite standartinės komplektacijos sukimo mechanizmo kreiptuvą žemyn.

► **Pav.21:** 1. Standartinės komplektacijos sukimo mechanizmo kreiptuvas

3. Sumontuokite pasirenkamai įsigyjamą sukimo mechanizmo kreiptuvą pastumdami jį į viršų į kreiptuvo angą.

► **Pav.22:** 1. Pasirenkamai įsigyjamas sukimo mechanizmo kreiptuvas 2. Kreiptuvo anga

4. Užveržkite pasirenkamai įsigyjamo sukimo mechanizmo kreiptuvą šešiakampiais varžtais.

► **Pav.23:** 1. Šešiakampis varžtas

PASIRENKAMI PRIEDAI

▲PERSPĖJIMAS: Šiuos papildomus priedus arba įtaisus rekomenduojama naudoti su šioje instrukcijoje nurodytu „Makita“ bendrovės įrankiu. Naudojant bet kokius kitus papildomus priedus arba įtaisus, gali kilti pavojus sužeisti žmones. Naudokite tik nurodytam tikslui skirtus papildomus priedus arba įtaisus.

Jeigu norite daugiau sužinoti apie tuos priedus, kreipkitės į artimiausią „Makita“ techninės priežiūros centrą.

- Vinys
- Sukimo mechanizmo kreiptuvai (griovelio juostelei fiksuoti)
- Originalus „Makita“ akumulatorius ir įkroviklis

PASTABA: Kai kurie sąrašė esantys priedai gali būti pateikti įrankio pakuotėje kaip standartiniai priedai. Jie įvairiose šalyse gali skirtis.

TEHNILISED ANDMED

Mudel:	FN001G
Naela suurus	18 Ga x 15, 20, 25, 30, 35, 40 mm
Naelasalve maht	100 tk
Mõõtmed koos BL4025-ga, ilma konksuta (L x W x H)	265 mm x 86 mm x 243 mm
Nimipinge	Alalisvool 36 V – 40 V max
Netokaal	2,6 – 3,8 kg

- Meie pideva uuringu- ja arendusprogrammi tõttu võidakse tehnilisi andmeid muuta ilma sellest ette teatamata.
- Tehnilised andmed ja akukassett võivad riigiti erineda.
- Kaal võib erineda olenevalt lisaseadistest, kaasa arvatud akukassetist. Kergeim ja raskeim kombinatsioon EPTA-protseduuri 01/2014 kohaselt on toodud tabelis.

Sobiv akukassett ja laadija

Akukassett	BL4020* / BL4025* / BL4040 / BL4040F / BL4050F / BL4080F *: Soovituslik aku
Laadija	DC40RA / DC40RB / DC40RC / DC40WA / BCC01 / BCC02

- Mõned eespool loetletud akukassetid ja -laadijad ei pruugi olla teie riigis saadaval.

⚠ HOIATUS: Kasutage ainult ülalpool loetletud akukassette ja laadureid. Muude akukassetide ja laadurite kasutamine võib tekitada vigastusi ja/või tulekahju.

Kavandatud kasutus

See tööriist on mõeldud siseviimistlusmaterjalide kinnitamiseks ja mööblitõdeks.

Müra

Tüüpiline A-korrigeeritud müratase, määratud standardi EN60745-2-16 kohaselt:

Helirõhutase (L_{pA}): 81 dB (A)

Helivõimsuse tase (L_{WA}): 92 dB (A)

Määramatus (K): 3 dB (A)

MÄRKUS: Deklareeritud müra väärtust (väärtuseid) on mõõdetud kooskõlas standardse katsemeetodiga ning seda võib kasutada ühe seadme võrdlemiseks teisega.

MÄRKUS: Deklareeritud müra väärtust (väärtuseid) võib kasutada ka mürataseme esmaseks hindamiseks.

⚠ HOIATUS: Kasutage kõrvakaitsmeid.

⚠ HOIATUS: Müratase võib elektritööriista tegelikkuses kasutamise ajal erineda deklareeritud väärtus(t)est olenevalt tööriista kasutusviisidest ja eriti töödeldavast toorikust.

⚠ HOIATUS: Rakendage operaatori kaitsmiseks kindlasti piisavaid ohutusabinõusid, mis põhinevad hinnangulisel müratasemel tegelikus tööolukorras (võttes arvesse tööperioodi kõiki osasid, näiteks korrad, kui seade lülitatakse välja ja seade töötab tühikäigul, lisaks tööajale).

Vibratsioon

Vibratsioonitaseme koguväärtust vastavalt EN60745-2-16:

Vibratsiooniheide (a_h): 2,5 m/s² või vähem

Määramatus (K): 1,5 m/s²

MÄRKUS: Deklareeritud vibratsiooni koguväärtust (-väärtuseid) on mõõdetud kooskõlas standardse katsemeetodiga ning seda võib kasutada ühe seadme võrdlemiseks teisega.

MÄRKUS: Deklareeritud vibratsiooni koguväärtust (-väärtuseid) võib kasutada ka mürataseme esmaseks hindamiseks.

⚠ HOIATUS: Vibratsioonitase võib elektritööriista tegelikkuses kasutamise ajal erineda deklareeritud väärtus(t)est olenevalt tööriista kasutusviisidest ja eriti töödeldavast toorikust.

⚠ HOIATUS: Rakendage operaatori kaitsmiseks kindlasti piisavaid ohutusabinõusid, mis põhinevad hinnangulisel müratasemel tegelikus tööolukorras (võttes arvesse tööperioodi kõiki osasid, näiteks korrad, kui seade lülitatakse välja ja seade töötab tühikäigul, lisaks tööajale).

Vastavusdeklaratsioon

Ainult Euroopa riikide puhul

Vastavusdeklaratsioonid on selle juhendi A-lisas.

OHUTUSHOIATUSED

Üldised elektritööriistade ohutushoiatused

⚠HOIATUS Lugege läbi kõik selle elektritööriistaga kaasas olevad ohutushoiatused, juhised, illustatsioonid ja tehnilised andmed. Alljärgnevate juhiste eiramine võib põhjustada elektrilöögi, süttimise ja/või raske kehavigastuse.

Hoidke edaspidisteks viideteks alles kõik hoiatused ja juhtnöörid.

Hoiatustes kasutatud termini „elektritööriist“ all peetakse silmas elektriga töötavaid (juhtmega) elektritööriistu või akuga töötavaid (juhtmata) elektritööriistu.

Juhtmata needipüstoli ohutusjuhised

1. Arvestage alati sellega, et tööriistas võib olla kinnitusvahendeid. Needipüstoli ettevaatamatu käsitsemine võib põhjustada kinnitusvahendite ootamatut vallandumise ning kehavigastusi.
2. Ärge suunake tööriista enda või kellegi lähedaiseva poole. Ootamatu vallandumine tühjen-dab kinnitaja ning põhjustab kehavigastusi.
3. Ärge käivitage tööriista, kui see ei ole asetatud kindlalt vastu töödeldavat detaili. Kui tööriist ei ole töödeldava detailiga kontaktis, võib kinnitaja sihtmärgist kõrvale kalduda.
4. Juhul kui kinnitusvahend kiulub tööriistas kinni, eemaldage tööriist vooluallikast. Kui needipüstol on sisse lülitatud, võib see kinnikiilunud kinnitusvahendi eemaldamise ajal ootamatult käivituda.
5. Olge kinnikiilunud klambripüstoli eemaldamisel ettevaatlik. Mehhanism võib surve all olla ning jõuliselt tühjeneda, kui üritate ummistust eemaldada.
6. Ärge kasutage needipüstolit elektrikaablite kinnitamiseks. See ei ole mõeldud elektrikaablite paigaldamiseks, sest võib kahjustada elektrikaablite isolatsiooni, põhjustades seeläbi elektrilöögi-või tulekahjuohu.
7. Hoidke käed ja jalad eemal kinnitusvahendi väljumisava piirkonnast.
8. Järgige õlitamist ja tarvikute vahetamist puu-dutavaid juhiseid.
9. Eemaldage akukasett alati enne kinnitusva-hendite laadimist, tööriista reguleerimist, kont-rollimist, hooldust või pärast töö lõpetamist.
10. Enne toimingu tegemist veenduge, et kedagi poleks läheduses. Ärge püüdke paigaldada kinnitusvahendeid korraga nii seina sise- kui ka välisküljelt. Kinnitusvahendid võivad konst-ruksioonist läbi tungida ja/või välja lennata, põh-justades suurt ohtu.
11. Jälgige oma jalgealust toetuspinda ja hoidke tööriistaga töötades tasakaalu. Kõrgustes töö-tades veenduge, et allpool ei viibiks inimesi.

12. Ärge kunagi kasutage kinnitusvahendite pai-galdustööriistu, mis on tähistatud sümboliga „Mitte kasutada tellingutel, redelitel“, teatud rakendustes, näiteks:
 - kui kinnitusvahendite paigaldamine on seo-tud asukoha muutmise, mis nõuab tellin-gute, treppide, redelite või redelisarnaste konstruksioonide, nt katuse roovlattide, kasutamist;
 - konteinerite või kastide sulgemiseks;
 - transportimisel kasutatavate turvasüs-teemide paigaldamiseks, nt sõidukite ja kaubavagunitel.
13. Kontrollige hoolikalt seinu, lagesid, pöran-daid, katust ja muud sellesarnast, et vältida võimalikku elektrilööki, gaasileket, plahvatusi jne, mida võib põhjustada nimetatud konst-ruksioonidesse paigaldatud voolu all olevate juhtmete, kaablikarvikute või gaasitorude taba-mine klambritega.
14. Kasutage ainult selles juhendis ette nähtud kinnitusvahendeid. Teistsuguste kinnitusva-hendite kasutamine võib põhjustada tööriista talitlushäire.
15. Ärge muutke tööriista omavoliliselt ega püüdke seda kasutada muuks otstarbeks kui kinnitusvahendite paigaldamiseks.
16. Ärge kasutage tööriista ilma kinnitusvahendi-ta. See lühendab tööriista tööiga.
17. Lõpetage klambrite paigaldamine viivitamatult, kui märkate tööriista juures midagi väärat või ebaharilikku.
18. Ärge kunagi paigaldage kinnitusvahendeid materjali, millest kinnitusvahend võib läbi lennata.
19. Ärge kunagi aktiveerige lüliti päästikut ja kontaktelementi samal ajal, enne kui olete töödeldavate detailide kinnitamiseks valmis. Laske töödeldaval detailil kontaktelement alla vajutada. Ärge takistage seda kunagi kontak-telemendi blokeerimisega tagant või seda käega surudes.
20. Ärge kunagi muutke kontaktelementi oma-voliliselt. Kontrollige sageli kontaktelemendi töökorras olekut.
21. Kui tööriista ei kasutata, eemaldage sellest alati kinnitusvahendid.

HOIDKE JUHEND ALLES.

⚠HOIATUS: ÄRGE UNUSTAGE järgida toote ohutusnõudeid mugavuse või toote (korduskasu-tamisega saavutatud) hea tundmise tõttu. VALE KASUTUS või kasutusjuhendi ohutuseeskirjade eiramine võib põhjustada tervisekahjustusi.

Akukasettiga seotud olulised ohutusjuhised

1. Enne akukasetti kasutamist lugege (1) akulaa-dijal, (2) akul ja (3) seadmel olevad juhtnöörid ja hoiatused läbi.
2. Ärge võtke akukasetti lahti ega muutke seda. See võib põhjustada tulekahju, liigset kuumust või plahvatusi.

3. Kui tööaeg järsult lüheneb, siis lõpetage kohe kasutamine. Edasise kasutamise tulemuseks võib olla ülekuumenemisoht, võimalikud põletused või isegi plahvatus.
4. Kui elektrolüüti satub silma, siis loputage silma puhta veega ja pöörduge koheselt arsti poole. Selline õnnetus võib põhjustada pimedaksjäämist.
5. Ärge tekitage akukassetis lühist:
 - (1) Ärge puutuge klemme elektrijuhtidega.
 - (2) Ärge hoidke akukasseti tööriistakastis koos metallesemetega, nagu naelad, mündid jne.
 - (3) Ärge tehke akukasseti märjaks ega jätke seda vihma kätte.

Aku lühis võib põhjustada tugevat elektri-voolu, ülekuumenemist, põletusi ning ka sead-
det tõsiselt kahjustada.

6. Ärge hoidke ega kasutage tööriista ja akukas-
setti kohtades, kus temperatuur võib tõusta
üle 50 °C (122 °F).
7. Ärge põletage akukasseti isegi siis, kui see on
saanud tõsiselt vigastada või on täiesti kulu-
nud. Akukassetit võib tules plahvatada.
8. Ärge naelutage, löigake, muljuge, visake aku-
kasseti ega laske sel kukkuda, samuti ärge
lööge selle pihta kõva esemega. Selline tegevus
võib põhjustada tulekahju, liigset kuumust või
plahvatuse.
9. Ärge kasutage kahjustatud akut.
10. Sisalduvatele liitium-ioonakudele võivad
kohalduda ohtlike kaupade õigusaktide nõu-
ded.

Kaubanduslikul transportimisel, näiteks kolman-
date poolte või transpordiettevõtete poolt, tuleb
järgida pakendil ja siltidel toodud erinõudeid.

Transportimiseks ettevalmistamisel on vajalik
pidada nõu ohtliku materjali eksperdigaga. Samuti
tuleb järgida võimalike riiklike regulatsioonide
üksikasjalikumaid nõudeid.

Katke teibiga või varjake avatud kontaktid ja
pakendage aku selliselt, et see ei saaks pakendis
liikuda.

11. Kasutuskõlbmatuks muutunud akukasseti
kõrvaldamiseks eemaldage see tööriistast ja
viige selleks ette nähtud kohta. Järgige kasu-
tuskõlbmatuks muutunud aku kõrvaldamise
kohalikke eeskirju.
12. Kasutage akusid ainult Makita heaks kiidetud
toodetega. Akude paigaldamine selleks mitte
ettenähtud toodetele võib põhjustada süttimist,
ülemäärast kuumust, plahvatamist või elektrolüüdi
lekkimist.
13. Kui tööriista ei kasutata pika ajaperioodi jook-
sul, tuleb aku tööriistast eemaldada.
14. Kasutamise ajal ja pärast kasutamist võib
akukassetit kuumeneda, mis võib põhjustada
põletusi või madala temperatuuri põletusi.
Olge kuumade akukasseti kandmisel ettevaatlik.
15. Ärge puudutage tööriista klemmi kohe pärast
kasutamist, sest see võib olla kuum ja põhjus-
tada põletusi.
16. Hoidke akukasseti klemmid, avad ja sooned
tükikestest, tolmust ja mullast puhtad. See

võib põhjustada tööriista või aku ülekuumenemist,
süttimist, purunemist ja talitlushäireid, mis võib
lõppeda põletuste või kehavigastustega.

17. Kui tööriist ei kannata kasutamist kõrgepin-
geliinide lähedal, ärge kasutage akukasseti
kõrgepingeliinide lähedal. Muidu võib tööriist või
akukassetit puruneda või sellel tõrge tekkida.
18. Hoidke aku lastele kättesaamatult.

HOIDKE JUHEND ALLES.

⚠ETTEVAATUST: Kasutage ainult Makita
originaalakusid. Mitte Makita originaalakude või
muudetud akude kasutamine võib põhjustada akude
süttimise, kehavigastuse ja kahjustuse. Samuti muu-
dab see kehtetuks Makita tööriista ja laadija Makita
garantii.

Vihjeid aku maksimaalse kasu- tusaja tagamise kohta

1. Laadige akukasseti enne selle täielikku
tühjenemist. Kui märkate, et tööriist töötab
väiksema võimsusega, peatage töö ja laadige
akukasseti.
2. Ärge laadige täielikult laetud akukasseti.
Ülelaadimine lühendab akude kasutusiga.
3. Laadige akukasseti toatemperatuuril 10 °C -
40 °C. Enne laadimist laske kuumenenud aku-
kassetil maha jahtuda.
4. Kui te ei kasuta parajasti akukasseti, eemal-
dage see tööriistast või laadurist.
5. Kui te ei kasuta akukasseti kauem kui kuus
kuud, laadige see.

FUNKTSIONAALNE KIRJELDUS

⚠ETTEVAATUST: Kandke alati hoolt selle eest,
et tööriist oleks enne reguleerimist ja kontrolli-
mist välja lülitatud ja akukassetit eemaldatud.

Akukasseti paigaldamine või eemaldamine

⚠ETTEVAATUST: Lülitage tööriist alati enne
akukasseti paigaldamist või eemaldamist välja.

⚠ETTEVAATUST: Akukasseti paigaldamisel
või eemaldamisel tuleb tööriista ja akukasseti
kindlalt paigal hoida. Kui tööriista ja akukasseti ei
hoita kindlalt paigal, võivad need käest libiseda ning
kahjustada tööriista ja akukasseti või põhjustada
kehavigastusi.

Akukasseti paigaldamiseks joondage akukasseti keel
korpuse soonega ja libistage kassetit oma kohale.
Sisestage see tervenisti, kuni see lukustub klõpsuga
oma kohale. Kui näete joonisel näidatud punast näidi-
kut, pole see täielikult lukustunud.

Akukasseti eemaldamiseks libistage see tööriista kül-
jest lahti, vajutades kasseti esiküljel paiknevat nuppu

alla.

► **Joon.1:** 1. Punane näidik 2. Nupp 3. Akukassett

⚠ETTEVAATUST: Paigaldage akukassett alati täies ulatuses nii, et punast osa ei jääks näha. Muidu võib adapter juhulkiult tööriistast välja kukkuda ning põhjustada teile või läheduses viibivatele isikutele vigastusi.

⚠ETTEVAATUST: Ärge rakendage akukasseti paigaldamisel jõudu. Kui kassett ei lähe kergesti sisse, pole see õigesti paigaldatud.

Tööriista/aku kaitsesüsteem

Tööriist on varustatud tööriista või aku kaitsesüsteemiga. Süsteem lülitab mootori automaatselt välja, et pikendada tööriista ja aku tööiga. Tööriist seiskub käitamise ajal automaatselt, kui tööriista või aku kohta kehtib üks järgmistest tingimustest.

Ülekoormuskaitse

Kui tööriista/aku kasutamise käigus hakkab see tarbima ebaharilikult palju voolu, peatub tööriist automaatselt ilma igasuguse signaalita. Sellisel juhul lülitage tööriist välja ja lõpetage tööriista ülekoormuse põhjustanud kasutus. Pärast seda käivitage tööriist uuesti.

Ülekuumenemiskaitse

Tööriista/aku ülekuumenemisel seiskub tööriist automaatselt. Sellises olukorras laske tööriistal/akul enne uuesti kasutamist jahtuda.













Ülelaadimiskaitse










Kui aku laetuse tase ei ole piisav, seiskub tööriist automaatselt. Sellisel juhul eemaldage aku seadmest ja laadige täis.

Aku jääkmahutavuse näit

Akukasseti järelejäänud mahutavuse kontrollimiseks vajutage kontrollimise nuppu. Märkulambid süttivad mõneks sekundiks.

► **Joon.2:** 1. Märkulambid 2. Kontrollimise nupp

Märkulambid			Jääkmahutavus
 Poleb	 Ei põle	 Vilgub	
			75 - 100%
			50 - 75%
			25 - 50%
			0 - 25%
			Laadige akut.

Märkulambid			Jääkmahutavus
 Poleb	 Ei põle	 Vilgub	
			Akul võib olla tõrge.
			

MÄRKUS: Näidatud mahutavus võib veidi erineda tegelikust mahutavusest olenevalt kasutustingimustest ja ümbritseva keskkonna temperatuurist.

MÄRKUS: Esimene (taga vasakul asuv) märkutuli vilgub, kui akukaitsesüsteem töötab.

Päästikuluku nupp

⚠ETTEVAATUST: Kontrollige alati enne akukasseti tööriista külge paigaldamist, kas lüliti päästik funktsioneerib nõuetekohaselt ja liigub lahtilaskmisel tagasi väljalülitatud asendisse.

⚠ETTEVAATUST: Kui te tööriista parajasti ei kasuta, vajutage päästikuluku nuppu B-poleelt, et lukustada lüliti päästik väljalülitatud asendisse.

► **Joon.3:** 1. Päästikuluku nupp 2. Lülitit päästik

► **Joon.4**

Selleks et lüliti päästik poleks võimalik juhulkiult vajutada, on tööriistal päästikuluku nupp.

Lüliti päästiku vajutamiseks vajutage esmalt A-poleelt päästikuluku nuppu.

Pärast kasutamist vajutage alati päästikuluku nuppu B-poleelt.

Naelutussügavuse reguleerimine

⚠HOIATUS: Enne needipüstoli neetimissügavuse reguleerimist veenduge alati, et teie sõrmed ei oleks lüliti päästikul ega kontaktelemendil ja akukassett oleks välja võetud.

Neetimissügavust saab reguleerida tööriista regulaatori keerates. Nael liigub sügavamale, kui keerate regulaatorit joonisel näidatud suunas A, ja madalamale suunas B kuni 2,5 mm ulatuses.

► **Joon.5:** 1. Regulaator

► **Joon.6:** 1. Liiga sügav 2. Õige sügavus 3. Liiga madal

Lambi süütamine

⚠ETTEVAATUST: Ärge vaadake otse valgusse ega valgusalikalt.

Lambi süütamiseks vajutage lüliti päästikut või käivitage kontaktelement. Lamp jääb põlema kuni 60 sekundiks, kuni vajutatakse lüliti päästikut või on käivitatud kontaktelement. Lamp kustub umbes 10 sekundit pärast lüliti päästiku või kontaktelemendi vabastamist.

► **Joon.7:** 1. Lamp

TÄHELEPANU: Pühkige lamp kuiva lapiga puhtaks. Olge seda tehes ettevaatlik, et lambi läätse mitte kriimustada, sest muidu võib valgustus väheneda.

TÄHELEPANU: Isegi kui lamp hakkab aku madala laetuse taseme korral põlema, ei pruugi naelapüstol naelu naelutada. Sellisel juhul laadige akukasetti.

TÄHELEPANU: Tööriista ülekumenemisel hakkab tuli viilkuma. Sel juhul vabastage lüliti päästik ja kontaktelement ning seejärel jahutage tööriist/aku enne uuesti kasutamist maha.

TÄHELEPANU: Kui naelapüstol tuvastab naela sisselöömise ajal vea, hakkab lamp viilkuma. Sellisel juhul viige naelapüstol tehase teeninduskeskusesse.

KOKKUPANEK

⚠ETTEVAATUST: Enne naelapüstoliga ükskõik millise töö tegemist veenduge alati, et teie sõrmed ei oleks lüliti päästikul ega kontaktelementil ja akukasett oleks välja võetud.

Naelte laadimine või eemaldamine

⚠ETTEVAATUST: Veenduge alati, et teie sõrmed ei paikneks päästikul ning akukasett oleks enne naelte laadimist eemaldatud.

⚠ETTEVAATUST: Ärge lükake naeltega täidetud naelapüstoli salve liugust järsult. Naelte ootamatu mahakukkumine, eelkõige siis, kui töotate kõrgel, võib tekitada kehavigastusi.

⚠ETTEVAATUST: Laadige naelad õiges suunas. Vales suunas laadimine võib põhjustada käituri enneaegset kulumist ja kahjustada teisi osi.

⚠ETTEVAATUST: Ärge kasutage kõverdunud naelatükke. Kasutage kasutusjuhendis ette nähtud naelu. Ettenähtust erinevate naelte kasutamine võib põhjustada naelapüstoli kinnikilumist ja purunemist.

1. Vajutage lukustushoovale ja avage salve liuguks.
▶ **Joon.8:** 1. Lukustushoob 2. Liuguks 3. Salv

2. Seadke naelalint sellisel, et naelatipud puudutaksid salve põhja, ning lükake naelalinti naelte käituri juhu suunas.

▶ **Joon.9:** 1. Naelad 2. Liuguks 3. Käituri juhik

3. Viige liuguks esialgsesse asendisse, kuni lukustushoob selle lukustab.

Naelte eemaldamiseks vajutage lukustushoovale ning lükake liugust. Võtke naelad salvest välja.

Otsaku adapter

⚠ETTEVAATUST: Enne otsaku adapteri paigaldamist veenduge, et teie sõrmed ei oleks lüliti päästikul ega kontaktelementil ja akukasett oleks välja võetud.

Kasutage otsaku adapterit, kui sisestate naelu kergesti rikutava pinnaga materjalisse. Pange adapter käituri

juhu teravale otsale.

Otsaku adapterit saate hoida salve tagaosas olevas hoidikus, et see kaduma ei läheks.

▶ **Joon.10:** 1. Otsaku adapter 2. Käituri juhik 3. Hoidik

Konks

⚠ETTEVAATUST: Konksu paigaldamisel keerate kruvi alati tugevalt kinni. Muidu võib konks tööriistalt lahti tulla ja kehavigastusi põhjustada.

⚠ETTEVAATUST: Kasutage riputus-/kinnitussosi ainult ettenähtud otstarbel. Muul otstarbel kasutamine võib põhjustada õnnetuse või kehavigastusi.

⚠ETTEVAATUST: Ärge riputage konksu võõle. Naelapüstoli pillamine võib konksu juhusliku liikumise tõttu põhjustada kogemata tulistamist ja kehavigastusi.

▶ **Joon.11**

Konksu abil saate tööriista ajutiselt kuhugi riputada. Selle võib paigaldada tööriista ükskõik kummale küljele. Konksu paigaldamiseks torgake see tööriista korpuse ükskõik kummal küljel olevasse õnarusse ja kinnitage kruviga. Eemaldamiseks lõdvendage kruvi ja võtke see siis välja.

▶ **Joon.12:** 1. Soon 2. Konks 3. Kruvi

Kuuskantvõtme hoidmine

Kui kuuskantvõtit ei kasutata, hoidke seda kaotamise vältimiseks joonisel näidatud viisil.

▶ **Joon.13:** 1. Kuuskantvõti

TÖÖRIISTA KASUTAMINE

Ohutussüsteemi testimine

⚠HOIATUS: Enne tööleasumist veenduge, et kõik ohutussüsteemid oleks töökorras. Selle eiramisel võivad tagajärjeks olla kehavigastused.

▶ **Joon.14:** 1. Päästikuluku nupp 2. Lüliti päästik 3. Kontaktelement 4. Salv

Enne kasutamist kontrollige turvasüsteeme võimalike rikete osas järgmiselt.

1. Tühjendage tööriist naeltest ja jätke salv avatuks.
2. Paigaldage akukasett ja vabastage päästikulukk.
3. Vajutage lüliti päästikut, puudutamata kontaktelementiga vastu materjali.
4. Kontaktelementi võite asetada vastu materjali ilma lüliti päästikut vajutamata.

Kui eelkirjeldatud 3. või 4. juhtumi korral tööriist käivitub, on ohutussüsteem rikkis. Lõpetage kohe tööriista kasutamine ja pöörduge kohaliku hoolduskeskuse poole.

Naelte sisestamine

⚠️HOIATUS: Ärge kasutage needipüstolit elektriikaablite kinnitamiseks. See ei ole mõeldud elektriikaablite paigaldamiseks, sest võib kahjustada elektriikaablite isolatsiooni, põhjustades seeläbi elektrilöögi- või tulekahjuohtu.

⚠️HOIATUS: Hoidke kontaktelementi kindlalt materjalil, kuni nael on täielikult sisestatud. Kogemata laskmine võib põhjustada kehavigastusi.

⚠️ETTEVAATUST: Hoidke tööriista töötamise ajal kindlalt.

1. Vabastage päästikulukk.
 2. Asetage kontaktelement vastu töödeldavat detaili.
 3. Naela sisselöömiseks vajutage lüliti päästikut lõpuni alla.
 4. Järgmise naela sisselöömiseks eemaldage sõrm korraks lüliti päästikult ja korrake seejärel ülalpool toodud samme 2 ja 3.
- **Joon.15:** 1. Lüliti päästik 2. Kontaktelement

Naelu saate sisse lüüa ka nii, et lohistate tööriista vastu materjali surutud kontaktelemendiga järgmise piirkonda ja vajutate lüliti päästikut.

► **Joon.16**

Kui naela pea jääb töödeldava eseme pinnast kõrgemale, hoidke naela sisselöömisel naelapüstoli pead kindlalt vastu töödeldavat eset.

► **Joon.17**

MÄRKUS: Kui naela pea jääb siiski isegi naelapüstoli pea hoidmisel töödeldava eseme pinnast kõrgemale, ei pruugi materjal olla naelapüstoli jaoks sobiv. Sellisel materjalil naelapüstoli kasutamise jätkamine võib põhjustada naelapüstoli käituri rikkeid ja/või naelapüstoli kinnikiilumist.

Tühilasuvastane mehhanism

⚠️HOIATUS: Enne naelapüstoli laadimist veenduge alati, et teie sõrmed ei oleks lüliti päästikul ega kontaktelemendil ja akukassett oleks välja võetud.

Kui salv on naeltest tühi, ei saa enam lüliti päästikut vajutada. See on hetk, kust salve tuleb sisestada uus naelariba. Lüliti päästikut võib nüüd uuesti vajutada.

Allesolevate naelte kontrollimine

Allesolevate naelte arvu on võimalik kontrollida läbi vaateakna.

Allesolevate naelte arvu vähenemisel liigub punane näidik väljalaskeava suunas.

► **Joon.18:** 1. Vaateaken 2. Näidik

Kinnikiilunud naelte eemaldamine

⚠️HOIATUS: Enne kinnikiilunud naelte eemaldamist kontrollige alati, et päästik oleks vabastatud ning akukassett ja naelad oleks välja võetud.

⚠️ETTEVAATUST: Ärge eemaldage kinnikiilunud naelu paljaste kätega. Nael võib salvest välja hüpata ja põhjustada vigastusi.

Eemaldage käituri juhiku kuuskantpoldid kuuskantvõtmega. Võtke kinni jäänud naelad naelajuhiku soonest lapikkruvikeerajaga välja.

Kinnitage käituri juhik kuuskantpoltidega.

► **Joon.19:** 1. Käituri juhik 2. Kuuskantpolt

MÄRKUS: Pärast käituri juhiku kinnitamist veenduge alati, et see funktsioneeriks õigesti. Kui ei, siis eemaldage kuuskantpoldid ja paigaldage käituri juhik uuesti.

HOOLDUS

⚠️ETTEVAATUST: Enne kontroll- või hooldustoimingute tegemist kandke alati hoolt selle eest, et tööriist oleks välja lülitatud ja akukassett korpuse küljest eemaldatud.

TÄHELEPANU: Ärge kunagi kasutage bensiini, vedeldit, alkoholi ega midagi muud sarnast. Selle tulemuseks võib olla luitumine, deformatsioon või pragunemine.

Toote OHUTUSE ja TÖÖKINDLUSE tagamiseks tuleb vajalikud remonttööd ning muud hooldus- ja reguleerimistööd lasta teha Makita volitatud teeninduskeskustes või tehase teeninduskeskustes. Alati tuleb kasutada Makita varuosi.

Käituri juhiku vahetamine

Lisatarvik

Vahetage standardvarustuse käituri juhik kolmnurkliisti kinnitamiseks paremini sobiva valikulise käituri juhiku vastu.

1. Eemaldage käituri juhiku kuuskantpoldid kuuskantvõtmega.

► **Joon.20:** 1. Kuuskantpolt

2. Tõmmake standardvarustuses olev käituri juhik maha.

► **Joon.21:** 1. Standardvarustuse käituri juhik

3. Paigaldage valikuline käituri juhik, lükates seda ülespoole käituri pesa.

► **Joon.22:** 1. Valikuline käituri juhik 2. Juhiku pesa

4. Kinnitage valikuline käituri juhik kuuskantpoltidega.

► **Joon.23:** 1. Kuuskantpolt

VALIKULISED TARVIKUD

⚠ETTEVAATUST: Neid tarvikuid ja lisaseadiseid on soovitatav kasutada koos Makita tööriistaga, mille kasutamist selles kasutusjuhendis kirjeldatakse. Muude tarvikute ja lisaseadiste kasutamisega kaasneb vigastada saamise oht. Kasutage tarvikuid ja lisaseadiseid ainult otstarbekohaselt.

Saate vajaduse korral kohalikust Makita teeninduskeskusest lisateavet nende tarvikute kohta.

- Naelad
- Käituri juhik (kolmnurkliistu kinnitamiseks)
- Makita algupärane aku ja laadija

MÄRKUS: Mõned nimekirjas loetletud tarvikud võivad kuuluda standardvarustusse ning need on lisatud tööriista pakendisse. Need võivad riigiti erineda.

ТЕХНИЧЕСКИЕ ХАРАКТЕРИСТИКИ

Модель:	FN001G
Размер гвоздя	18 Ga x 15, 20, 25, 30, 35, 40 мм
Емкость магазина для гвоздей	100 шт.
Размеры с BL4025, без крюка (Д × Ш × В)	265 мм x 86 мм x 243 мм
Номинальное напряжение	36 В – 40 В пост. тока макс.
Масса нетто	2,6–3,8 кг

- Благодаря нашей постоянно действующей программе исследований и разработок указанные здесь технические характеристики могут быть изменены без предварительного уведомления.
- Технические характеристики и аккумуляторный блок могут отличаться в зависимости от страны.
- Масса может отличаться в зависимости от дополнительного оборудования. Обратите внимание, что блок аккумулятора также считается дополнительным оборудованием. В таблице представлены комбинации с наибольшим и наименьшим весом в соответствии с процедурой EPTA 01/2014.

Подходящий блок аккумулятора и зарядное устройство

Блок аккумулятора	BL4020* / BL4025* / BL4040 / BL4040F / BL4050F / BL4080F *: рекомендуемый аккумулятор
Зарядное устройство	DC40RA / DC40RB / DC40RC / DC40WA / BCC01 / BCC02

- В зависимости от региона проживания некоторые блоки аккумуляторов и зарядные устройства, перечисленные выше, могут быть недоступны.

⚠ ОСТОРОЖНО: Используйте только перечисленные выше блоки аккумуляторов и зарядные устройства. Использование других блоков аккумуляторов и зарядных устройств может привести к травме и/или пожару.

Назначение

Инструмент предназначен для работ внутри помещений и для выполнения креплений к мебели.

Шум

Типичный уровень взвешенного звукового давления (A), измеренный в соответствии с EN60745-2-16:

Уровень звукового давления (L_{pA}): 81 дБ (A)

Уровень звуковой мощности (L_{WA}): 92 дБ (A)

Погрешность (K): 3 дБ (A)

ПРИМЕЧАНИЕ: Заявленное значение распространения шума измерено в соответствии со стандартной методикой испытаний и может быть использовано для сравнения инструментов.

ПРИМЕЧАНИЕ: Заявленное значение распространения шума можно также использовать для предварительных оценок воздействия.

⚠ ОСТОРОЖНО: Используйте средства защиты слуха.

⚠ ОСТОРОЖНО: Распространение шума во время фактического использования электроинструмента может отличаться от заявленного значения в зависимости от способа применения инструмента и в особенности от типа обрабатываемой детали.

⚠ ОСТОРОЖНО: Обязательно определите меры безопасности для защиты оператора, основанные на оценке воздействия в реальных условиях использования (с учетом всех этапов рабочего цикла, таких как выключение инструмента, работа без нагрузки и включение).

Вибрация

Общее значение вибрации определено в соответствии с EN60745-2-16:

Распространение вибрации (a_h): 2,5 м/с² или менее

Погрешность (K): 1,5 м/с²

ПРИМЕЧАНИЕ: Заявленное общее значение распространения вибрации измерено в соответствии со стандартной методикой испытаний и может быть использовано для сравнения инструментов.

ПРИМЕЧАНИЕ: Заявленное общее значение распространения вибрации можно также использовать для предварительных оценок воздействия.

⚠ОСТОРОЖНО: Распространение вибрации во время фактического использования электроинструмента может отличаться от заявленного значения в зависимости от способа применения инструмента и в особенности от типа обрабатываемой детали.

⚠ОСТОРОЖНО: Обязательно определите меры безопасности для защиты оператора, основанные на оценке воздействия в реальных условиях использования (с учетом всех этапов рабочего цикла, таких как выключение инструмента, работа без нагрузки и включение).

Декларации о соответствии

Только для европейских стран

Декларации о соответствии включены в Приложение А к настоящему руководству по эксплуатации.

МЕРЫ БЕЗОПАСНОСТИ

Общие рекомендации по технике безопасности для электроинструментов

⚠ОСТОРОЖНО Ознакомьтесь со всеми инструкциями по технике безопасности, указаниями, иллюстрациями и техническими характеристиками, прилагаемыми к данному электроинструменту. Несоблюдение всех приведенных далее инструкций может привести к поражению электрическим током, возгоранию и/или тяжелым травмам.

Сохраните брошюру с инструкциями и рекомендациями для дальнейшего использования.

Термин "электроинструмент" в предупреждениях относится ко всему инструменту, работающему от сети (с проводом) или на аккумуляторах (без провода).

Правила техники безопасности при эксплуатации аккумулятораного гвоздезабивного пистолета

1. **Всегда предполагайте, что в инструмент заряжен крепеж.** Небрежное обращение со гвоздезабивным пистолетом может стать причиной внезапного выстрела крепежом и получения травмы.
2. **Не направляйте инструмент на себя или окружающих.** Случайное нажатие на триггерный переключатель приведет к выбросу крепежа и травме.
3. **Не нажимайте на переключатель, пока плотно не прижмете инструмент к обрабатываемой детали.** Если инструмент не

соприкасается с обрабатываемой деталью, крепеж может уйти в сторону.

4. **При заклинивании крепежа отключите инструмент от источника питания.** В противном случае гвоздезабивной пистолет может случайно сработать во время извлечения крепежа.
5. **Соблюдайте осторожность при извлечении заклинившего крепежа.** Механизм может находиться под давлением, и при попытке извлечь заклинивший крепеж инструмент может сработать.
6. **Не используйте этот гвоздезабивной пистолет для закрепления электрических кабелей.** Он не предназначен для прокладки электрокабелей и может повредить их изоляцию, таким образом создавая опасность поражения электрическим током или возгорания.
7. **Не направляйте выходное отверстие на руки или ноги.**
8. **Следуйте инструкциям по смазке и замене принадлежностей.**
9. **Обязательно снимайте блок аккумулятора перед зарядкой крепежа, регулировкой, проверкой, техническим обслуживанием или после выполнения работ.**
10. **Перед началом работ убедитесь в отсутствии людей поблизости. Ни в коем случае не пытайтесь вбивать крепеж одновременно с внутренней и внешней сторон стены.** Крепеж может пройти насквозь и/или отлететь, представляя смертельную опасность.
11. **Работая с инструментом, всегда следите за тем, чтобы ваше положение было устойчиво. При использовании инструмента на высоте убедитесь в отсутствии людей внизу.**
12. **Запрещается использовать инструменты для установки крепежа, отмеченные символом с надписью "Не использовать на лесах и лестницах", в следующих ситуациях:**
 - если для перехода с одного места проведения работ к другому требуется воспользоваться лесами, лестницами, стремянками и им подобными конструкциями, например обрешеткой крыши;
 - при закрытии коробок и ящиков;
 - для установки систем защиты на транспортных средствах, например автомобилях или автофургонах.
13. **Тщательно проверьте стены, потолок, полы, кровлю и т. д., чтобы не допустить поражения электрическим током, утечки газа, взрыва и т. д. вследствие прокалывания проводов, трубопроводов и газовых труб.**
14. **Используйте только крепеж, указанный в настоящем руководстве.** Использование любого другого крепежа может привести к поломке инструмента.
15. **Не меняйте конструкцию инструмента и не используйте его для каких-либо иных целей, кроме установки крепежа.**
16. **Не работайте с инструментом без крепежа.** Это сокращает срок службы инструмента.

17. Если заметите какие-либо неполадки в инструменте, немедленно прекратите работу.
18. Запрещается вбивать крепеж в материал, который он может пробить и пролететь насквозь.
19. Никогда одновременно не нажимайте на триггерный переключатель и не активируйте контактный элемент, пока не будете готовы приступить к работе. Используйте инструмент так, чтобы нажатие контактного элемента осуществлялось об обрабатываемую деталь. Никогда не блокируйте контактный элемент в заднем положении и не нажимайте на него рукой.
20. Запрещено изменять конструкцию контактного элемента. Чтобы обеспечить надежную работоспособность инструмента, регулярно проверяйте контактный элемент.
21. Если инструмент не используется, обязательно извлеките из него крепеж.

СОХРАНИТЕ ДАННЫЕ ИНСТРУКЦИИ.

▲ОСТОРОЖНО: НЕ ДОПУСКАЙТЕ, чтобы удобства или опыт эксплуатации данного устройства (полученный от многократного использования) доминировали над строгим соблюдением правил техники безопасности при обращении с этим устройством. **НЕПРАВИЛЬНОЕ ИСПОЛЬЗОВАНИЕ** инструмента или несоблюдение правил техники безопасности, указанных в данном руководстве, может привести к тяжелой травме.

Важные правила техники безопасности для работы с аккумуляторным блоком

1. Перед использованием аккумуляторного блока прочитайте все инструкции и предупреждающие надписи на (1) зарядном устройстве, (2) аккумуляторном блоке и (3) инструменте, работающем от аккумуляторного блока.
 2. Не разбирайте блок аккумулятора и не меняйте его конструкцию. Это может привести к пожару, перегреву или взрыву.
 3. Если время работы аккумуляторного блока значительно сократилось, немедленно прекратите работу. В противном случае, может возникнуть перегрев блока, что приведет к ожогам и даже к взрыву.
 4. В случае попадания электролита в глаза промойте их обильным количеством чистой воды и немедленно обратитесь к врачу. Это может привести к потере зрения.
 5. Не замыкайте контакты аккумуляторного блока между собой:
 - (1) Не прикасайтесь к контактам какими-либо токопроводящими предметами.
 - (2) Не храните аккумуляторный блок в
- контейнере вместе с другими металлическими предметами, такими как гвозди, монеты и т. п.
 - (3) Не допускайте попадания на аккумуляторный блок воды или дождя.
- Замыкание контактов аккумуляторного блока между собой может привести к возникновению большого тока, перегреву, возможным ожогам и даже поломке блока.
6. Не храните и не используйте инструмент и аккумуляторный блок в местах, где температура может достигать или превышать 50 °C (122 °F).
 7. Не бросайте аккумуляторный блок в огонь, даже если он сильно поврежден или полностью вышел из строя. Аккумуляторный блок может взорваться под действием огня.
 8. Запрещено вбивать гвозди в блок аккумулятора, резать, ломать, бросать, ронять блок аккумулятора или ударять его твердым предметом. Это может привести к пожару, перегреву или взрыву.
 9. Не используйте поврежденный аккумуляторный блок.
 10. Входящие в комплект литий-ионные аккумуляторы должны эксплуатироваться в соответствии с требованиями законодательства об опасных товарах. При коммерческой транспортировке, например, третьей стороной или экспедитором, необходимо нанести на упаковку специальные предупреждения и маркировку. В процессе подготовки устройства к отправке обязательно проконсультируйтесь со специалистом по опасным материалам. Также соблюдайте местные требования и нормы. Они могут быть строже. Закройте или закрепите разомкнутые контакты и упакуйте аккумулятор так, чтобы он не перемещался по упаковке.
 11. Для утилизации блока аккумулятора извлеките его из инструмента и утилизируйте безопасным способом. Выполняйте требования местного законодательства по утилизации аккумуляторного блока.
 12. Используйте аккумуляторы только с продукцией, указанной Makita. Установка аккумуляторов на продукцию, не соответствующую требованиям, может привести к пожару, перегреву, взрыву или утечке электролита.
 13. Если инструментом не будут пользоваться в течение длительного периода времени, извлеките аккумулятор из инструмента.
 14. Во время и после использования блок аккумулятора может нагреваться, что может стать причиной ожогов или низкотемпературных ожогов. Будьте осторожны при обращении с горячим блоком аккумулятора.
 15. Не прикасайтесь к контактам инструмента сразу после использования, поскольку они могут быть достаточно горячими, чтобы вызвать ожоги.
 16. Не допускайте налипания на контакты, отверстия и пазы блока аккумулятора опилок, пыли или земли. Это может стать

причиной перегрева, возгорания, взрыва или неисправности инструмента или блока аккумулятора, что может привести к ожогам или травмам.

17. Если инструмент не рассчитан на использование вблизи высоковольтных линий электропередач, не используйте блок аккумулятора вблизи высоковольтных линий электропередач. Это может привести к неисправности, поломке инструмента или блока аккумулятора.
18. Храните аккумулятор в недоступном для детей месте.

СОХРАНИТЕ ДАННЫЕ ИНСТРУКЦИИ.

ВНИМАНИЕ: Используйте только фирменные аккумуляторные батареи Makita. Использование аккумуляторных батарей, не произведенных Makita, или батарей, которые были подвергнуты модификациям, может привести к взрыву аккумулятора, пожару, травмам и повреждению имущества. Это также автоматически аннулирует гарантию Makita на инструмент и зарядное устройство Makita.

Советы по обеспечению максимального срока службы аккумулятора

1. Заряжайте блок аккумуляторов перед его полной разрядкой. Обязательно прекратите работу с инструментом и зарядите блок аккумуляторов, если вы заметили снижение мощности инструмента.
2. Никогда не подзаряжайте полностью заряженный блок аккумуляторов. Перезарядка сокращает срок службы аккумулятора.
3. Заряжайте блок аккумуляторов при комнатной температуре в 10 - 40 °C (50 - 104 °F). Перед зарядкой горячего блока аккумуляторов дайте ему остыть.
4. Если блок аккумулятора не используется, извлеките его из инструмента или зарядного устройства.
5. Зарядите ионно-литиевый аккумуляторный блок, если вы не будете пользоваться инструментом длительное время (более шести месяцев).

ОПИСАНИЕ РАБОТЫ

ВНИМАНИЕ: Перед регулировкой или проверкой функций инструмента обязательно убедитесь, что он выключен и его аккумуляторный блок снят.

Установка или снятие блока аккумулятора

ВНИМАНИЕ: Обязательно выключайте инструмент перед установкой и извлечением аккумуляторного блока.

ВНИМАНИЕ: При установке и извлечении аккумуляторного блока крепко удерживайте инструмент и аккумуляторный блок. Если не соблюдать это требование, они могут выскользнуть из рук, что приведет к повреждению инструмента, аккумуляторного блока и травмированию оператора.

Для установки блока аккумулятора совместите выступ блока аккумулятора с пазом в корпусе и задвиньте его на место. Устанавливайте блок до упора, чтобы он зафиксировался с небольшим щелчком. Если вы видите красный индикатор, как показано на рисунке, он не зафиксирован полностью.

Для снятия аккумуляторного блока нажмите кнопку на лицевой стороне и извлеките блок.

► **Рис.1:** 1. Красный индикатор 2. Кнопка 3. Блок аккумулятора

ВНИМАНИЕ: Обязательно устанавливайте блок аккумулятора до конца, чтобы красный индикатор не был виден. В противном случае блок аккумулятора может выпасть из инструмента и нанести травму вам или другим людям.

ВНИМАНИЕ: Не прилагайте чрезмерных усилий при установке аккумуляторного блока. Если блок не движется свободно, значит он вставлен неправильно.

Система защиты инструмента/аккумулятора

На инструменте предусмотрена система защиты инструмента/аккумулятора. Она автоматически отключает питание двигателя для продления срока службы инструмента и аккумулятора. Инструмент автоматически остановится во время работы в следующих случаях:

Защита от перегрузки

Если из-за способа эксплуатации инструмент/аккумулятор потребляет очень большое количество тока, он автоматически остановится без включения каких-либо индикаторов. В этом случае выключите инструмент и прекратите работу, повлекшую перегрузку инструмента. Затем включите инструмент для перезапуска.

Защита от перегрева

При перегреве инструмента/аккумулятора инструмент останавливается автоматически. В этом случае дайте инструменту/аккумулятору остыть перед повторным включением.

Защита от переразрядки

При истощении емкости аккумулятора инструмент автоматически останавливается. В этом случае извлеките аккумулятор из инструмента и зарядите его.

Индикация оставшегося заряда аккумулятора

Нажмите кнопку проверки на аккумуляторном блоке для проверки заряда. Индикаторы загорятся на несколько секунд.

► **Рис.2:** 1. Индикаторы 2. Кнопка проверки

Индикаторы			Уровень заряда
Горит	Выкл.	Мигает	
■	□	▣	
■ ■ ■ ■	■ ■ ■ ■		от 75 до 100%
■ ■ ■ ■	■ ■ ■ □		от 50 до 75%
■ ■ ■ □	■ ■ □ □		от 25 до 50%
■ □ □ □	□ □ □ □		от 0 до 25%
▣ □ □ □	□ □ □ □		Зарядите аккумуляторную батарею.
■ ■ □ □	□ □ ■ ■	↑ ↓	Возможно, аккумуляторная батарея неисправна.

ПРИМЕЧАНИЕ: В зависимости от условий эксплуатации и температуры окружающего воздуха индикация может незначительно отличаться от фактического значения.

ПРИМЕЧАНИЕ: Первая (дальняя левая) индикаторная лампа будет мигать во время работы защитной системы аккумулятора.

Кнопка блокировки триггерного переключателя

ВНИМАНИЕ: Перед установкой аккумуляторного блока в инструмент обязательно убедитесь, что его триггерный переключатель нормально работает и возвращается в положение "OFF" (ВЫКЛ) при отпускании.

ВНИМАНИЕ: Если инструмент не используется, нажмите на кнопку блокировки триггерного переключателя со стороны В для его блокирования в положении OFF (ВЫКЛ).

► **Рис.3:** 1. Кнопка блокировки триггерного переключателя 2. Триггерный переключатель

► **Рис.4**

Для предотвращения случайного нажатия на триггерный переключатель он оборудован кнопкой

блокировки.

Чтобы активировать триггерный переключатель, нажмите на кнопку блокировки со стороны А. После использования всегда нажимайте на кнопку блокировки триггерного переключателя со стороны В.

Регулировка глубины забивания гвоздя

ОСТОРОЖНО: Прежде чем регулировать глубину забивания крепежа, всегда проверяйте, чтобы пальцы не находились на триггерном переключателе или на контактном элементе, а также чтобы блок аккумулятора был извлечен.

Глубину забивания можно регулировать с помощью регулятора инструмента. Крутите регулятор в сторону А или В, как показано на рисунке, для увеличения или уменьшения глубины соответственно; предельная глубина регулировки составляет 2,5 мм.

► **Рис.5:** 1. Регулятор

► **Рис.6:** 1. Чрезмерная глубина 2. Правильная глубина 3. Недостаточная глубина

Включение лампы

ВНИМАНИЕ: Не смотрите непосредственно на свет или источник света.

Нажмите на триггерный переключатель или активируйте контактный элемент, чтобы включить лампу. Пока нажат триггерный переключатель или активен контактный элемент, лампа будет оставаться включенной до 60 секунд. Лампа гаснет приблизительно через 10 секунд после отпускания триггерного переключателя или контактного элемента.

► **Рис.7:** 1. Лампа

ПРИМЕЧАНИЕ: Для удаления пыли с линзы лампы используйте сухую ткань. Не допускайте возникновения царапин на линзе лампы, так как это приведет к снижению освещенности.

ПРИМЕЧАНИЕ: При малом остаточном заряде аккумулятора возможно, что гвоздезабивной пистолет не будет забивать гвозди даже в том случае, если горит лампа. В этом случае зарядите блок аккумулятора.

ПРИМЕЧАНИЕ: В случае перегрева инструмента лампа начинает мигать. В этом случае отпустите триггерный переключатель и контактный элемент и дайте инструменту или аккумулятору остыть, прежде чем продолжать работу.

ПРИМЕЧАНИЕ: Если во время забивания гвоздя с помощью гвоздезабивного пистолета будет обнаружена ошибка, лампа начнет мигать. В этом случае следует передать гвоздезабивной пистолет в сервисный центр предприятия.

СБОРКА

⚠ВНИМАНИЕ: Прежде чем выполнять какие-либо работы с гвоздезабивным пистолетом, уберите пальцы с триггерного переключателя или контактного элемента, а также извлеките блок аккумулятора.

Загрузка или разгрузка гвоздей

⚠ВНИМАНИЕ: Прежде чем заряжать гвоздезабивной пистолет гвоздями, уберите пальцы с переключателя и блока аккумулятора.

⚠ВНИМАНИЕ: Не смещайте резким движением сдвижную крышку гвоздезабивного пистолета, заряженного гвоздями. Случайное выпадение гвоздей, особенно при работе на высоте, может привести к травмам.

⚠ВНИМАНИЕ: Заряжайте гвозди в правильном направлении. Зарядка гвоздей в неправильном направлении может привести к преждевременному износу воротка и повреждению других частей.

⚠ВНИМАНИЕ: Не используйте деформированные обоймы гвоздей. Используйте только те гвозди, которые указаны в этом руководстве. Использование гвоздей другого типа может привести к застреванию гвоздей и поломке гвоздезабивного пистолета.

1. Нажмите на рычаг и откройте сдвижную крышку магазина.

► **Рис.8:** 1. Стопорный рычаг 2. Сдвижная крышка 3. Магазин

2. Установите обойму гвоздей таким образом, чтобы концы гвоздей касались нижней части магазина, и сдвиньте обойму гвоздей по направлению к направляющей воротка.

► **Рис.9:** 1. Гвозди 2. Сдвижная крышка 3. Направляющая воротка

3. Сместите сдвижную крышку в исходное положение до фиксации рычагом блокировки.

Для удаления гвоздей нажмите рычаг блокировки и сдвиньте крышку. Извлеките гвозди из магазина.

Адаптер головки

⚠ВНИМАНИЕ: Прежде чем устанавливать адаптер головки, всегда проверяйте, чтобы пальцы не находились на триггерном переключателе или на контактном элементе, а также чтобы блок аккумулятора был извлечен.

При забивании гвоздей в материал с легкоповреждаемой поверхностью используйте адаптер головки. Установите адаптер на заостренную сторону направляющей воротка.

Адаптер головки можно хранить в держателе в задней части магазина, чтобы не потерять его.

► **Рис.10:** 1. Адаптер головки 2. Направляющая воротка 3. Держатель

Крючок

⚠ВНИМАНИЕ: При установке крючка надежно фиксируйте его винтом. В противном случае крючок может отсоединиться от инструмента, что может привести к травме.

⚠ВНИМАНИЕ: Используйте детали для подвешивания и монтажа только по назначению. Использование этих деталей не по назначению может привести к несчастному случаю или травме.

⚠ВНИМАНИЕ: Не цепляйте крючок на поясной ремень. Падение гвоздезабивного пистолета в случае внезапного отсоединения крючка может стать причиной случайного срабатывания и нанесения травм.

► **Рис.11**

Крючок удобен для временного подвешивания инструмента. Он может быть установлен с любой стороны инструмента.

Для установки крючка вставьте его в паз в корпусе инструмента с одной из сторон и закрепите при помощи винта. Чтобы снять крючок, необходимо сначала отвернуть винт.

► **Рис.12:** 1. Паз 2. Крючок 3. Винт

Хранение шестигранного ключа

Когда шестигранный ключ не используется, храните его, как показано на рисунке, чтобы не потерять.

► **Рис.13:** 1. Шестигранный ключ

ЭКСПЛУАТАЦИЯ

Проверка системы защиты

⚠ОСТОРОЖНО: Перед началом эксплуатации проверьте исправность всех систем защиты. Несоблюдение этого требования может стать причиной травмы.

► **Рис.14:** 1. Кнопка блокировки триггерного переключателя 2. Триггерный переключатель 3. Контактный элемент 4. Магазин

Всегда проверяйте исправность систем защиты, как описано ниже, прежде чем начинать работу.

1. Извлеките гвозди из инструмента и оставьте магазин открытым.

2. Установите блок аккумулятора и отключите блокировку триггерного переключателя.

3. Потяните триггерный переключатель, убедившись, что контактный элемент не соприкасается с материалом.

4. Нажмите на контактный элемент, чтобы он соприкоснулся с материалом, не нажимая при этом триггерный переключатель.

Если инструмент срабатывает при соблюдении условий 3 или 4, описанных выше, системы защиты неисправны. Немедленно прекратите эксплуатацию

инструмента и обратитесь в местный сервисный центр.

Забивание гвоздей

⚠ОСТОРОЖНО: Не используйте этот гвоздезабивной пистолет для закрепления электрических кабелей. Он не предназначен для прокладки электрокабелей и может повредить их изоляцию, таким образом создавая опасность поражения электрическим током или возгорания.

⚠ОСТОРОЖНО: Плотно удерживайте контактный элемент на материале до полной установки гвоздя. Случайное срабатывание может привести к травмам.

⚠ВНИМАНИЕ: Во время работы крепко удерживайте инструмент.

1. Отключение блокировки триггерного переключателя.
 2. Ровно разместите контактный элемент на поверхности материала.
 3. Нажмите на триггерный переключатель до упора, чтобы забить гвоздь.
 4. Чтобы забить следующий гвоздь, уберите палец с триггерного переключателя, а затем повторите шаги 2 и 3, указанные выше.
- **Рис.15:** 1. Триггерный переключатель
2. Контактный элемент

Также гвозди можно забивать, перетаскивая инструмент на ближайшую область, при этом необходимо прижать контактный элемент к материалу и нажать на триггерный переключатель.

► **Рис.16**

Если верх гвоздя остался над поверхностью материала, забейте гвоздь, крепко прижимая головку гвоздезабивного пистолета к обрабатываемой детали.

► **Рис.17**

ПРИМЕЧАНИЕ: Если головка гвоздя все еще находится над поверхностью материала, даже если вы прижимаете ее с помощью головки гвоздезабивного пистолета, материал может не подходить для гвоздезабивного пистолета. Использование гвоздезабивного пистолета на таком материале может привести к повреждению воротка пистолета и/или к заклиниванию пистолета.

Механизм предотвращения "холостого выстрела"

⚠ОСТОРОЖНО: Прежде чем зарядить гвоздезабивной пистолет, уберите пальцы с триггерного переключателя или с контактного элемента, а также извлеките блок аккумулятора.

Если в магазине не осталось гвоздей, триггерный переключатель не нажимается. В этом случае следует загрузить в магазин новую обойму гвоздей. После этого триггерный переключатель снова будет срабатывать.

Проверка количества оставшихся гвоздей

Количество оставшихся гвоздей можно проверить через смотровое окно.

По мере уменьшения количества гвоздей красный индикатор будет перемещаться к выпускному отверстию.

► **Рис.18:** 1. Смотровое окно 2. Индикатор

Извлечение застрявших гвоздей

⚠ОСТОРОЖНО: Перед удалением застрявших гвоздей убедитесь в том, что переключатель отпущен, а блок аккумулятора и гвозди извлечены.

⚠ВНИМАНИЕ: Не удаляйте застрявшие гвозди голыми руками. Гвоздь может выпасть из магазина и причинить травму.

Снимите болты с шестигранными головками с направляющей воротка шестигранным ключом. Извлеките застрявшие гвозди из паза для подачи гвоздей шлицевой отверткой.

Зафиксируйте направляющую воротка болтами с шестигранными головками.

► **Рис.19:** 1. Направляющая воротка 2. Болт с шестигранной головкой

ПРИМЕЧАНИЕ: После закрепления направляющей воротка всегда проверяйте ее исправность. Если она не работает правильно, снимите болты с шестигранными головками и установите направляющую воротка повторно.

ОБСЛУЖИВАНИЕ

⚠ВНИМАНИЕ: Перед проведением проверки или работ по техобслуживанию всегда проверяйте, что инструмент выключен, а блок аккумулятора снят.

ПРИМЕЧАНИЕ: Запрещается использовать бензин, растворители, спирт и другие подобные жидкости. Это может привести к обезжелезиванию, деформации и трещинам.

Для обеспечения БЕЗОПАСНОСТИ и НАДЕЖНОСТИ оборудования ремонт, любое другое техобслуживание или регулировку необходимо производить в уполномоченных сервис-центрах Makita или сервис-центрах предприятия с использованием только сменных частей производства Makita.

Замена направляющей воротка

Дополнительная принадлежность

Замените стандартную направляющую воротка дополнительной направляющей воротка, предназначенной для работы с угловой рейкой.

1. Снимите болты с шестигранными головками с

направляющей воротка шестигранным ключом.

► **Рис.20:** 1. Болт с шестигранной головкой

2. Снимите стандартную направляющую воротка, потянув ее вниз.

► **Рис.21:** 1. Стандартная направляющая воротка

3. Установите дополнительную направляющую воротка. Для этого введите ее с усилием снизу вверх в паз направляющей.

► **Рис.22:** 1. Дополнительная направляющая воротка 2. Паз направляющей

4. Зафиксируйте дополнительную направляющую воротка болтами с шестигранными головками.

► **Рис.23:** 1. Болт с шестигранной головкой

ДОПОЛНИТЕЛЬНЫЕ ПРИНАДЛЕЖНОСТИ

⚠ ВНИМАНИЕ: Данные принадлежности или приспособления рекомендуются для использования с инструментом Makita, указанным в настоящем руководстве. Использование других принадлежностей или приспособлений может привести к получению травмы. Используйте принадлежность или приспособление только по указанному назначению.

Если вам необходимо содействие в получении дополнительной информации по этим принадлежностям, свяжитесь с вашим сервис-центром Makita.

- Гвозди
- Направляющая воротка (для работы с угловой рейкой)
- Оригинальный аккумулятор и зарядное устройство Makita

ПРИМЕЧАНИЕ: Некоторые элементы списка могут входить в комплект инструмента в качестве стандартных приспособлений. Они могут отличаться в зависимости от страны.

Makita Europe N.V.

Jan-Baptist Vinkstraat 2, 3070 Kortenberg, Belgium

Makita Corporation

3-11-8, Sumiyoshi-cho, Anjo, Aichi 446-8502 Japan

www.makita.com



885861C982
EN, SV, NO, FI, DA,
LV, LT, ET, RU
20241016