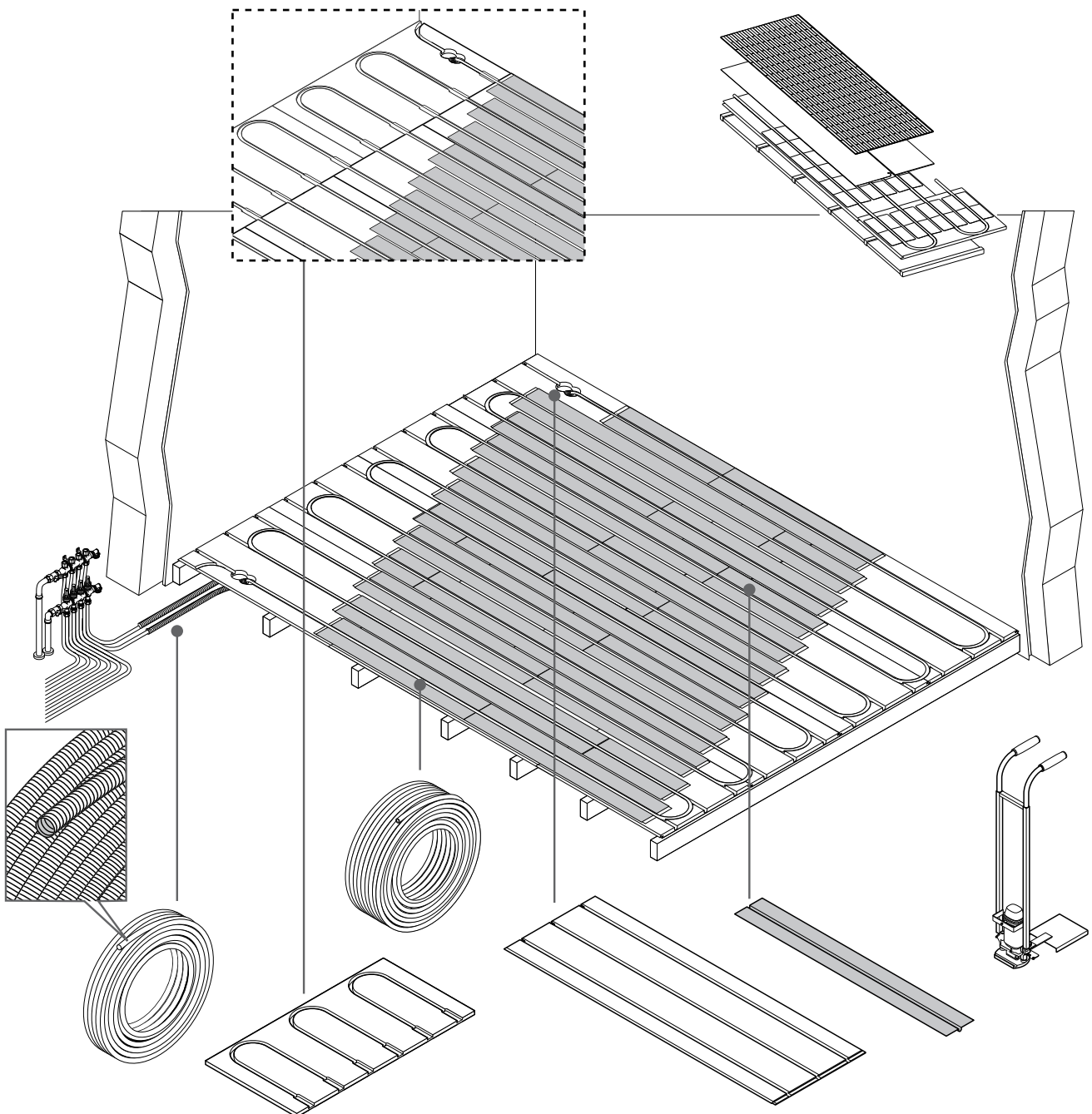


## Uponor Tignum 17

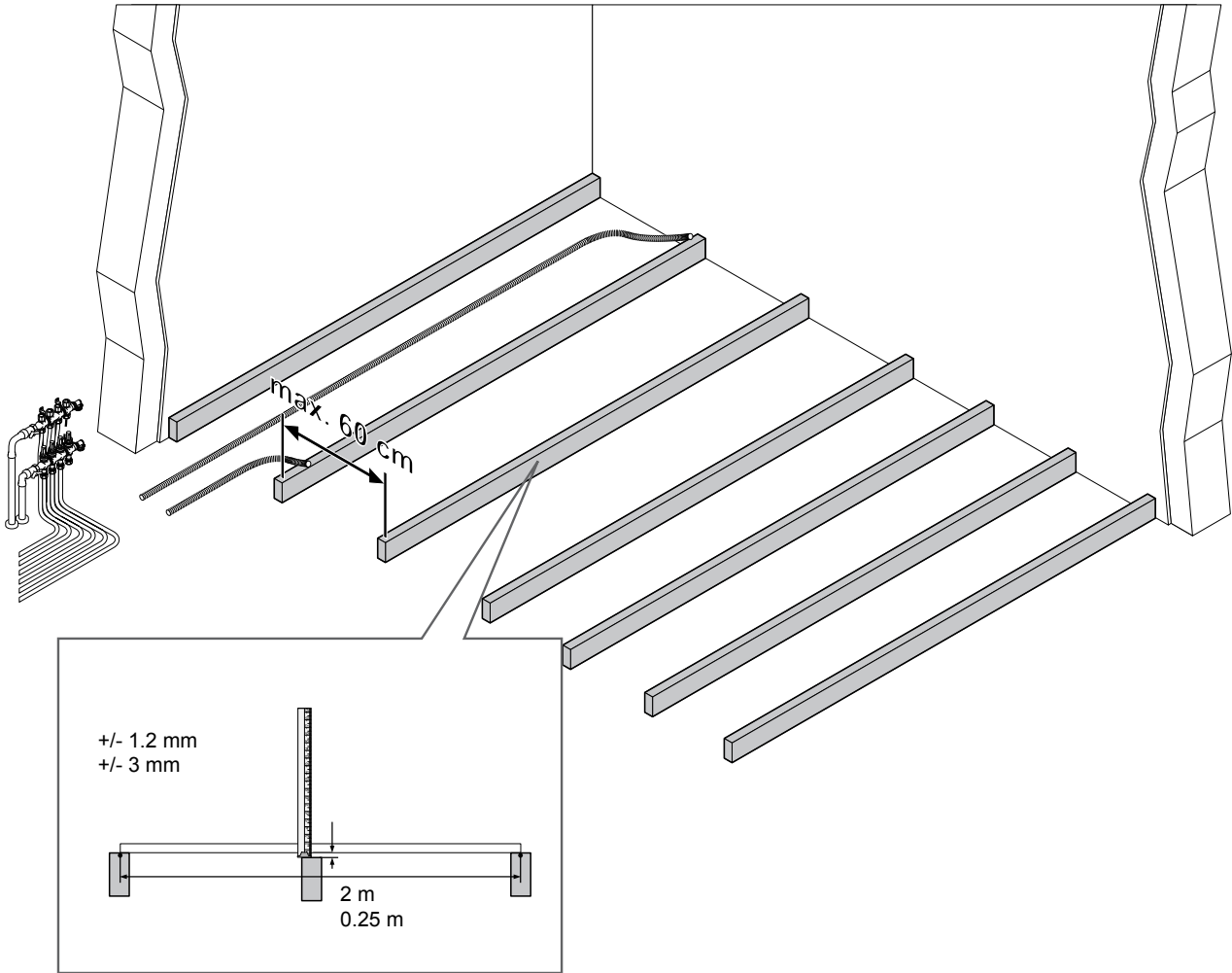


Valid by July 2020

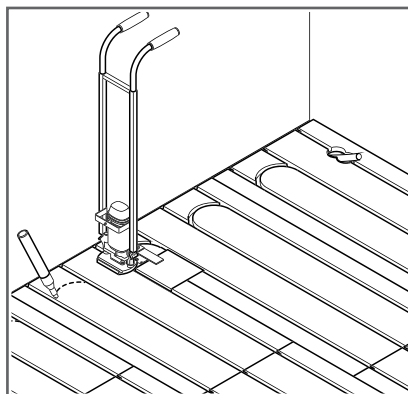
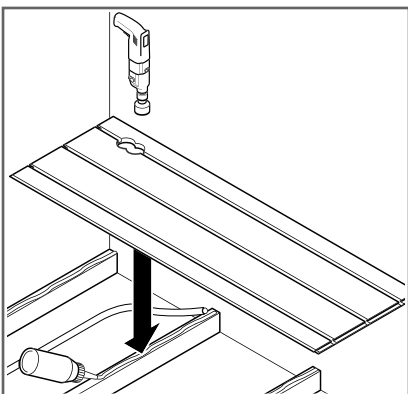




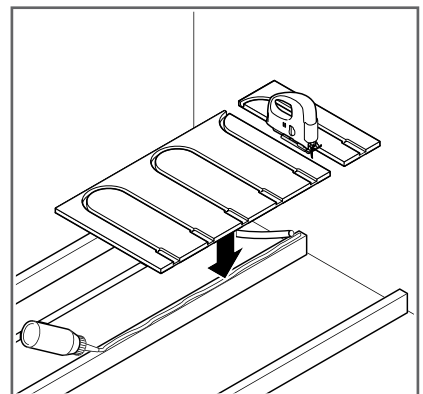
1



A



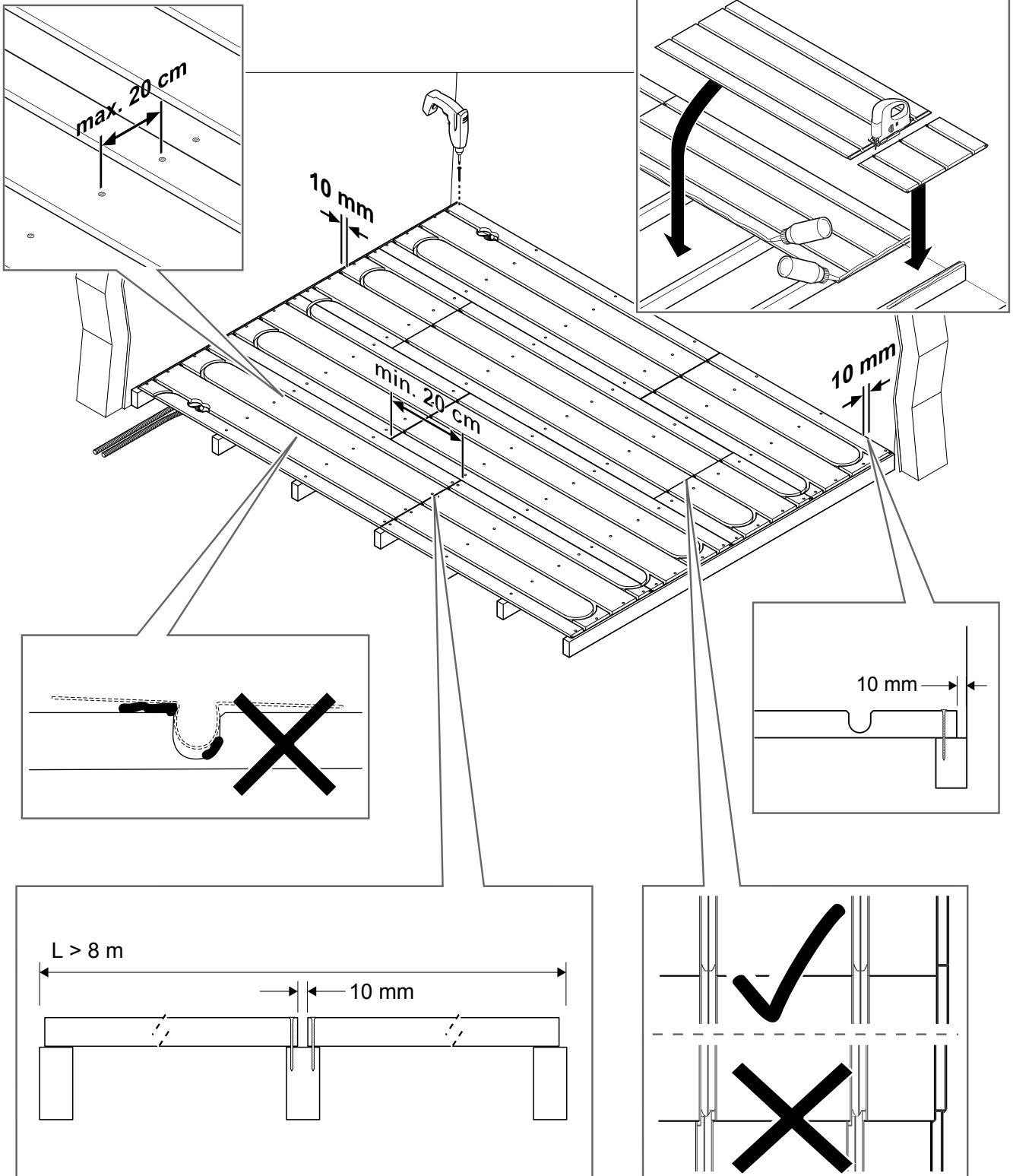
B



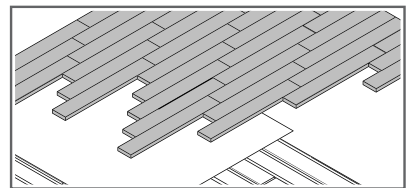
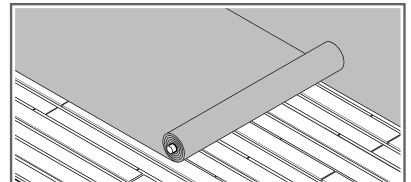
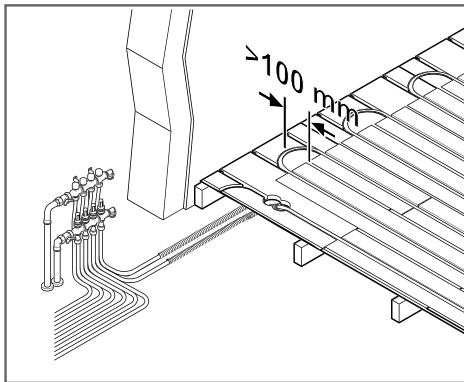
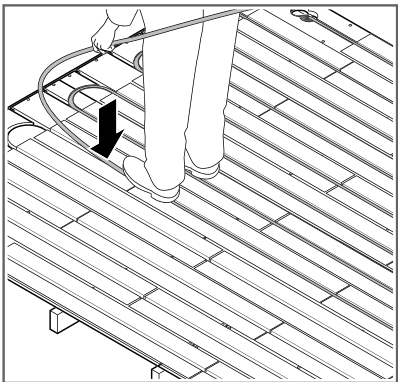
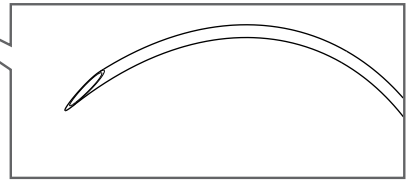
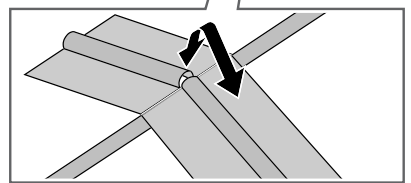
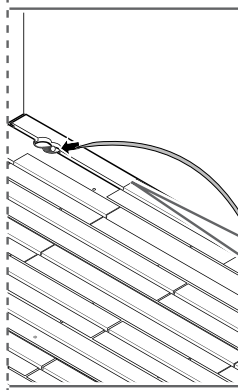
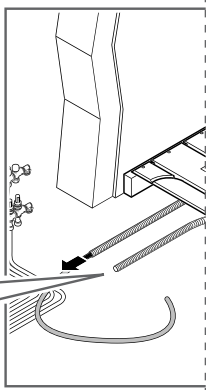
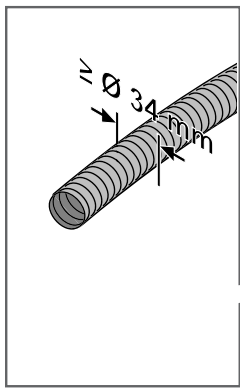
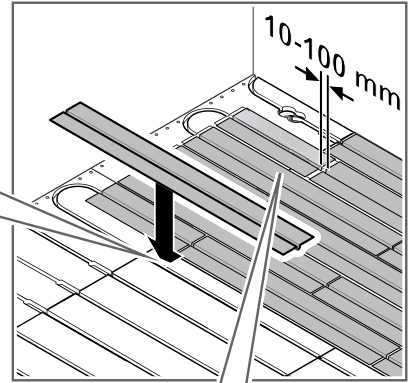
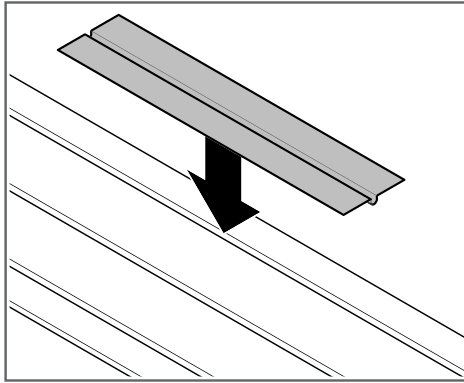
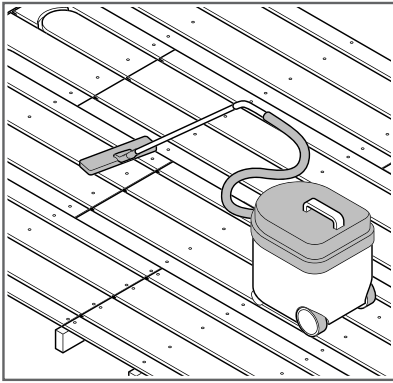
S10000315



2



SI0000316



S0000317

## Uponor Corporation

Äyritie 20  
01510 Vantaa, Finland

1107838 v1\_05-2020\_INT  
Production: Uponor/ELO

Uponor reserves the right to make changes, without prior notification, to the specification of incorporated components in line with its policy of continuous improvement and development.



[www.uponor.com](http://www.uponor.com)